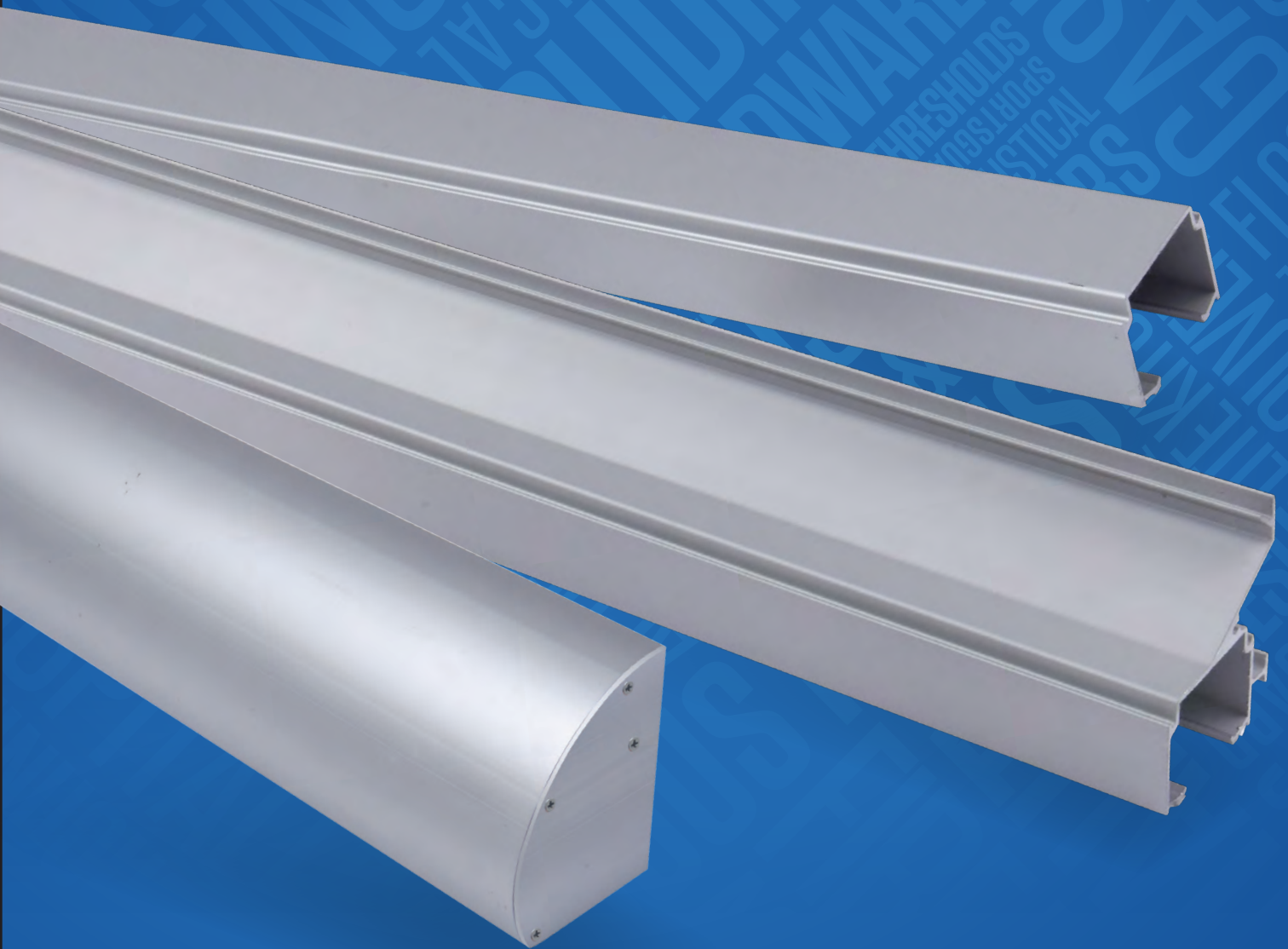




# SLIDING DOOR

— HARDWARE —





## SLIDING DOOR HARDWARE INDEX:

	Page
<b>Aluminum:</b>	
Bi-Fold Sliding Door Hardware .....	SL2
Bi-Parting Sliding Door Hardware .....	SL7
By-Passing Sliding Door Hardware .....	SL1, SL3
Side Wall Mount Sliding Door Hardware .....	SL4
Pocket Door Hardware .....	SL5
Pocket Door Hardware with Frame Kit .....	SL6
<b>Stainless Steel:</b>	
Barn Door Hardware — Side Mount .....	SL9
Barn Door Hardware — Top Mount .....	SL8
<b>Accessories:</b>	
Drywall Spacer for Stainless Steel Track .....	SL11
Sliding Door Hardware Accessories .....	SL10
Soft Close for Aluminum Sliding Door Hardware .....	SL12

## NUMERICAL INDEX:

SC .....	SL12	SLAL-75-BP .....	SL1	SLSS1-6-SC .....	SL8
SCBY .....	SL12	SLAL-250-BP .....	SL3	SLSS1-8 .....	SL8
SL-BCCG .....	SL10	SLAL-250-PD .....	SL5, SL7	SLSS1-8-SC .....	SL8
SL-RD .....	SL4	SLAL-250-PDKIT .....	SL6	SLSS2-6 .....	SL9
SL-SQ18 .....	SL4	SLAL-250-SW .....	SL4	SLSS2-6-SC .....	SL9
SL-SQ20 .....	SL3, SL5, SL7	SLSS-FG .....	SL10	SLSS2-8 .....	SL9
SL-WG .....	SL10	SLSS-DWS-6 .....	SL11	SLSS2-8-SC .....	SL9
SLAL-75-BF2DR .....	SL2	SLSS-DWS-8 .....	SL11	SWBP-BRKT .....	SL11
SLAL-75-BF4DR .....	SL2	SLSS1-6 .....	SL8		

## RATING SYMBOLS LEGEND



ANSI/BHMA CERTIFIED. Certified sliding door hardware complies with American National Standard for Sliding and Folding Door Hardware ANSI/BHMA A156.14, and is listed in the BHMA Certified Products Directory.

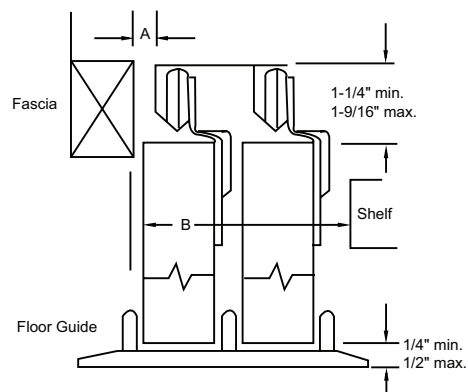
# BY-PASS

## SLIDING DOOR HARDWARE

### ALUMINUM SIDE MOUNT TRACK SYSTEM

- Designed for Multi-family Applications
- Up to 1 3/8" Doors
- Max Weight Load 75 lbs.
- 5-year Warranty

SKU	TRACK LENGTH
SLAL-75-BP-48	48"
SLAL-75-BP-60	60"
SLAL-75-BP-72	72"
SLAL-75-BP-96	96"



DOOR THICKNESS	3/4"	1 3/8"
DIMENSION A	0"	7/8"
DIMENSION B	2 3/4"	4"

#### Complete Kits Include:

- (1) Track
- (1) Floor Guide With Steel Bracket
- (2) Front Hangers
- (2) Back Hangers
- (2) Brass Pulls
- (2) Chrome Pulls

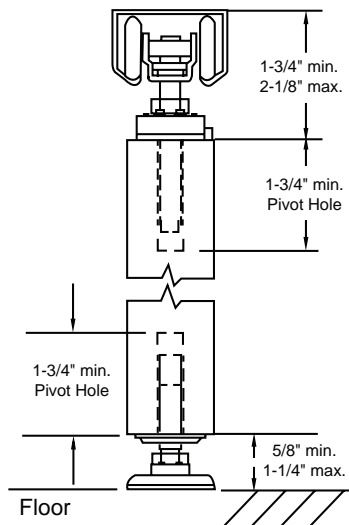


# BI-FOLD

## SLIDING DOOR HARDWARE

### ALUMINUM TOP MOUNT TRACK SYSTEM

- ▶ Designed for Multi-family Applications
- ▶ 1<sup>3</sup>/<sub>8</sub>" To 1<sup>3</sup>/<sub>4</sub>" Doors
- ▶ Max Weight Load 75 lbs.
- ▶ 5-year Warranty



### TWO DOOR SYSTEMS

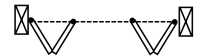


SKU	TRACK LENGTH
SLAL-75-BF2DR-36	36"
SLAL-75-BF2DR-48	48"

#### Two Door Complete Kits Include:

- |                  |                   |
|------------------|-------------------|
| (1) Track        | (1) Aligner       |
| (1) Top Pivot    | (1) Wood Knob     |
| (1) Bottom Pivot | (4) Brass Hinges  |
| (1) Roller       | (4) Chrome Hinges |
| (1) Snugger      |                   |

### FOUR DOOR SYSTEMS



SKU	TRACK LENGTH
SLAL-75-BF4DR-60	60"
SLAL-75-BF4DR-72	72"
SLAL-75-BF4DR-96	96"

#### Four Door Complete Kits Include:

- |                   |                   |
|-------------------|-------------------|
| (1) Track         | (2) Aligners      |
| (2) Top Pivots    | (2) Wood Knobs    |
| (2) Bottom Pivots | (8) Brass Hinges  |
| (2) Rollers       | (8) Chrome Hinges |
| (2) Snuggers      |                   |

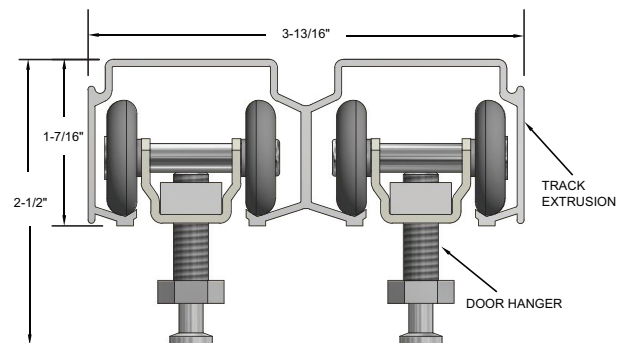
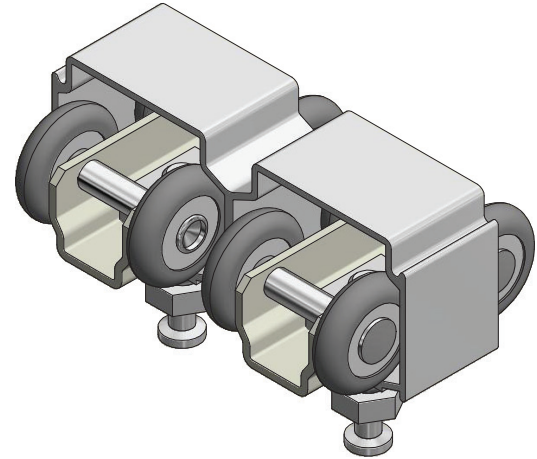
# BY-PASS

## SLIDING DOOR HARDWARE

### ALUMINUM TOP MOUNT TRACK SYSTEM

- ▶ Commercial Grade for 1 $\frac{3}{8}$ " To 1 $\frac{3}{4}$ " Doors
- ▶ Max Weight Load 250 lbs.
- ▶ ANSI/BHMA A156.14 Grade 1 Certified to 100,000 Cycles Including Soft Close Feature
- ▶ Hangers with Heavy Duty Ball Bearing Wheels
- ▶ 5-Year Warranty

SKU	TRACK LENGTH
SLAL-250-BP-48	48"
SLAL-250-BP-60	60"
SLAL-250-BP-72	72"
SLAL-250-BP-96	96"
SLAL-250-BP-144	144"

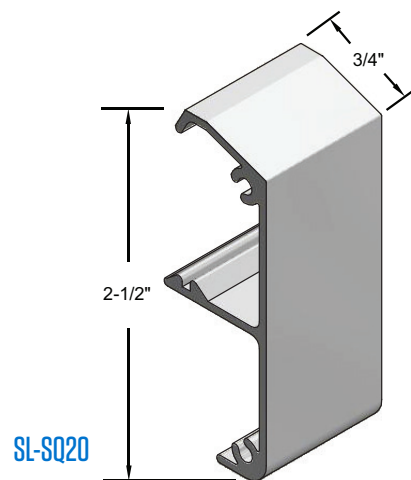


#### Complete Kits Include:

- (1) Track – Clear Anodized
- (2) Universal Hardware Packs,  
Each Consist Of:
  - (2) Ball Bearing Heavy Duty Hangers
  - (2) Snap-In Door Brackets
  - (2) In-Track Stops
  - (1) Angle Stop
  - (1) Bumper Stop
  - (1) Door Guide
  - Heavy Duty Floor Guides

#### OPTIONS:

- ▶ Soft Close / Open – Specify “SCBY”  
For Both Directions Order (2) Sets SCBY
- ▶ Bottom Channel Guide SL-BCG (Page SL10)
- ▶ Snap-On Fascia (SL-SQ20) – Clear Anodized –  
*Shown Right*
- ▶ Sidewall Mount Brackets SWBP-BRKT (Page SL10)



Includes End Caps

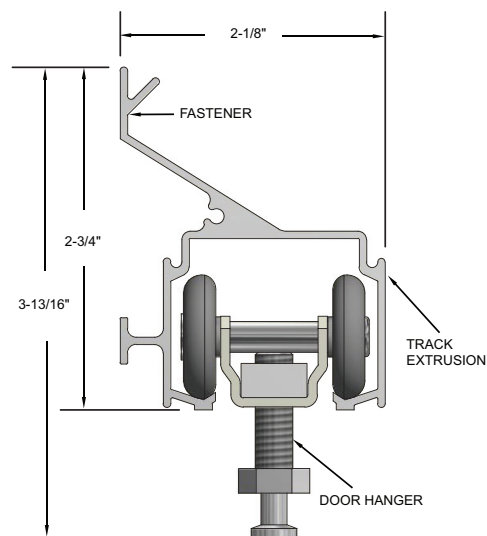
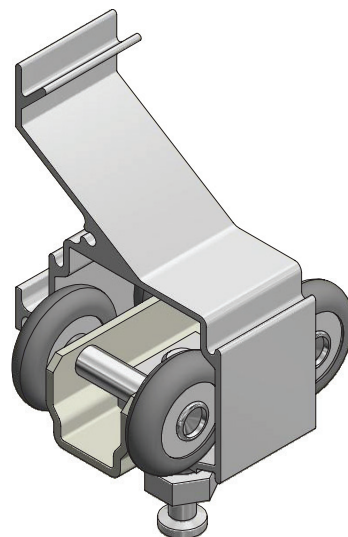
# SIDE WALL MOUNT

## SLIDING DOOR HARDWARE

### ALUMINUM TOP MOUNT TRACK SYSTEM

- Commercial Grade for 1 $\frac{3}{8}$ " To 1 $\frac{3}{4}$ " Doors
- Max Weight Load 250 lbs.
- ANSI/BHMA A156.14 Grade 1 Certified to 100,000 Cycles Including Soft Close Feature
- Hangers with Heavy Duty Ball Bearing Wheels
- $\frac{3}{8}$ " Clearance Between Wall and Door on 1 $\frac{3}{4}$ " Thick Doors
- 5-year Warranty

SKU	TRACK LENGTH
SLAL-250-SW-48	48"
SLAL-250-SW-60	60"
SLAL-250-SW-72	72"
SLAL-250-SW-96	96"
SLAL-250-SW-144	144"

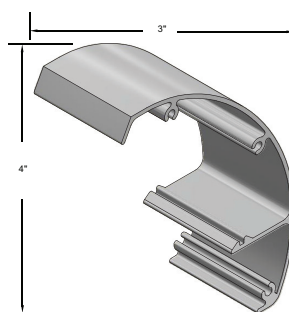


#### Complete Kits Include:

- (1) Track – Clear Anodized
- (1) Universal Hardware Pack, Consists Of:
  - (2) Ball Bearing Heavy Duty Hangers
  - (2) Snap-In Door Brackets
  - (2) In-Track Stops
  - (1) Angle Stop
  - (1) Bumper Stop
  - (1) Door Guide
  - Heavy Duty Floor Guides

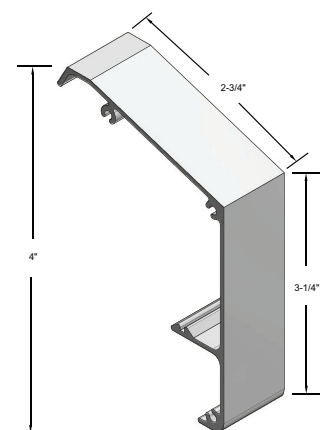
#### OPTIONS:

- Soft Close / Open – Specify “SC” For Both Directions Order (2) SC
- Wall Mounted Guide SL-WG – included in Universal Hardware Pack (page SL10)
- Bottom Channel Guide SL-BCG (page SL10)
- Snap-on Fascias – Clear Anodized – Shown Right



SL-RD

Includes End Caps



SL-SQ18

# POCKET DOOR

## SLIDING DOOR HARDWARE

### ALUMINUM TOP MOUNT TRACK SYSTEM

- ▶ Commercial Grade for 1 $\frac{3}{8}$ " To 1 $\frac{3}{4}$ " Doors
- ▶ Max Weight Load 250 lbs.
- ▶ ANSI/BHMA A156.14 Grade 1 Certified to 100,000 Cycles Including Soft Close Feature
- ▶ Hangers with Heavy Duty Ball Bearing Wheels
- ▶ 5-Year Warranty

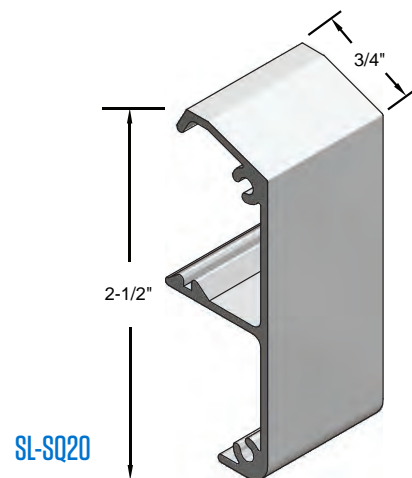
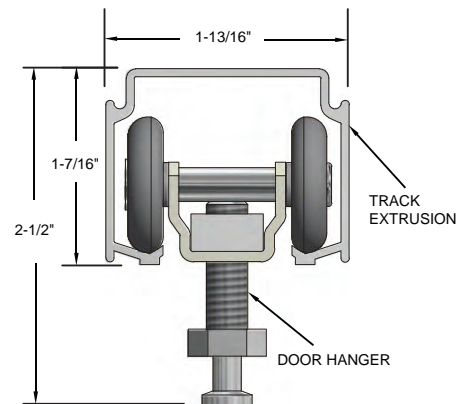
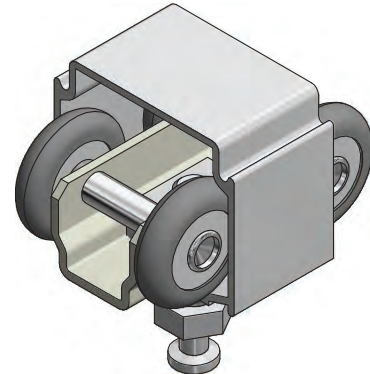
SKU	TRACK LENGTH
SLAL-250-PD-48	48"
SLAL-250-PD-60	60"
SLAL-250-PD-72	72"
SLAL-250-PD-96	96"
SLAL-250-PD-144	144"

#### Complete Kits Include:

- (1) Track – Clear Anodized
- (1) Universal Hardware Pack, Consists Of:
  - (2) Ball Bearing Heavy Duty Hangers
  - (2) Snap-In Door Brackets
  - (2) In-Track Stops
  - (1) Angle Stop
  - (1) Bumper Stop
  - (1) Door Guide
  - Heavy Duty Floor Guides

#### OPTIONS:

- ▶ Soft Close / Open – Specify "SC"  
For Both Directions Order (2) SC
- ▶ Wall Mounted Guide SL-WG (page SL10)
- ▶ Bottom Channel Guide SL-BCG (page SL10)
- ▶ Snap-On Fascia (SL-SQ20) – Clear Anodized – Shown Right



Includes End Caps

# POCKET DOOR

## SLIDING DOOR HARDWARE FRAME KIT

### ALUMINUM TOP MOUNT TRACK SYSTEM

- ▶ Commercial Grade for 1 $\frac{3}{8}$ " To 1 $\frac{3}{4}$ " Doors
- ▶ Frames Accommodate 2'0" - 3'0" x 6'8" - 9'0" Doors
- ▶ Max Weight Load 250 lbs.
- ▶ ANSI/BHMA A156.14 Grade 1 Certified to 100,000 Cycles Including Soft Close Feature
- ▶ Hangers with Heavy Duty Ball Bearing Wheels
- ▶ 5-year Warranty
- ▶ Patent Pending
- ▶ Available for 48" Doors – Specify SLAL-250-PDKIT-48"DR
- ▶ Available for 2 x 6 Wall Construction – Specify SLAL-250-PDKIT-6
- ▶ Available for 2 x 6 Wall Construction 48" Doors – Specify SLAL-PDKIT-6-48"

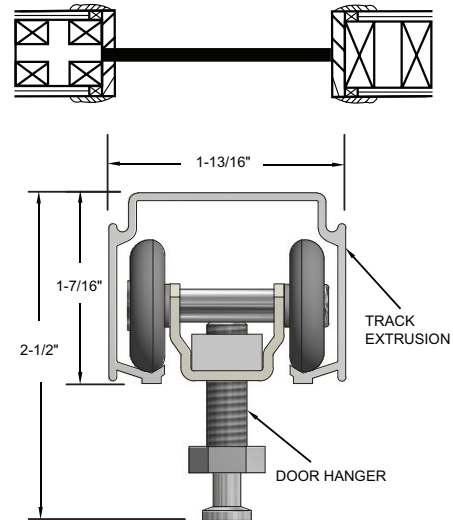
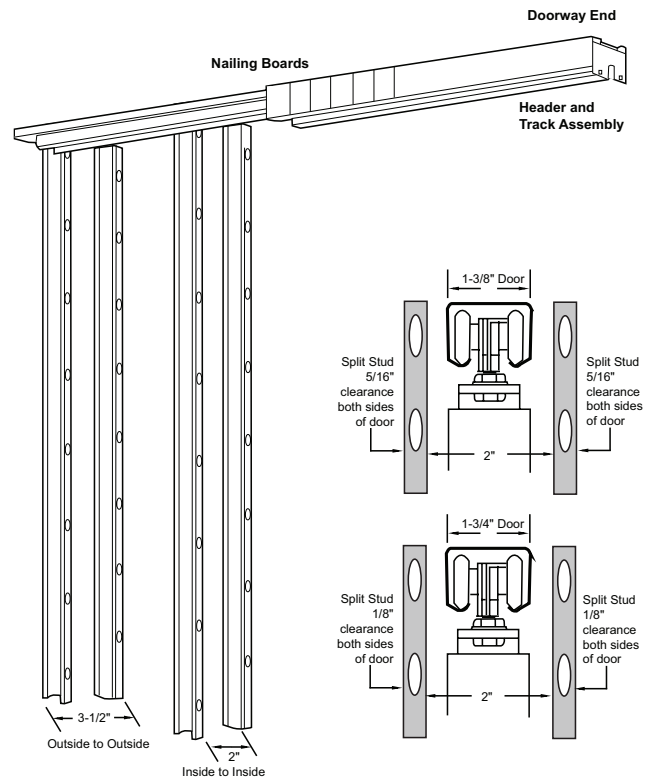


SKU	TRACK LENGTH
SLAL-250-PDKIT	N/A

Order two sets for Bi-Parting applications

#### Complete Kits Include:

- (1) 73" Header Track Assembly
- (1) Universal Hardware Pack, Consists Of:
  - (2) Ball Bearing Heavy Duty Hangers
  - (2) Snap-In Door Brackets
  - (2) In-Track Stops
  - (1) Angle Stop
  - (1) Bumper Stop
  - (1) Door Guide
  - Heavy Duty Floor Guides
- (1) Pocket Frame Kit
  - (4) Jamb Stiffeners
  - (4) Jamb Stiffener Extensions
  - (4) Jamb Splice Brackets
  - (2) Floor Brackets
  - (1) End Bracket



#### OPTIONS:

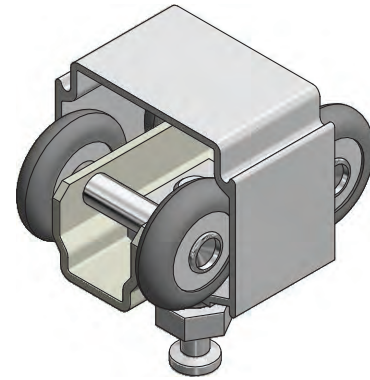
- ▶ Soft Close / Open – Specify "SC"  
For Both Directions Order (2) SC
- ▶ Floor Guide SLSS-FG
- ▶ Bottom Channel Guide SL-BCG (page SL10)

# BI-PARTING

## SLIDING DOOR HARDWARE

### ALUMINUM TOP MOUNT TRACK SYSTEM

- ▶ Commercial Grade for 1 $\frac{3}{8}$ " To 1 $\frac{3}{4}$ " Doors
- ▶ Max Weight Load 250 lbs.
- ▶ ANSI/BHMA A156.14 Grade 1 Certified to 100,000 Cycles Including Soft Close Feature
- ▶ Hangers with Heavy Duty Ball Bearing Wheels
- ▶ 5-Year Warranty



SKU	TRACK LENGTH
SLAL-250-PD-48	48"
SLAL-250-PD-60	60"
SLAL-250-PD-72	72"
SLAL-250-PD-96	96"

### Order two sets for Bi-Parting applications

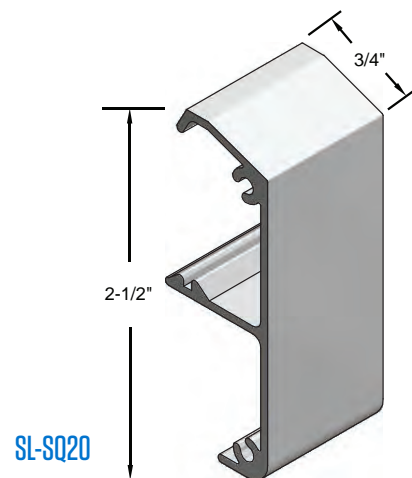
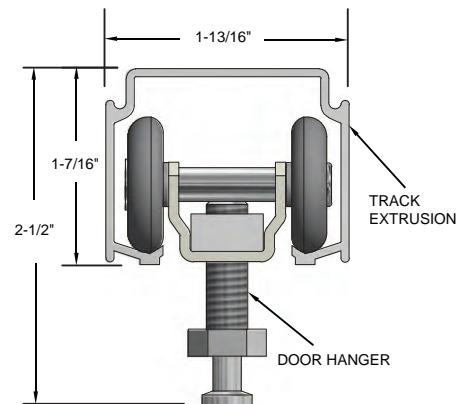
#### Complete Kits Include:

- (1) Track - Clear Anodized
- (1) Universal Hardware Pack, Consists Of:
  - (2) Ball Bearing Heavy Duty Hangers
  - (2) Snap-In Door Brackets
  - (2) In-Track Stops
  - (1) Angle Stop
  - (1) Bumper Stop
  - (1) Door Guide
  - Heavy Duty Floor Guides

For Bi-Parting Frame Kits – refer to page SL6

### OPTIONS:

- ▶ Soft Close / Open – specify “SC”  
For Both Directions Order (2) SC for Each Track Set
- ▶ Wall Mounted Guide SL-WG (page SL10)
- ▶ Bottom Channel Guide SL-BCG (page SL10)
- ▶ Snap-On Fascia (SL-SQ20) – Clear Anodized – Shown Right



Includes End Caps

# BARN DOOR TOP MOUNT

## SLIDING DOOR HARDWARE

- ▶ Fits 1" To 2" Thick Door Panel
- ▶ Brushed Stainless Steel 304
- ▶ Side Wall Mount
- ▶ Nylon Coated Stainless Steel Wheels for Smooth Operation
- ▶ Max Weight Load 220 lbs.
- ▶ ANSI/BHMA A156.14 Grade 1 Certified to 100,000 Cycles Including Soft Close Feature
- ▶ 5 year Warranty
- ▶ Order Two Sets for Bi-parting Applications



### STAINLESS STEEL TOP MOUNT ROUND TRACK SYSTEM

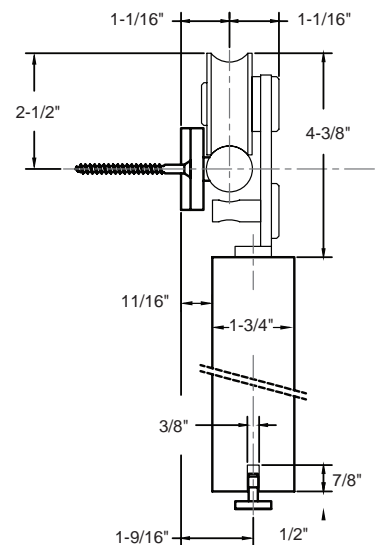
SKU	TRACK LENGTH
SLSS1-6	78 3/4"
SLSS1-8	98 7/16"

#### Complete Kits Include:

- |             |                 |
|-------------|-----------------|
| (1) Track   | (2) Door Stops  |
| (2) Hangers | (1) Floor Guide |

SLSS1-6 includes: (5) Wall Attachments

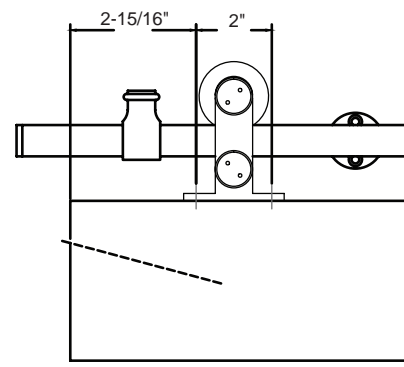
SLSS1-8 includes: (6) Wall Attachments



### STAINLESS STEEL TOP MOUNT ROUND TRACK SYSTEM (WITH SOFT CLOSE)

SKU	TRACK LENGTH
SLSS1-6-SC*	78 3/4"
SLSS1-8-SC*	98 7/16"

\* Soft Close / Open Hardware is Included for Both Directions in Addition to the SLSS1-6 and SLSS1-8 Complete Kit Contents



# BARN DOOR SIDE MOUNT

## SLIDING DOOR HARDWARE

- ◆ Fits 1 3/8" To 1 3/4" Thick Door Panel
- ◆ Brushed Stainless Steel 304
- ◆ Side Wall Mount
- ◆ Nylon Coated Stainless Steel Wheels for Smooth Operation
- ◆ Max Weight Load 220 lbs.
- ◆ ANSI/BHMA A156.14 Grade 1 Certified to 100,000 Cycles Including Soft Close Feature
- ◆ 5 year Warranty
- ◆ Order Two Sets for Bi-parting Applications



### STAINLESS STEEL SIDE MOUNT ROUND TRACK SYSTEM

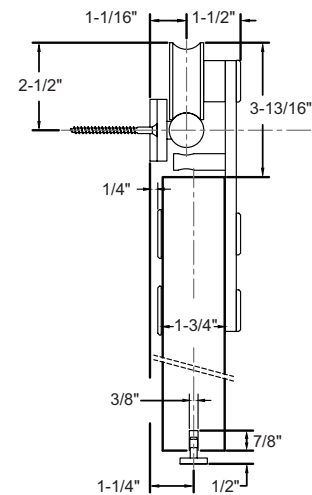
SKU	TRACK LENGTH
SLSS2-6	78 3/4"
SLSS2-8	98 7/16"

#### Complete Kits Include:

- |             |                 |
|-------------|-----------------|
| (1) Track   | (2) Door Stops  |
| (2) Hangers | (1) Floor Guide |

SLSS2-6 includes: (5) Wall Attachments

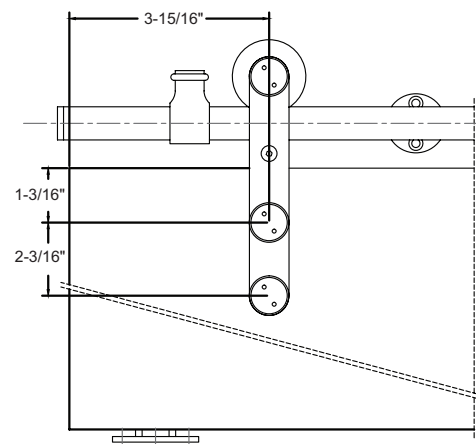
SLSS2-8 includes: (6) Wall Attachments



### STAINLESS STEEL SIDE MOUNT ROUND TRACK SYSTEM (WITH SOFT CLOSE)

SKU	TRACK LENGTH
SLSS2-6-SC*	78 3/4"
SLSS2-8-SC*	98 7/16"

\* Soft Close / Open Hardware is Included for Both Directions in Addition to the SLSS2-6 and SLSS2-8 Complete Kit Contents



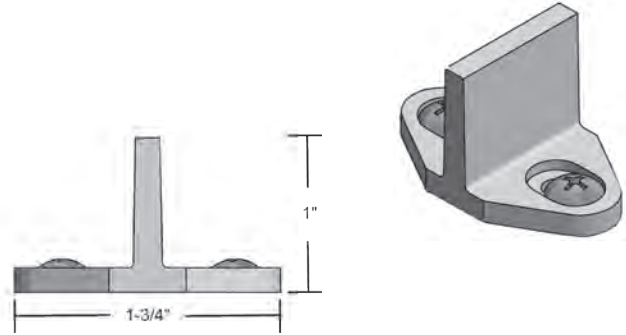
# ACCESSORIES

## SLIDING DOOR HARDWARE

### FLOOR GUIDE

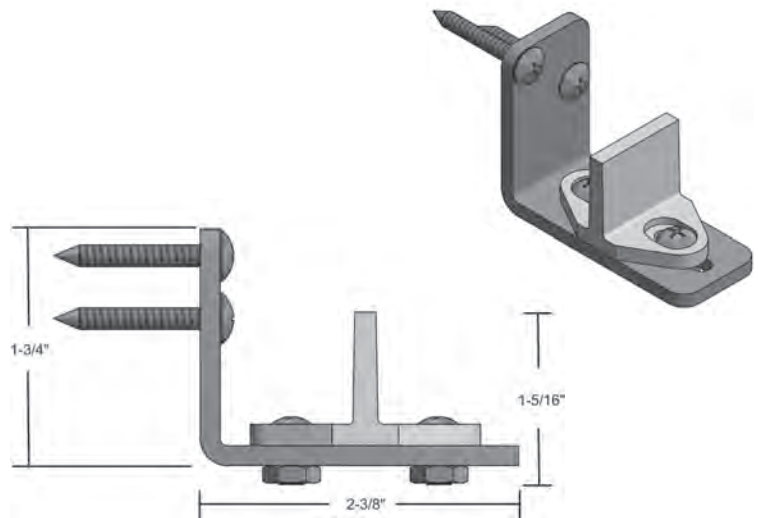
- Furnished Standard with Stainless Steel and Commercial Grade Aluminum Sliding Door Hardware Sets

SKU	MATERIAL/FINISH
SLSS-FG	Aluminum Dark Bronze Powder Coat



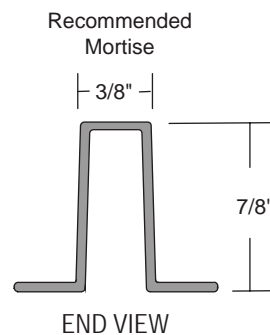
### WALL MOUNTED GUIDE

SKU	MATERIAL/FINISH
SL-WG	Aluminum Floor Guide on Steel Bracket Dark Bronze Powder Coat #8-18 x 1-1/4" Truss Head Self-Tapping Screws



### BOTTOM CHANNEL GUIDE

SKU	MATERIAL/LENGTH/COLOR
SL-BCC	Polypropylene 60" Dark Brown



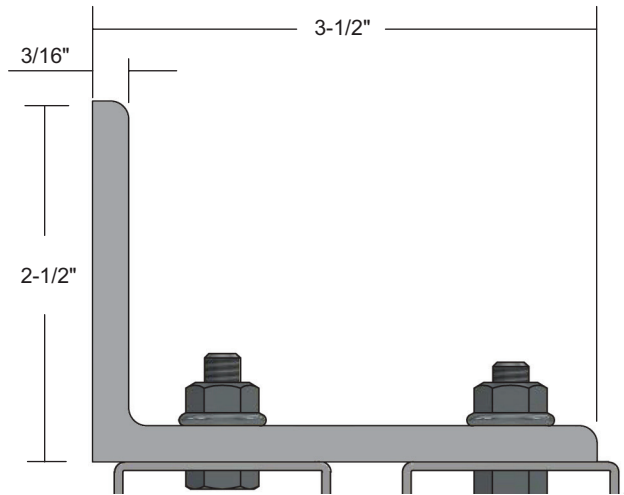
# ACCESSORIES

## SLIDING DOOR HARDWARE

### SIDEWALL MOUNT BY-PASS BRACKET

SKU	MATERIAL/LENGTH/COLOR
SWBP-BRKT	3/16" Steel Gray Finish

Use 3" from each end and not more than 24" on center

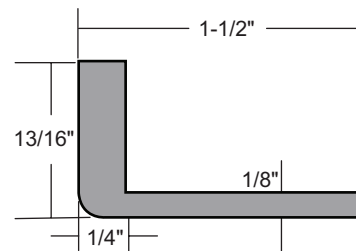


Fasteners not furnished

### SIDEWALL MOUNT LOW-PROFILE BRACKET

SKU	MATERIAL/LENGTH/COLOR
SWPD-LPBRKT	1 5/8" Length Mill Finish Aluminum

Use 3" from each end and not more than 24" on center



# SOFT CLOSE

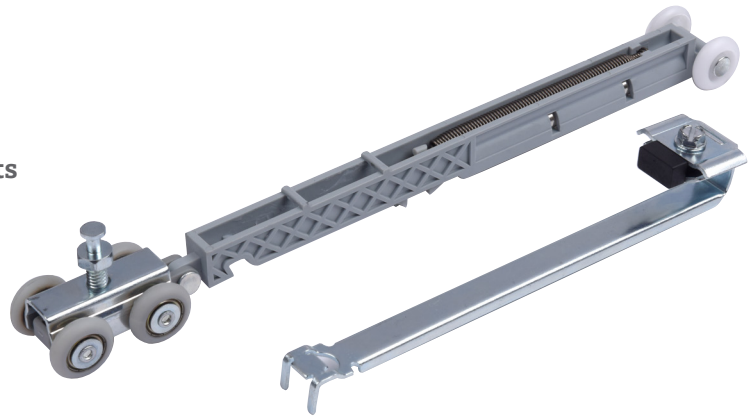
## FOR ALUMINUM SLIDING DOOR HARDWARE

### FEATURES:

#### SC

##### For Single Sliding Aluminum Hardware Sets

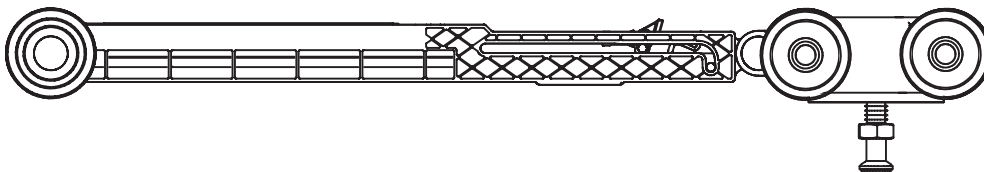
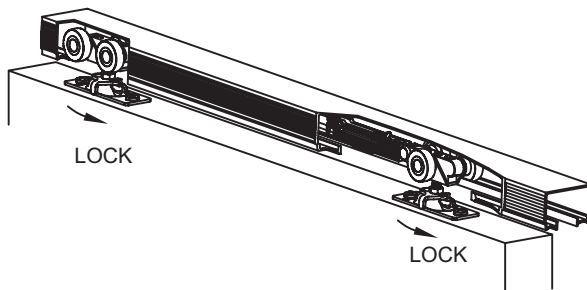
- ▶ Slows travel of the door to softly close
- ▶ Soft Close for Single Sliding Aluminum Hardware Sets
- ▶ For Both Directions Order (2) SC



#### SCBY

##### For By-Pass Sliding Aluminum Hardware Sets

- ▶ Slows travel of the door to softly close
- ▶ Set of (2) Soft Close for By-Pass Sliding Aluminum Hardware Sets
- ▶ For Both Directions Order (2) Sets SCBY

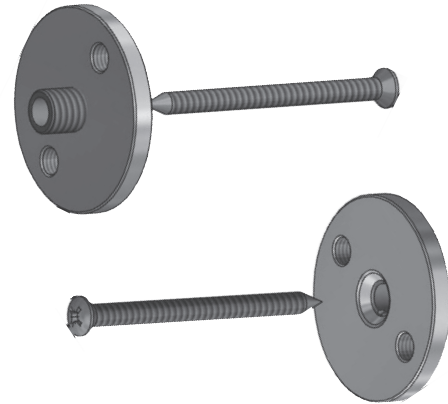


# DRYWALL SPACER

## FOR STAINLESS STEEL TRACK

### FEATURES:

- ▶ Spacer Kits Include Two Sizes of Spacers  
Allowing Installation Directly to the Blocking  
Behind the Drywall
- ▶ The Finished Stainless Steel Plate  
Accepts Mounting of the SLSS Track



SKU	# OF SPACERS/TRACK LENGTH
SLSS-DWS-6	5 Total Spacers/6' Track
SLSS-DWS-8	6 Total Spacers/8' Track

