



SLIDING

ALUMINUM & STAINLESS
SLIDING DOOR HARDWARE





SLIDING DOOR HARDWARE INDEX

	Page
Aluminum	
Bi-Fold Sliding Door Hardware	SL4, SL5
Bi-Parting Sliding Door Hardware.....	SL8, SL10, SL11, SL12
By-Pass Sliding Door Hardware.....	SL2, SL3, SL6, SL7
Side Wall Mount Sliding Door Hardware	SL8, SL9
Pocket Door Hardware	SL10
Pocket Door Hardware Frame Kit.....	SL11, SL12
Stainless Steel	
Barn Door Hardware — Side Mount.....	SL14
Barn Door Hardware — Top Mount.....	SL13
Flat Track — Side Mount.....	SL16
Flat Track — Top Mount	SL15
Accessories	
Drywall Spacers.....	SL20
Pocket Door Kit-7'-9' Extension Kit.....	SL21
Sliding Door Hardware Accessories.....	SL17-SL23
Sliding Door Hardware Adapter Kit	SL22
Sliding Door Hardware Converging Kit.....	SL23
Soft-Close for Aluminum Sliding Door Hardware	SL19

NUMERICAL INDEX

SC.....	SL19	SL-SQ18.....	SL8	SLAL-250-PDKIT-6.....	SL11
SC-LITE.....	SL19	SL-SQ20.....	SL6, SL10	SLAL-250-PDKIT-6-48".....	SL11
SCBY.....	SL19	SL-SQ22.....	SL9	SLAL-250-PDKIT-6-EXT.....	SL12
SCBY-LITE.....	SL19	SL-SQ24.....	SL9	SLAL-250-PDK-6-EXT48".....	SL12
SL-BCG.....	SL17	SL-WG.....	SL17	SLAL-250-PDKIT-6M.....	SL11
SL-RD.....	SL8	SLAL-CNVG-KIT.....	SL22	SLAL-250-PDKT-6M-48".....	SL11
SL-BLFT-DWS.....	SL20	SLAL EXT KIT.....	SL21	SLAL-250-PDKT-6M-EXT.....	SL12
SL-BLFT1-6.....	SL15	SLAL EXT KIT 48"DR.....	SL21	SLAL-250-PK-6M-EXT48.....	SL12
SL-BLFT1-6-SC.....	SL15	SLAL-134-KIT.....	SL22	SLAL-250-SW.....	SL8
SL-BLFT1-8.....	SL15	SLAL-75-BF2DR.....	SL4	SLAL-250-SWLP.....	SL9
SL-BLFT1-8-SC.....	SL15	SLAL-75-BF4DR.....	SL4	SLSS-FG.....	SL17
SL-BLFT2-6.....	SL16	SLAL-75-BP.....	SL2	SLSS-DWS-6.....	SL20
SL-BLFT2-6-SC.....	SL16	SLAL-75-BPF.....	SL3	SLSS-DWS-8.....	SL20
SL-BLFT2-8.....	SL16	SLAL-125-BF2DR.....	SL5	SLSSI-6.....	SL13
SL-BLFT2-8-SC.....	SL16	SLAL-125-BF4DR.....	SL5	SLSSI-6-SC.....	SL13
SL-SNFT-DWS.....	SL20	SLAL-250-BP-2DR.....	SL6	SLSSI-8.....	SL13
SL-SNFT1-6.....	SL15	SLAL-250-BP-4DR.....	SL6	SLSSI-8-SC.....	SL13
SL-SNFT1-6-SC.....	SL15	SLAL-250-BPF-2DR.....	SL7	SLSS2-6.....	SL14
SL-SNFT1-8.....	SL15	SLAL-250-BPF-4DR.....	SL7	SLSS2-6-SC.....	SL14
SL-SNFT1-8-SC.....	SL15	SLAL-250-PD.....	SL10	SLSS2-8.....	SL14
SL-SNFT2-6.....	SL16	SLAL-250-PDKIT.....	SL11	SLSS2-8-SC.....	SL14
SL-SNFT2-6-SC.....	SL16	SLAL-250-PDKIT-EXT.....	SL12	SWBP-BRKT.....	SL18
SL-SNFT2-8.....	SL16	SLAL-250-PDKT-EXT-48.....	SL12	SWPD-LPBRKT.....	SL18
SL-SNFT2-8-SC.....	SL16	SLAL-250-PDKIT-48"DR.....	SL11		

RATING SYMBOLS LEGEND



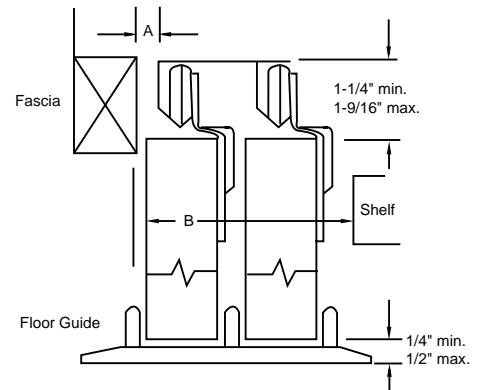
ANSI/BHMA CERTIFIED. Certified sliding door hardware complies with American National Standard for Sliding and Folding Door Hardware ANSI/BHMA A156.14, and is listed in the BHMA Certified Products Directory.

BY-PASS

SIDE MOUNT TRACK SYSTEM

- ▶ Designed for Multi-Family Applications
- ▶ Up to 1 3/8" Doors
- ▶ For Sliding Doors up to 75 lbs. Each
- ▶ Meets ADA Push Force Requirements
- ▶ 5-Year Warranty

SKU	TRACK LENGTH
SLAL-75-BP-48	46 1/2"
SLAL-75-BP-60	58 1/2"
SLAL-75-BP-72	70 1/2"
SLAL-75-BP-96	94 1/2"



DOOR THICKNESS	3/4"	1 3/8"
DIMENSION A	0"	7/8"
DIMENSION B	2 3/4"	4"

Complete Kits Include:

- (1) Track
- (1) Floor Guide With Steel Bracket
- (2) Front Hangers
- (2) Back Hangers
- (2) Brass Pulls
- (2) Chrome Pulls



BY-PASS WITH FASCIA

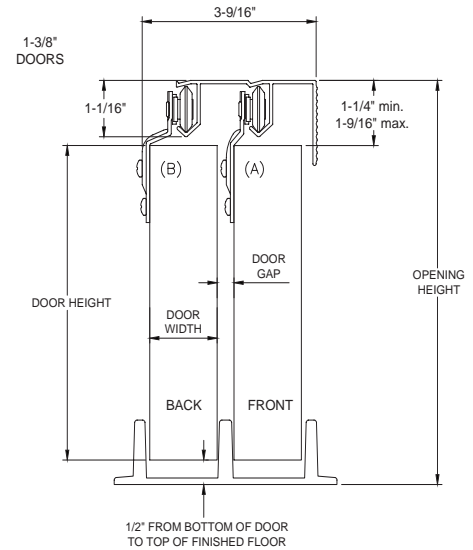
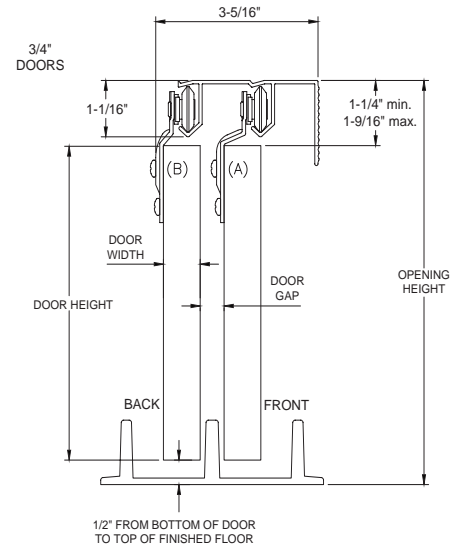
SIDE MOUNT TRACK SYSTEM

- ▶ Designed for Multi-Family Applications
- ▶ Up to 1 3/8" Doors
- ▶ For Sliding Doors up to 75 lbs. Each
- ▶ Meets ADA Push Force Requirements
- ▶ 5-Year Warranty

SKU	TRACK LENGTH
SLAL-75-BPF-48	48"
SLAL-75-BPF-60	60"
SLAL-75-BPF-72	72"
SLAL-75-BPF-96	96"

Complete Kits Include:

- (1) Track
- (1) Floor Guide With Steel Bracket
- (2) Front Hangers
- (2) Back Hangers
- (2) Brass Pulls
- (2) Chrome Pulls



BI-FOLD

TOP MOUNT TRACK SYSTEM

- Designed for Multi-Family Applications
- 1 $\frac{3}{8}$ " To 1 $\frac{3}{4}$ " Doors
- For Folding Doors up to 24" Wide and up to 75 lbs. Each
- Meets ADA Push Force Requirements
- 5-Year Warranty

TWO-DOOR SYSTEMS

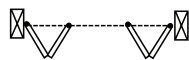


SKU	TRACK LENGTH
SLAL-75-BF2DR-36	36"
SLAL-75-BF2DR-48	48"

Two-Door Complete Kits Include:

- (1) Track
- (1) Top Pivot
- (1) Bottom Pivot
- (1) Roller
- (1) Snugger
- (1) Aligner
- (1) Wood Knob
- (4) Brass Hinges
- (4) Chrome Hinges

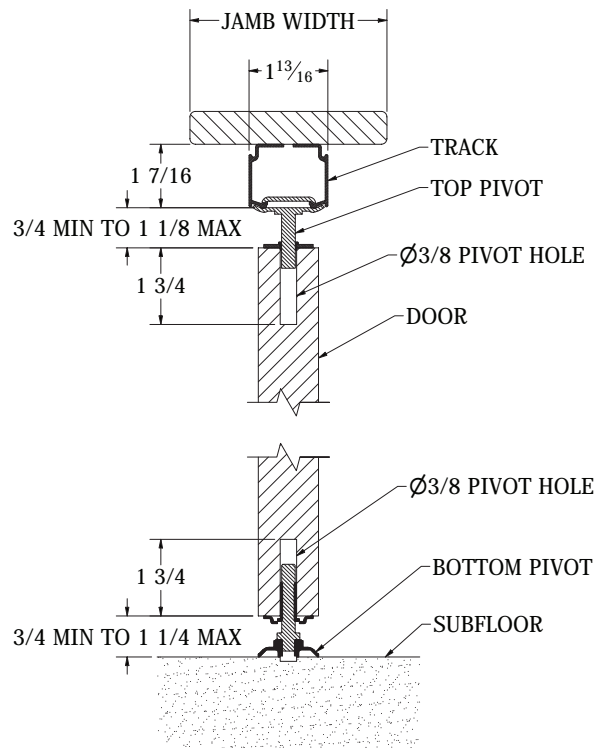
FOUR-DOOR SYSTEMS



SKU	TRACK LENGTH
SLAL-75-BF4DR-60	60"
SLAL-75-BF4DR-72	72"
SLAL-75-BF4DR-96	96"

Four-Door Complete Kits Include:

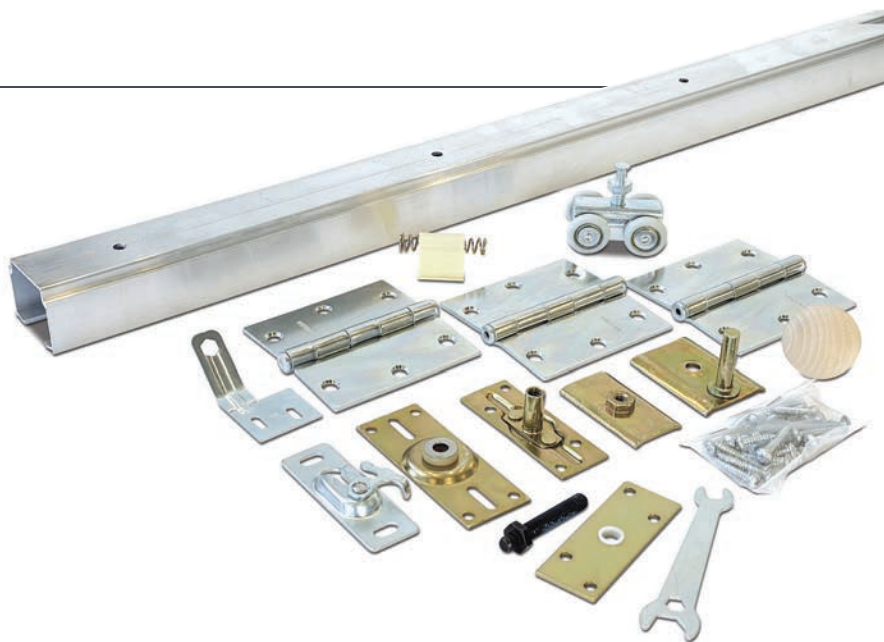
- (1) Track
- (2) Top Pivots
- (2) Bottom Pivots
- (2) Rollers
- (2) Snuggers
- (2) Aligners
- (2) Wood Knobs
- (8) Brass Hinges
- (8) Chrome Hinges



BI-FOLD

TOP MOUNT TRACK SYSTEM

- For Use with 1 3/4" Thick Doors
- For Folding Doors up to 36" Wide and up to 125 lbs. Each
- Meets ADA Push Force Requirements
- 5-Year Warranty



TWO-DOOR SYSTEMS

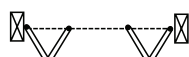


SKU	TRACK LENGTH
SLAL-125-BF2DR-48	48"
SLAL-125-BF2DR-60	60"
SLAL-125-BF2DR-72	72"

Two-Door Complete Kits Include:

- | | |
|------------------|-------------------|
| (1) Track | (1) Snagger |
| (1) Top Pivot | (1) Aligner |
| (1) Bottom Pivot | (1) Wood Knob |
| (1) Roller | (3) Chrome Hinges |

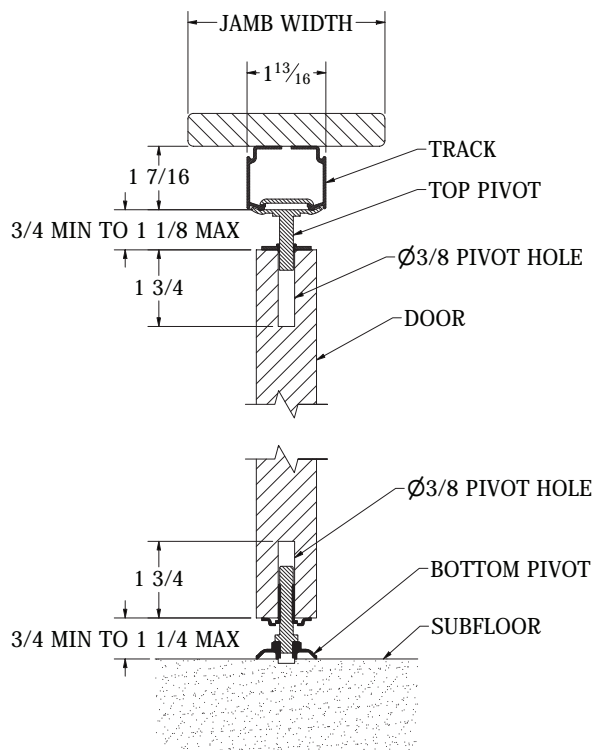
FOUR-DOOR SYSTEMS



SKU	TRACK LENGTH
SLAL-125-BF4DR-48	48"
SLAL-125-BF4DR-60	60"
SLAL-125-BF4DR-72	72"
SLAL-125-BF4DR-96	96"
SLAL-125-BF4DR-144	2 at 72"

Four-Door Complete Kits Include:

- | | |
|-------------------|-------------------|
| (1) Track | (2) Snaggers |
| (2) Top Pivots | (2) Aligners |
| (2) Bottom Pivots | (2) Wood Knobs |
| (2) Rollers | (6) Chrome Hinges |



TOP MOUNT TRACK SYSTEM

- Commercial Grade for 1 $\frac{3}{8}$ " To 1 $\frac{3}{4}$ " Doors
- For Sliding Doors up to 250 lbs. Each
- ANSI/BHMA A156.14 Grade 1 Certified to 100,000 Cycles Including Soft-Close Feature
- Hangers With Heavy-Duty Ball Bearing Wheels
- Meets ADA Push Force Requirements
- 5-Year Warranty

TWO-DOOR SYSTEMS

SKU	TRACK LENGTH
SLAL-250-BP-2DR-48	48"
SLAL-250-BP-2DR-60	60"
SLAL-250-BP-2DR-72	72"
SLAL-250-BP-2DR-96	96"
SLAL-250-BP-2DR-144	144"

Complete Kits Include:

- (1) Track – Mill Finish
- (2) Universal Hardware Packs, Each Consists Of:
 - (2) Ball Bearing Heavy-Duty Hangers
 - (2) Snap-In Door Brackets
 - (2) In-Track Stops
 - (1) Angle Stop
 - (1) Bumper Stop
 - (1) Door Guide
- Heavy-Duty Floor Guides

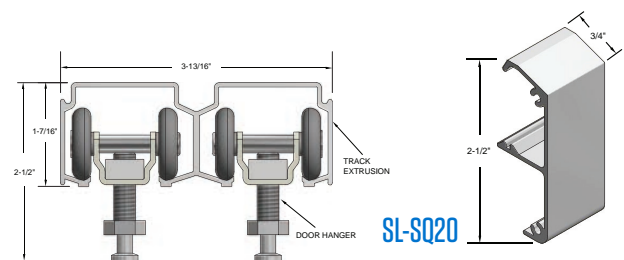


FOUR-DOOR SYSTEMS

SKU	TRACK LENGTH
SLAL-250-BP-4DR-48	48"
SLAL-250-BP-4DR-60	60"
SLAL-250-BP-4DR-72	72"
SLAL-250-BP-4DR-96	96"
SLAL-250-BP-4DR-144	144"

Complete Kits Include:

- (1) Track – Mill Finish
- (4) Universal Hardware Packs, Each Consists Of:
 - (2) Ball Bearing Heavy-Duty Hangers
 - (2) Snap-In Door Brackets
 - (2) In-Track Stops
 - (1) Angle Stop
 - (1) Bumper Stop
 - (1) Door Guide
- Heavy-Duty Floor Guides



OPTIONS:

- Soft-Close / Open – Specify “SCBY”
For Both Directions Order (2) Sets “SCBY” for Doors 120 lbs.-150 lbs. Each
- Light-Duty Soft-Close / Open - Specify “SCBY-LITE”
Both Directions Order (2) “SCBY-LITE” for Doors 65 lbs.-115 lbs. Each
- Bottom Channel Guide “SL-BCG” (Page SL17)
- Snap-On Fascia “SL-SQ20” – Clear Anodized – Shown Above
- Sidewall Mount Brackets “SWBP-BRKT” (Page SL18)

BY-PASS WITH FASCIA



TOP MOUNT TRACK SYSTEM

- Commercial Grade for 1 $\frac{3}{8}$ " To 1 $\frac{3}{4}$ " Doors
- For Sliding Doors up to 250 lbs. Each
- ANSI/BHMA A156.14 Grade 1 Certified to 100,000 Cycles Including Soft-Close Feature
- Hangers With Heavy-Duty Ball Bearing Wheels
- Meets ADA Push Force Requirements
- 5-Year Warranty

TWO-DOOR SYSTEMS

SKU	TRACK LENGTH
SLAL-250-BPF-2DR-48	48"
SLAL-250-BPF-2DR-60	60"
SLAL-250-BPF-2DR-72	72"
SLAL-250-BPF-2DR-96	96"
SLAL-250-BPF-2DR-144	144"

Complete Kits Include:

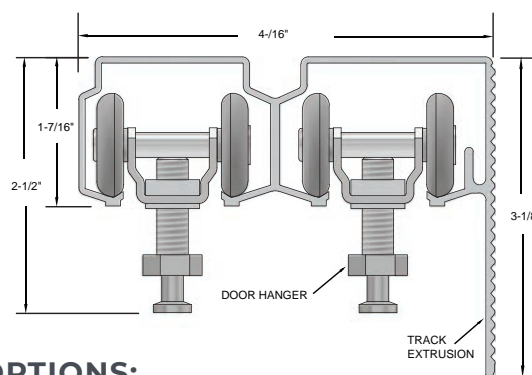
- (1) Track – Mill Finish
- (2) Universal Hardware Packs, Each Consists Of:
 - (2) Ball Bearing Heavy-Duty Hangers
 - (2) Snap-In Door Brackets
 - (2) In-Track Stops
 - (1) Angle Stop
 - (1) Bumper Stop
 - (1) Door Guide
- Heavy-Duty Floor Guides

FOUR-DOOR SYSTEMS

SKU	TRACK LENGTH
SLAL-250-BPF-4DR-48	48"
SLAL-250-BPF-4DR-60	60"
SLAL-250-BPF-4DR-72	72"
SLAL-250-BPF-4DR-96	96"
SLAL-250-BPF-4DR-144	144"

Complete Kits Include:

- (1) Track – Mill Finish
- (4) Universal Hardware Packs, Each Consists Of:
 - (2) Ball Bearing Heavy-Duty Hangers
 - (2) Snap-In Door Brackets
 - (2) In-Track Stops
 - (1) Angle Stop
 - (1) Bumper Stop
 - (1) Door Guide
- Heavy-Duty Floor Guides



OPTIONS:

- Soft-Close / Open – Specify “SCBY”
For Both Directions Order (2) Sets “SCBY” for Doors 120 lbs.-150 lbs. Each
- Light-Duty Soft-Close / Open - Specify “SCBY-LITE”
Both Directions Order (2) “SCBY-LITE” for Doors 65 lbs.-115 lbs. Each
- Bottom Channel Guide “SL-BCG” (Page SL17)
- Sidewall Mount Brackets “SWBP-BRKT” (Page SL18)

SIDE WALL MOUNT



TOP MOUNT TRACK SYSTEM

- ▶ Commercial Grade for 1 $\frac{3}{8}$ " To 1 $\frac{3}{4}$ " Doors
- ▶ For Sliding Doors up to 250 lbs. Each
- ▶ ANSI/BHMA A156.14 Grade 1 Certified to 100,000 Cycles Including Soft-Close Feature
- ▶ Hangers With Heavy-Duty Ball Bearing Wheels
- ▶ $\frac{3}{8}$ " Clearance Between Wall and Door on 1 $\frac{3}{4}$ " Thick Doors
- ▶ Meets ADA Push Force Requirements
- ▶ 5-Year Warranty

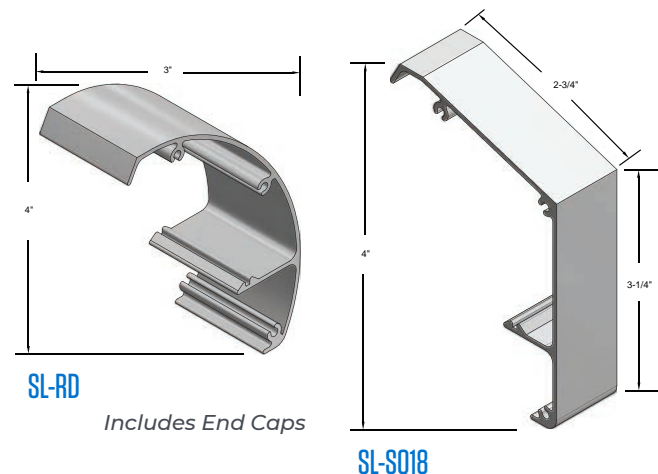
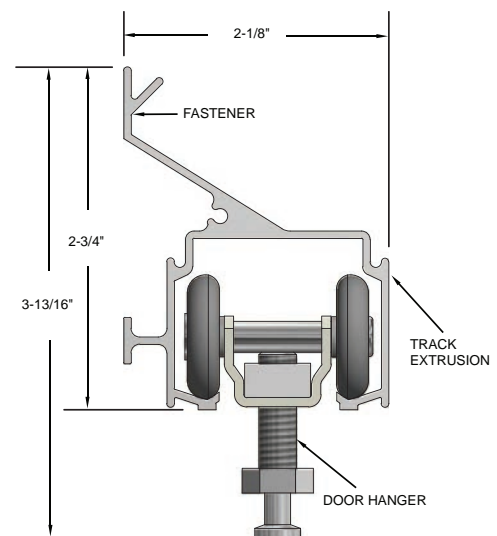
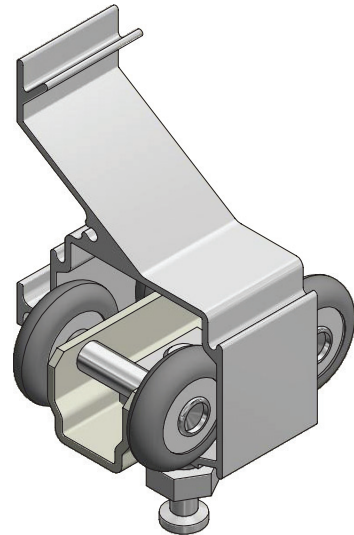
SKU	TRACK LENGTH
SLAL-250-SW-48	48"
SLAL-250-SW-60	60"
SLAL-250-SW-72	72"
SLAL-250-SW-96	96"
SLAL-250-SW-144	144"

Complete Kits Include:

- (1) Track – Mill Finish
- (1) Universal Hardware Pack, Consists Of:
 - (2) Ball Bearing Heavy-Duty Hangers
 - (2) Snap-In Door Brackets
 - (2) In-Track Stops
 - (1) Angle Stop
 - (1) Bumper Stop
 - (1) Door Guide
 - Heavy-Duty Floor Guides

OPTIONS:

- ▶ Soft-Close / Open – Specify "SC"
For Both Directions Order "SCBY" for Doors 120 lbs.-150 lbs. Each
- ▶ Light-Duty Soft-Close / Open - Specify "SC-LITE"
For Both Directions Order "SCBY-LITE" for Doors 65 lbs.-115 lbs. Each
- ▶ Wall Mounted Guide "SL-WG" – included in Universal Hardware Pack (Page SL17)
- ▶ Bottom Channel Guide "SL-BCG" (Page SL17)
- ▶ Snap-On Fascia "SL-RD, SL-SQ18" - Clear Anodized – Shown Right



SIDE WALL MOUNT LOW PROFILE



TOP MOUNT TRACK SYSTEM

- Commercial Grade for 1 $\frac{3}{8}$ " To 1 $\frac{3}{4}$ " Doors
- For Sliding Doors up to 250 lbs. Each
- Hangers With Heavy-Duty Ball Bearing Wheels
- $\frac{3}{8}$ " Clearance Between Wall and Door on 1 $\frac{3}{4}$ " Thick Doors
- Meets ADA Push Force Requirements
- 5-Year Warranty

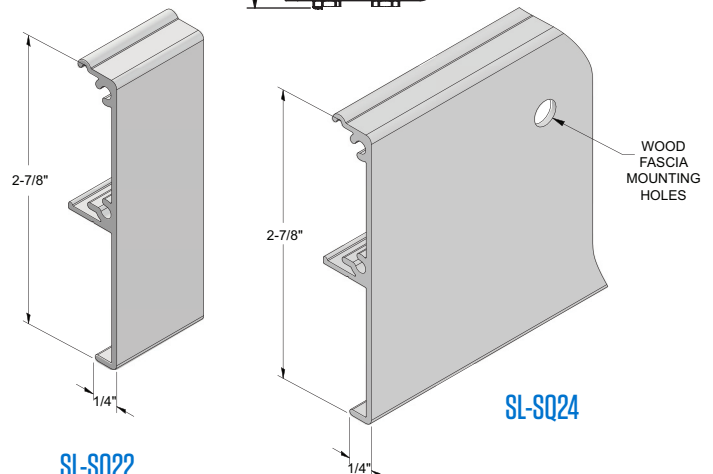
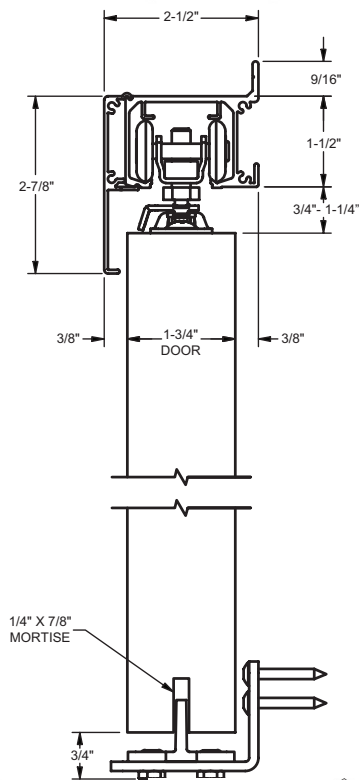
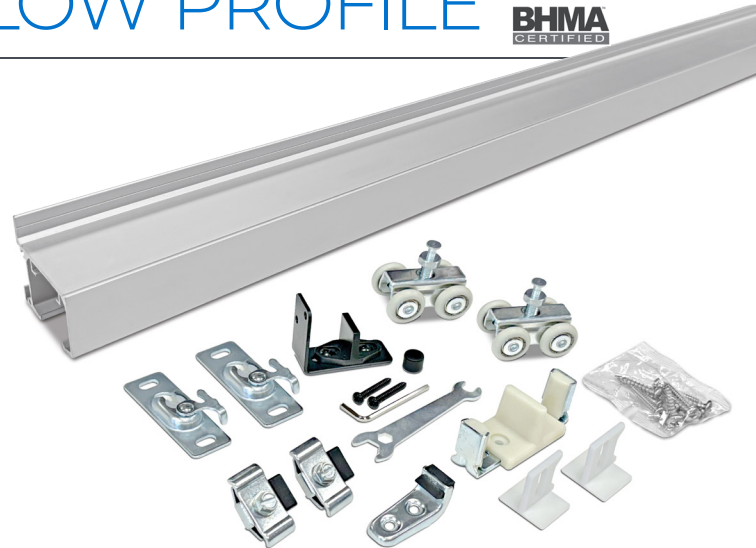
SKU	TRACK LENGTH
SLAL-250-SWLP-60	60"
SLAL-250-SWLP-72	72"
SLAL-250-SWLP-96	96"
SLAL-250-SWLP-144	144"

Complete Kits Include:

- (1) Track – Clear Anodized Aluminum
- (1) Universal Hardware Pack, Consists Of:
 - (2) Ball Bearing Heavy-Duty Hangers
 - (2) Snap-In Door Brackets
 - (2) In-Track Stops
 - (1) Angle Stop
 - (1) Bumper Stop
 - (1) Door Guide
 - Heavy-Duty Floor Guides

OPTIONS:

- Soft-Close / Open – Specify "SC" For Both Directions Order "SCBY" for Doors 120 lbs.-150 lbs. Each
- Light-Duty Soft-Close / Open - Specify "SC-LITE" For Both Directions Order "SCBY-LITE" for Doors 65 lbs.-115 lbs. Each
- Wall Mounted Guide "SL-WG" – included in Universal Hardware Pack (Page SL17)
- Bottom Channel Guide "SL-BCG" (Page SL17)
- Snap-On Fascia *Shown Right*. End Caps Included with Fascia. SL-SQ22 Clear Anodized Fascia and SL-SQ24 Mill Finished Fascia with Holes for Mounting Wooden Valance by Others.



POCKET DOOR



TOP MOUNT TRACK SYSTEM

- Commercial Grade for 1 $\frac{3}{8}$ " To 1 $\frac{3}{4}$ " Doors
- For Sliding Doors up to 250 lbs. Each
- ANSI/BHMA A156.14 Grade 1 Certified to 100,000 Cycles Including Soft-Close Feature
- Hangers With Heavy-Duty Ball Bearing Wheels
- Meets ADA Push Force Requirements
- 5-Year Warranty

SKU	TRACK LENGTH
SLAL-250-PD-48	48"
SLAL-250-PD-60	60"
SLAL-250-PD-72	72"
SLAL-250-PD-96	96"
SLAL-250-PD-144	144"

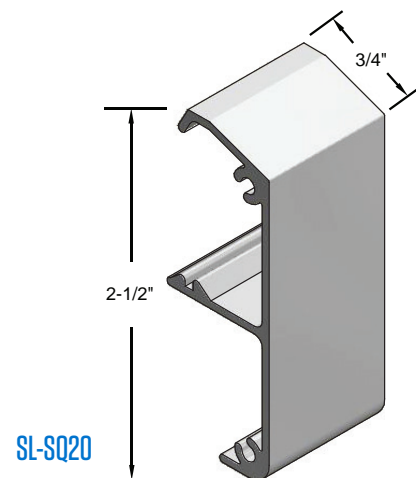
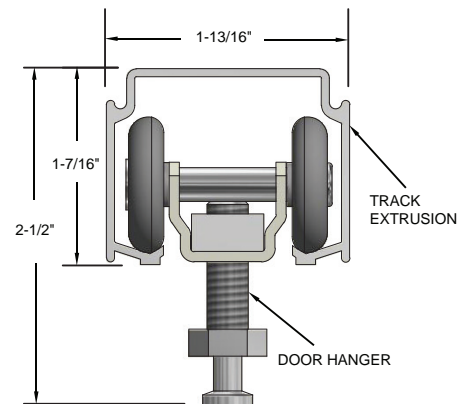
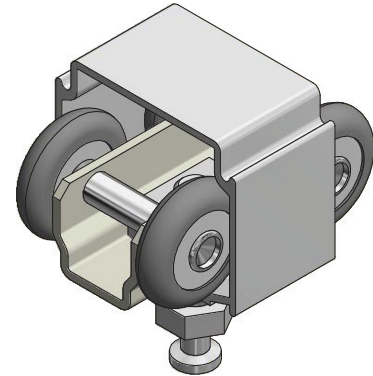
Order Two Sets for Bi-Parting Applications

Complete Kits Include:

- (1) Track – Mill Finish
- (1) Universal Hardware Pack,
Consists Of:
 - (2) Heavy-Duty Ball Bearing Hangers
 - (2) Snap-In Door Brackets
 - (2) In-Track Stops
 - (1) Angle Stop
 - (1) Bumper Stop
 - (1) Door Guide
 - Heavy-Duty Floor Guides

OPTIONS:

- Soft-Close / Open – Specify "SC"
For Both Directions Order "SCBY" for Doors 120 lbs.-150 lbs. Each
- Light-Duty Soft-Close / Open - Specify "SC-LITE"
For Both Directions Order "SCBY-LITE" for Doors 65 lbs.-115 lbs. Each
- Wall Mounted Guide "SL-WG" (Page SL17)
- Bottom Channel Guide "SL-BCG" (Page SL17)
- Snap-On Fascia "SL-SQ20" – Clear Anodized – *Shown Right*



POCKET DOOR FRAME KIT



TOP MOUNT TRACK SYSTEM

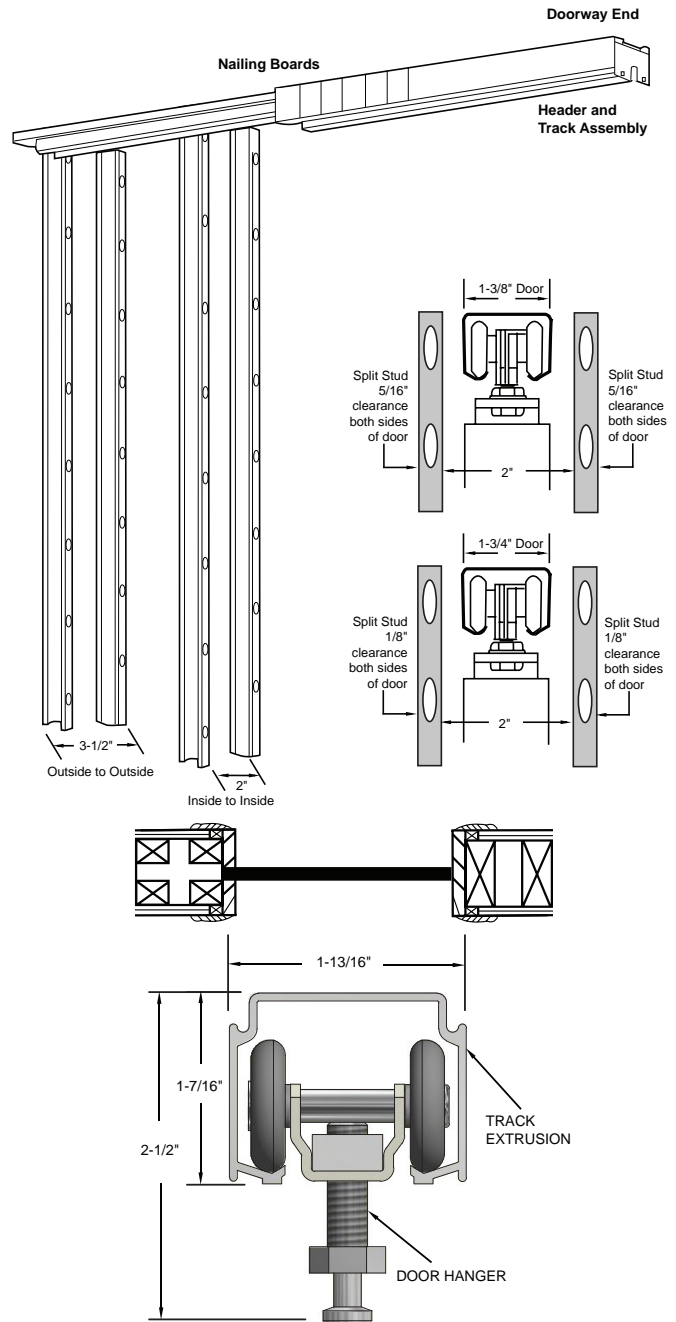
- Commercial Grade for 1 $\frac{3}{8}$ " To 1 $\frac{3}{4}$ " Doors
- For Sliding Doors up to 250 lbs. Each
- ANSI/BHMA A156.14 Grade 1 Certified to 100,000 Cycles Including Soft-Close Feature
- Hangers With Heavy-Duty Ball Bearing Wheels
- Meets ADA Push Force Requirements
- 5-Year Warranty
- Patent Pending

SKU	APPLICATION	FOR UP TO:
SLAL-250-PDKIT	4" Wood or Metal Stud	3/0 x 7/0
SLAL-250-PDKIT-48"DR	4" Wood or Metal Stud	4/0 x 7/0
SLAL-250-PDKIT-6	6" Wood Stud (5 $\frac{1}{2}$ " Header)	3/0 x 7/0
SLAL-250-PDKIT-6-48"	6" Wood Stud (5 $\frac{1}{2}$ " Header)	4/0 x 7/0
SLAL-250-PDKIT-6M	6" Metal Stud (6" Header)	3/0 x 7/0
SLAL-250-PDKIT-6M-48"	6" Metal Stud (6" Header)	4/0 x 7/0

Order Two Sets for Bi-Parting Applications

Complete Kits Include:

- (1) Header Track Assembly
- (1) Universal Hardware Pack, Consists Of:
 - (2) Ball Bearing Heavy-Duty Hangers
 - (2) Snap-In Door Brackets
 - (2) In-Track Stops
 - (1) Angle Stop
 - (1) Bumper Stop
 - (1) Door Guide
 - (1) 1 $\frac{3}{4}$ " Thick Door Adaptor Kit
- Included in 2x4 Stud Wall Kits
- Heavy-Duty Floor Guides
- (1) Pocket Frame Kit
- Jamb Stiffeners
 - (4) 36" Openings
 - (6) 48" Openings
- Floor Brackets
 - (2) 36" Openings
 - (3) 48" Openings
- (1) End Bracket



OPTIONS:

- Soft-Close / Open – Specify “SC”
For Both Directions Order “SCBY” for Doors 120 lbs.-150 lbs. Each
- Light-Duty Soft-Close / Open - Specify “SC-LITE”
For Both Directions Order “SCBY-LITE” for Doors 65 lbs.-115 lbs. Each
- Wall Mounted Bottom Guide “SL-WG”
- Bottom Channel Guide “SL-BCC” (Page SL17)
- Converging Kit Used to Join Headers in Bi-Parting Openings “SLAL-CNVG-KIT”

POCKET FRAME KIT UP TO 9/0 DOORS



TOP MOUNT TRACK SYSTEM

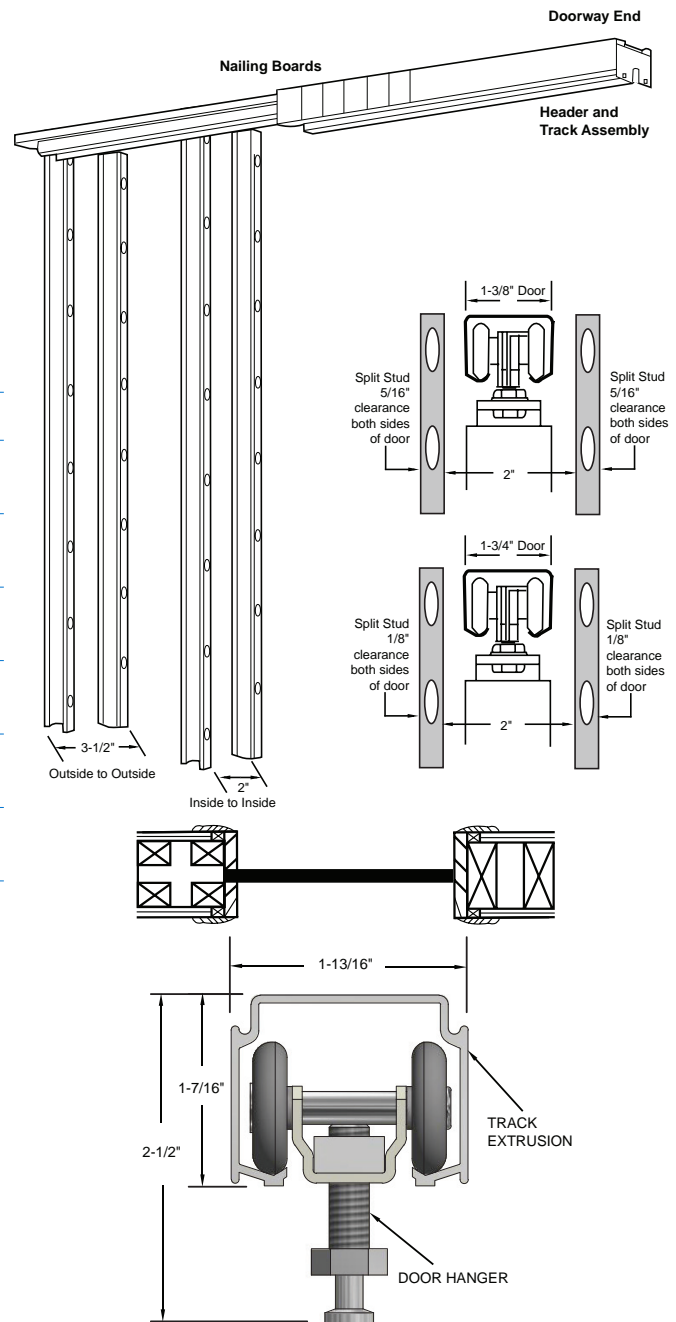
- Commercial Grade for 1 $\frac{3}{8}$ " To 1 $\frac{3}{4}$ " Doors
- For Sliding Doors up to 250 lbs. Each
- ANSI/BHMA A156.14 Grade 1 Certified to 100,000 Cycles Including Soft-Close Feature
- Hangers With Heavy-Duty Ball Bearing Wheels
- Meets ADA Push Force Requirements
- 5-Year Warranty
- Patent Pending

SKU	APPLICATION	FOR UP TO:
SLAL-250-PDKIT-EXT	4" Wood or Metal Stud	3/0 x 9/0
SLAL-250-PDKT-EXT-48	4" Wood or Metal Stud	4/0 x 9/0
SLAL-250-PDKIT-6-EXT	6" Wood Stud (5 $\frac{1}{2}$ " Header)	3/0 x 9/0
SLAL-250-PDK-6-EXT48"	6" Wood Stud (5 $\frac{1}{2}$ " Header)	4/0 x 9/0
SLAL-250-PDKT-6M-EXT	6" Metal Stud (6" Header)	3/0 x 9/0
SLAL-250-PK-6M-EXT48	6" Metal Stud (6" Header)	4/0 x 9/0

Order Two Sets for Bi-Parting Applications

Complete Kits Include:

- (1) Header Track Assembly
- (1) Universal Hardware Pack, Consists Of:
 - (2) Ball Bearing Heavy-Duty Hangers
 - (2) Snap-In Door Brackets
 - (2) In-Track Stops
 - (1) Angle Stop
 - (1) Bumper Stop
 - (1) Door Guide
 - (1) 1 $\frac{3}{4}$ " Thick Door Adaptor Kit Included in 2x4 Stud Wall Kits
- (1) Pocket Frame Kit Jamb Stiffeners
 - (4) 36" Openings
 - (6) 48" Openings
- (4) Jamb Stiffener Extensions
- (4) Jamb Splice Brackets
- Floor Brackets
 - (2) 36" Openings
 - (3) 48" Openings
- (1) End Bracket



OPTIONS:

- Soft-Close / Open – Specify “SC”
For Both Directions Order “SCBY” for Doors 120 lbs.-150 lbs. Each
- Light-Duty Soft-Close / Open - Specify “SC-LITE”
For Both Directions Order “SCBY-LITE” for Doors 65 lbs.-115 lbs. Each
- Wall Mounted Bottom Guide “SL-WG”
- Bottom Channel Guide “SL-BCG” (Page SL17)
- Converging Kit Used to Join Headers in Bi-Parting Openings “SLAL-CNVG-KIT”

STAINLESS STEEL

BARN DOOR TOP MOUNT

- Fits 1" To 2" Thick Door Panel
- Brushed Stainless Steel 304
- Side Wall Mount
- Nylon Coated Stainless Steel Wheels for Smooth Operation
- For Sliding Doors up to 220 lbs. Each
- Meets ADA Push Force Requirements
- 5-Year Warranty
- Order Two Sets for Bi-Parting Applications



STAINLESS STEEL TOP MOUNT ROUND TRACK SYSTEM

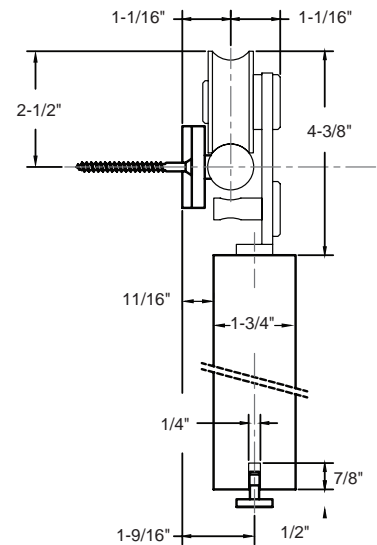
SKU	TRACK LENGTH
SLSSI-6	78 3/4"
SLSSI-8	98 7/16"

Complete Kits Include:

- (1) Track
- (2) Door Stops
- (2) Hangers
- (1) Floor Guide

SLSSI-6 includes: (5) Wall Attachments

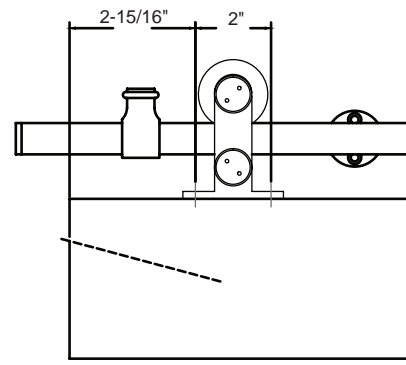
SLSSI-8 includes: (6) Wall Attachments



STAINLESS STEEL TOP MOUNT ROUND TRACK SYSTEM (WITH SOFT-CLOSE)

SKU	TRACK LENGTH
SLSSI-6-SC*	78 3/4"
SLSSI-8-SC*	98 7/16"

* Soft-Close / Open Hardware is Included for Both Directions in Addition to the SLSSI-6 and SLSSI-8 Complete Kit Contents



STAINLESS STEEL

BARN DOOR SIDE MOUNT

- ▶ Fits 1 $\frac{3}{8}$ " To 1 $\frac{3}{4}$ " Thick Door Panel
- ▶ Brushed Stainless Steel 304
- ▶ Side Wall Mount
- ▶ Nylon Coated Stainless Steel Wheels for Smooth Operation
- ▶ For Sliding Doors up to 220 lbs. Each
- ▶ Meets ADA Push Force Requirements
- ▶ 5-Year Warranty
- ▶ Order Two Sets for Bi-Parting Applications



STAINLESS STEEL SIDE MOUNT ROUND TRACK SYSTEM

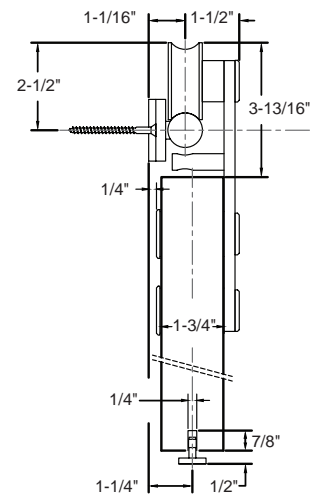
SKU	TRACK LENGTH
SLSS2-6	78 $\frac{3}{4}$ "
SLSS2-8	98 $\frac{7}{16}$ "

Complete Kits Include:

- | | |
|-------------|-----------------|
| (1) Track | (2) Door Stops |
| (2) Hangers | (1) Floor Guide |

SLSS2-6 includes: (5) Wall Attachments

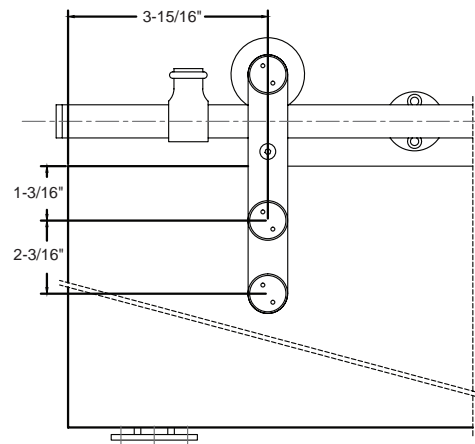
SLSS2-8 includes: (6) Wall Attachments



STAINLESS STEEL SIDE MOUNT ROUND TRACK SYSTEM (WITH SOFT-CLOSE)

SKU	TRACK LENGTH
SLSS2-6-SC*	78 $\frac{3}{4}$ "
SLSS2-8-SC*	98 $\frac{7}{16}$ "

* Soft-Close / Open Hardware is Included for Both Directions in Addition to the SLSS1-6 and SLSS1-8 Complete Kit Contents



BARN DOOR TOP MOUNT

- ▶ Fits 1" To 2" Thick Door Panel
- ▶ Satin Nickel Electroplated Steel "SN"
Black Powder Coated Steel "BL"
- ▶ Side Wall Mounted Track
- ▶ Solid Nylon Wheels for Smooth Operation
- ▶ Standard Kits for Sliding Doors up to 220 lbs.
Each. Kits with Soft-Close for Sliding Doors up to 176 lbs. Each
- ▶ Meets ADA Push Force Requirements
- ▶ 5-Year Warranty
- ▶ Order Two Sets for Bi-Parting Applications



FLAT TRACK TOP MOUNT HANGER SYSTEM

SKU	FINISH	TRACK LENGTH
SL-SNFT1-6	SATIN NICKEL	72"
SL-SNFT1-8	SATIN NICKEL	96"
SL-BLFT1-6	BLACK POWDER COAT	72"
SL-BLFT1-8	BLACK POWDER COAT	96"

Complete Kits Include:

- (1) Track (2) Door Stops
- (2) Hangers (1) Floor Guide

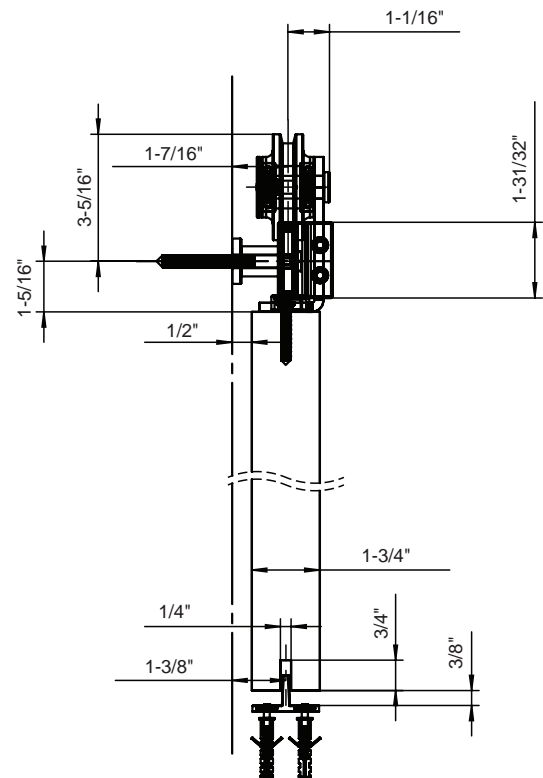
6' Kit includes: (5) Wall Attachments

8' Kit includes: (6) Wall Attachments

FLAT TRACK TOP MOUNT HANGER SYSTEM (WITH SOFT-CLOSE)

SKU	FINISH	TRACK LENGTH
SL-SNFT1-6-SC	SATIN NICKEL	72"
SL-SNFT1-8-SC	SATIN NICKEL	96"
SL-BLFT1-6-SC	BLACK POWDER COAT	72"
SL-BLFT1-8-SC	BLACK POWDER COAT	96"

* Soft-Close / Open Hardware is Included for Both Directions in Addition to the 6' and 8' Complete Kit Contents



OPTIONS:

- ▶ "SL-SNFT-DWS" Satin Nickel Drywall Spacers for 6' and 8' Tracks
- ▶ "SL-BLFT-DWS" Black Drywall Spacers for 6' and 8' Tracks
- ▶ "SL-BCG" Bottom Channel Guide
- ▶ Net Cut to Length on Black Powder Coated Finish Only
- ▶ "SL-SNFT-CP" and "SL-BLFT-CP" Track Coupler for Joining Two Tracks Together

BARN DOOR SIDE MOUNT

- ▶ Fits 1³/₈" To 1³/₄" Thick Door Panel
- ▶ Satin Nickel Electroplated Steel "SN"
Black Powder Coated Steel "BL"
- ▶ Side Wall Mounted Track
- ▶ Solid Nylon Wheels for Smooth Operation
- ▶ Standard Kits for Sliding Doors up to 220 lbs.
Each. Kits with Soft-Close for Sliding Doors up to 176 lbs. Each
- ▶ Meets ADA Push Force Requirements
- ▶ 5-Year Warranty
- ▶ Order Two Sets for Bi-Parting Applications



FLAT TRACK SIDE MOUNT HANGER SYSTEM

SKU	FINISH	TRACK LENGTH
SL-SNFT2-6	SATIN NICKEL	72"
SL-SNFT2-8	SATIN NICKEL	96"
SL-BLFT2-6	BLACK POWDER COAT	72"
SL-BLFT2-8	BLACK POWDER COAT	96"

Complete Kits Include:

- (1) Track
- (2) Door Stops
- (2) Hangers
- (1) Floor Guide

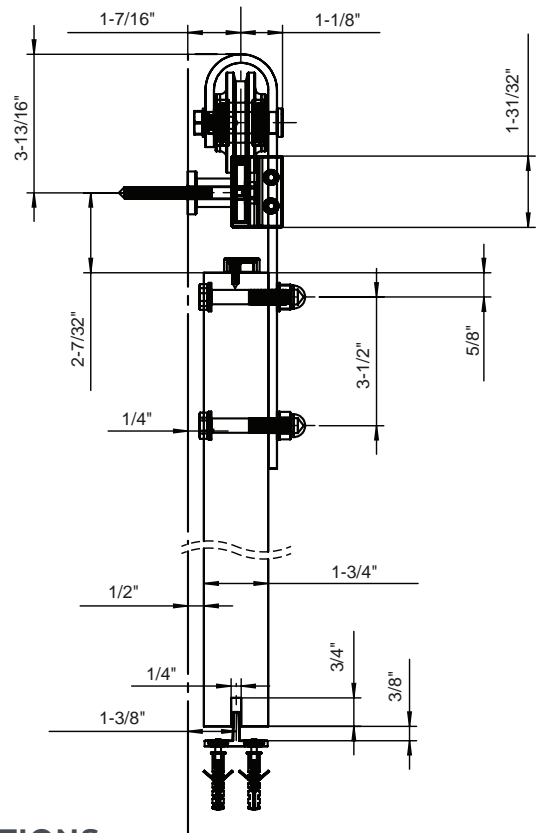
6' Kit includes: (5) Wall Attachments

8' Kit includes: (6) Wall Attachments

FLAT TRACK SIDE MOUNT HANGER SYSTEM (WITH SOFT-CLOSE)

SKU	FINISH	TRACK LENGTH
SL-SNFT2-6-SC	SATIN NICKEL	72"
SL-SNFT2-8-SC	SATIN NICKEL	96"
SL-BLFT2-6-SC	BLACK POWDER COAT	72"
SL-BLFT2-8-SC	BLACK POWDER COAT	96"

* Soft-Close / Open Hardware is Included for Both Directions in Addition to the 6' and 8' Complete Kit Contents



OPTIONS:

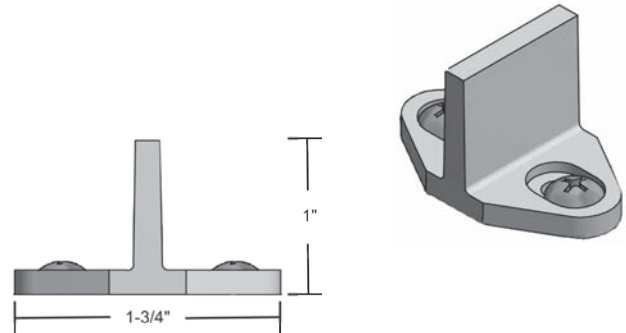
- ▶ "SL-SNFT-DWS" Satin Nickel Drywall Spacers for 6' and 8' Tracks
- ▶ "SL-BLFT-DWS" Black Drywall Spacers for 6' and 8' Tracks
- ▶ "SL-BCG" Bottom Channel Guide
- ▶ Net Cut to Length on Black Powder Coated Finish Only
- ▶ "SL-SNFT-CP" and "SL-BLFT-CP" Track Coupler for Joining Two Tracks Together

ACCESSORIES

FLOOR GUIDE

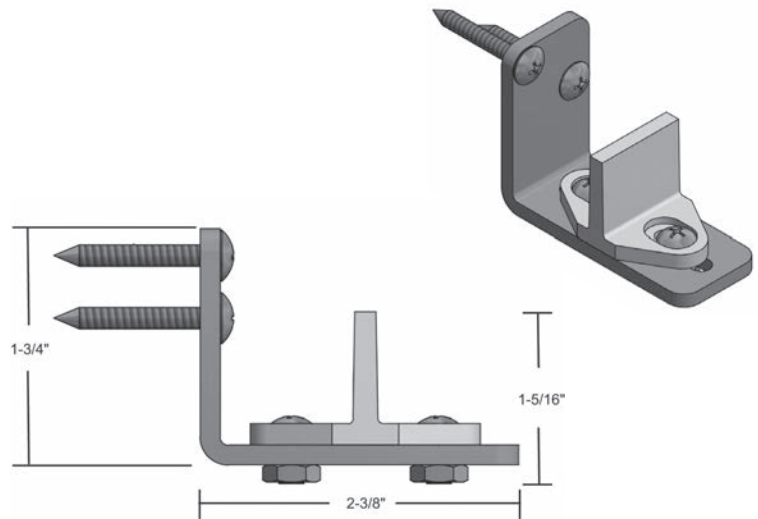
- ▶ Furnished Standard With Stainless Steel and Commercial Grade Aluminum Sliding Door Hardware Sets

SKU	MATERIAL/FINISH
SLSS-FG	Black Nylon



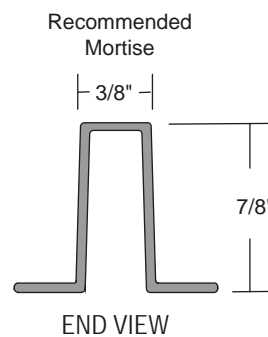
WALL MOUNTED GUIDE

SKU	MATERIAL/FINISH
SL-WG	Black Nylon Floor Guide on Steel Bracket Dark Bronze Powder Coat #8-18 x 1-1/4" Truss Head Self-Tapping Screws



BOTTOM CHANNEL GUIDE

SKU	MATERIAL/LENGTH/COLOR
SL-BCG	Polypropylene 60" Dark Brown

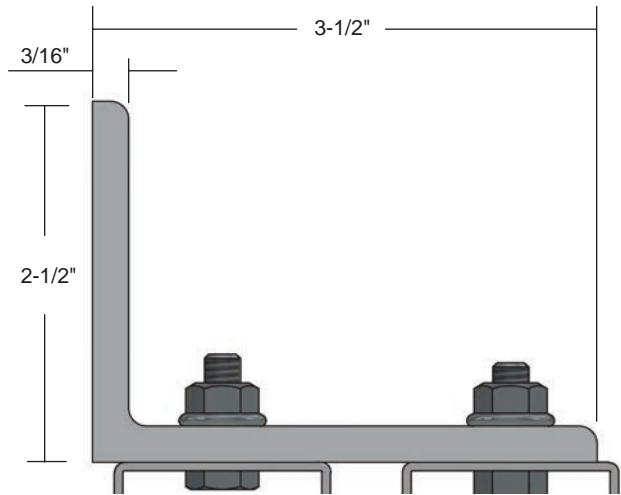


ACCESSORIES

SIDEWALL MOUNT BY-PASS BRACKET

SKU	MATERIAL/LENGTH/COLOR
SWBP-BRKT	3/16" Steel Gray Finish

Use 3" From Each End and Not More Than 24" on Center

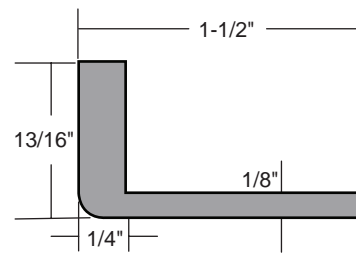


Fasteners Not Furnished

SIDEWALL MOUNT LOW-PROFILE BRACKET

SKU	MATERIAL/LENGTH/COLOR
SWPD-LPBRKT	1 5/8" Mill Finish Aluminum

Use 3" From Each End and Not More Than 24" on Center



ACCESSORIES

FOR ALUMINUM SLIDING DOOR HARDWARE



SOFT-CLOSE OPTIONS

SC

For Single Sliding Aluminum Hardware Sets with Doors 120 lbs. – 150 lbs. Each

- Designed for Doors 120 lbs. – 150 lbs. Each
- Minimum Door Width When Using One Soft-Close Device on a Single Door is 16"
- Minimum Door Width When Using Two Soft-Close Devices for Soft-Close Both Directions on a Single Door is 31"
- Slows Travel of the Door to Softly Close
- Soft-Close for Single Sliding Aluminum Hardware Sets
- For Both Directions Order "SCBY"



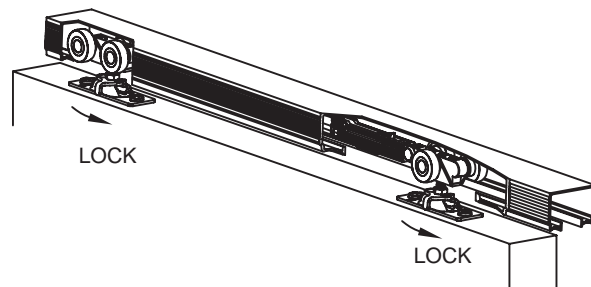
Ordering Info

SC	Single
SCBY	Set of Two

SC-LITE

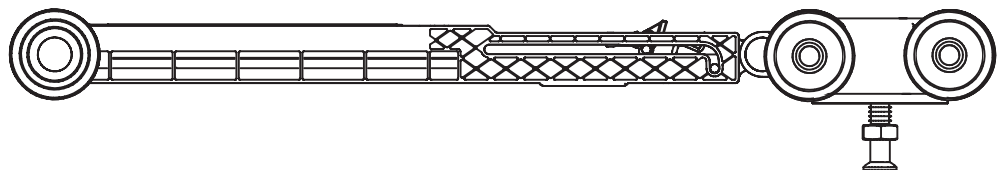
For Single Sliding Aluminum Hardware Sets with Doors 65 lbs. – 115 lbs. Each

- Designed for Doors 65 lbs. – 115 lbs. Each
- Minimum Door Width When Using One Soft-Close Device on a Single Door is 12.5"
- Minimum Door Width When Using Two Soft-Close Devices for Soft-Close Both Directions on a Single Door is 25"
- Slows Travel of the Door to Softly Close
- For By-Pass and Bi-Parting Sliding Aluminum Hardware Sets. For Both Directions Order (2) Sets "SCBY-LITE"
- For Soft-Close Both Directions on Sidewall and Pocket Door Applications



Ordering Info

SC-LITE	Single
SCBY-LITE	Set of Two

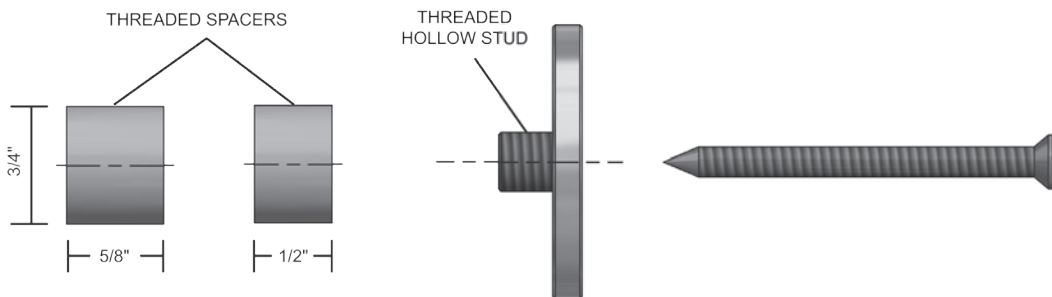


ACCESSORIES

DRYWALL SPACER FOR USE WITH SLSS1 AND SLSS2 KITS

- Spacer Kits Include Two Sizes of Spacers
Allowing Installation Directly to the Blocking
Behind the Drywall

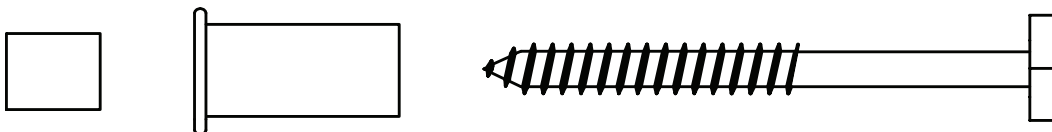
SKU	# OF SPACERS/TRACK LENGTH
SLSS-DWS-6	5 Total Spacers/6' Track
SLSS-DWS-8	6 Total Spacers/8' Track



DRYWALL SPACER FOR USE WITH FLAT TRACK HARDWARE

- Spacer Kits Include Two Sizes of Spacers
($\frac{1}{2}$ " and $\frac{5}{8}$ ") Allowing Installation Directly
to the Blocking Behind the Drywall

SKU	DESCRIPTION
SL-BLFT-DWS	Black Drywall Spacer Kit. Works with 6' and 8' Track Lengths
SL-SNFT-DWS	Satin Nickel Drywall Spacer Kit. Works with 6' and 8' Track Lengths

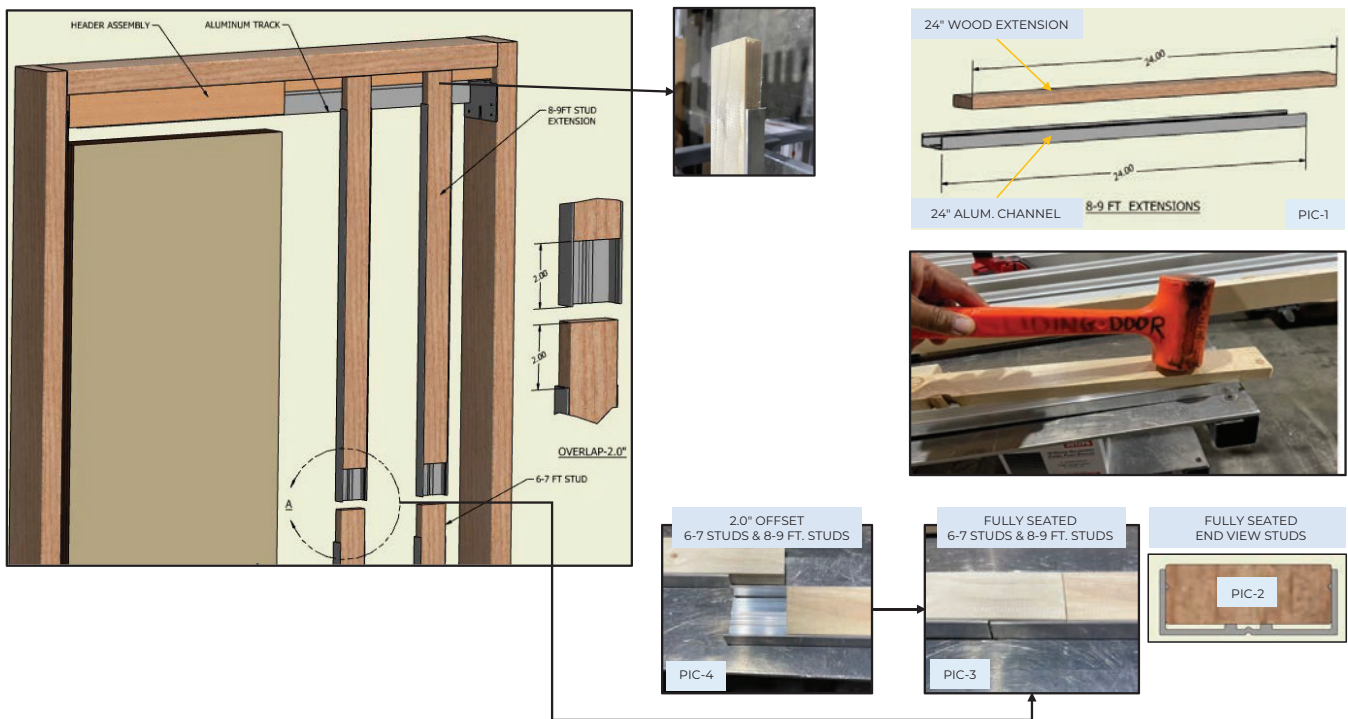


ACCESSORIES

POCKET DOOR KIT-7'-9" EXTENSION KIT

SLAL EXT KIT, SLAL EXT KIT 48"DR

- ▶ Pocket Door Frame Extension Kits Include:
 - + SLAL EXT KIT: (4) Wood Frame Extensions, (4) Aluminum Frame Extensions
 - + SLAL EXT KIT 48"DR: (6) Wood Frame Extensions, (6) Aluminum Frame Extensions
- ▶ Allows Standard PDKIT to be Extended for Use on Door Opening Heights up to 9'

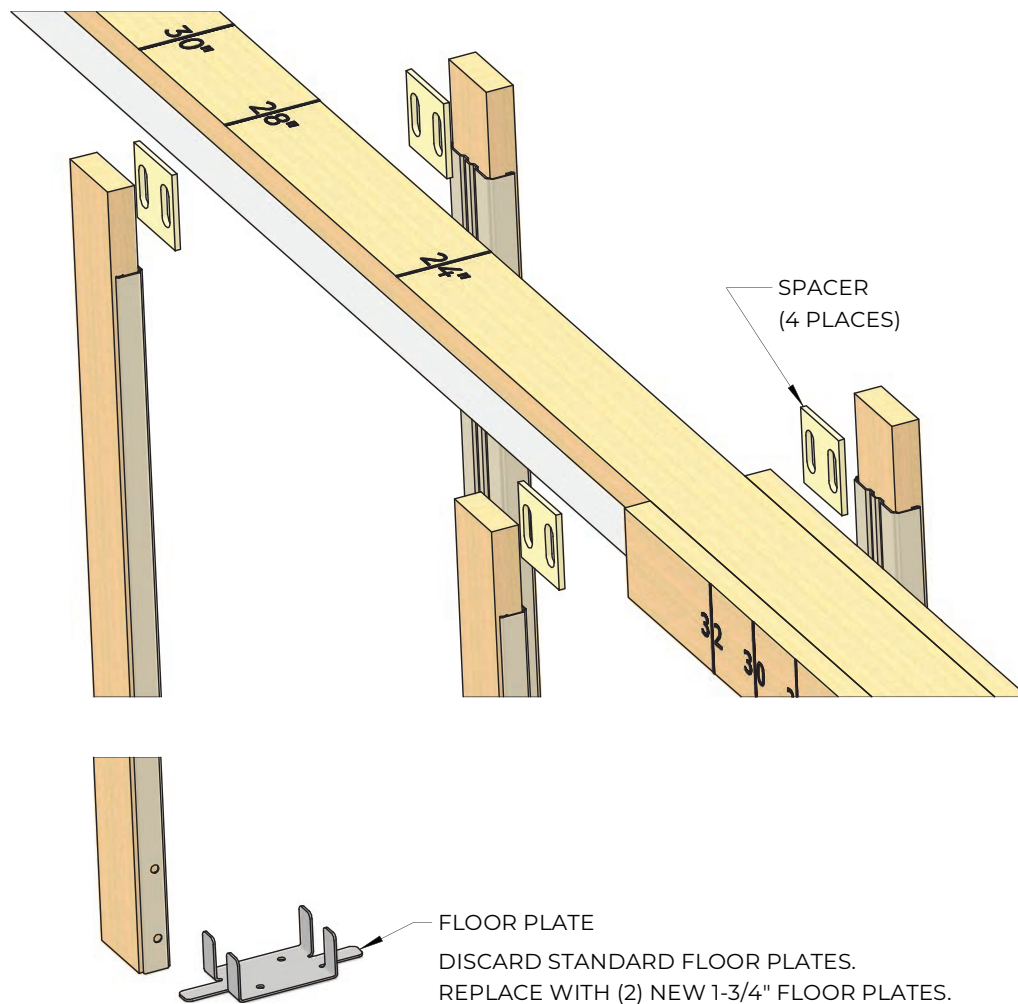


ACCESSORIES

ADAPTER KIT

- ▶ Used When Installing 1 $\frac{3}{4}$ " Thick Doors With SLAL-250-PDKIT, SLAL-250-PDKIT-EXT, SLAL-250-PDKIT-48"DR and SLAL-250-PDKT-EXT-48.
- ▶ Includes 4 Upper Spacers and 2 Floor Brackets to Accommodate 1 $\frac{3}{4}$ " Thick Doors
- ▶ SLAL-250-PDKIT-48"DR and SLAL-250-PDKT-EXT-48 Come With 6 Split Studs.
SLAL-134-KIT Comes With 4 Spacers and 2 Floor Plates. Be Sure to Order Enough SLAL-134-KIT for 6 Split Studs per Opening.

SKU	MATERIAL/FINISH
SLAL-134-KIT	Nylon Spacers / Zinc Coated Steel Floor Plates

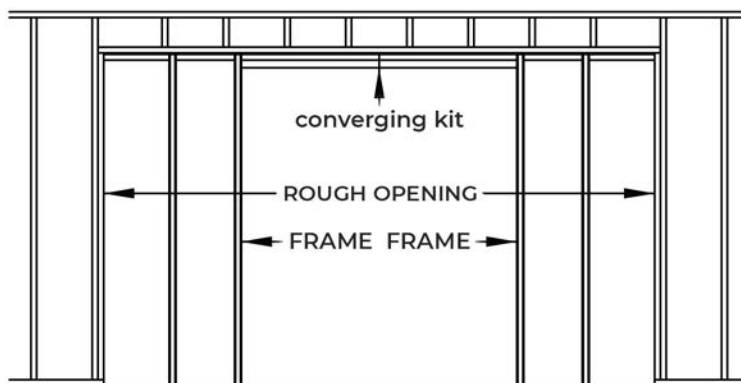
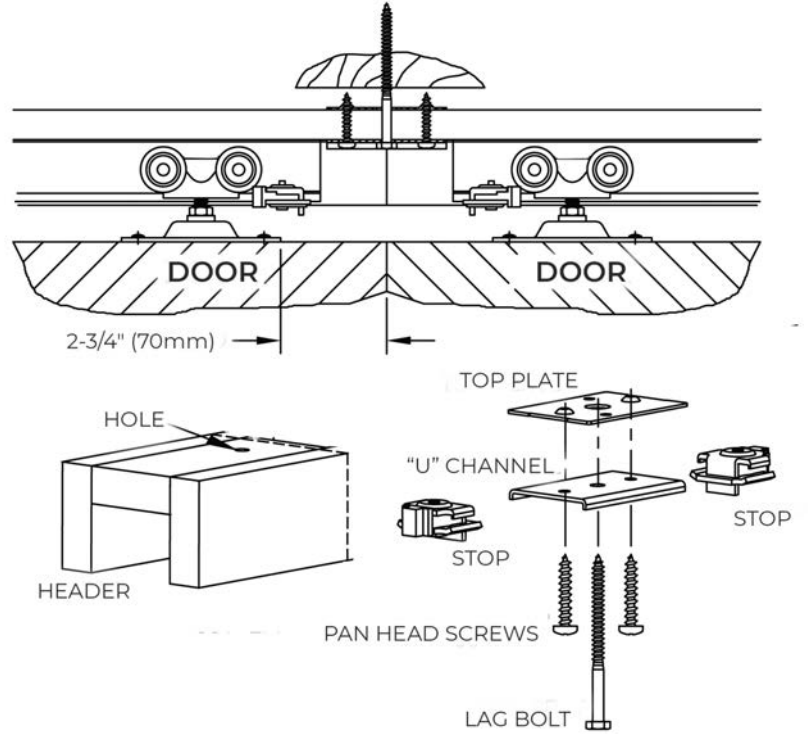


ACCESSORIES

CONVERGING KIT

- ▶ Used When Joining Two PDKIT Headers Together for a Bi-Parting Pocket Opening
- ▶ Includes 2 Mounting Plates, 2 Pan Head Screws and 1 Lag Bolt

SKU	MATERIAL/FINISH
SLAL-CNVG-KIT	Zinc Coated Steel



NOTES

NOTES

NOTES



For the most up-to-date
Sliding Door Hardware
Catalog scan the QR code
or visit ngp.com.



ngp.com
1-800-NGP-RUSH

FAX: (800) 255-7874
QUOTES: quotes@ngp.com
ORDERS: orders@ngp.com

NGP MEMPHIS
4985 East Raines Road
Memphis, TN 38118

CARSON CITY
3689 Arrowhead Drive
Carson City, NV 89706