



For the complete list of Aluminum Sliding Door Hardware, the most up-to-date product information and installation instructions, scan the QR code or visit ngp.com.



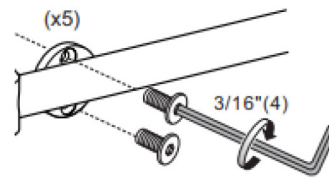
SLSS SERIES

304 Stainless Steel Sliding Track Hardware

CARE AND MAINTENANCE

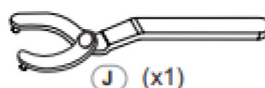
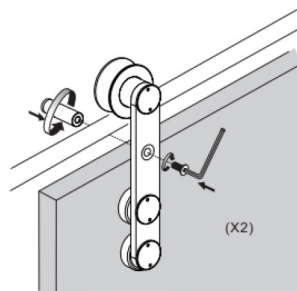
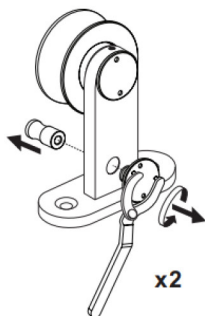
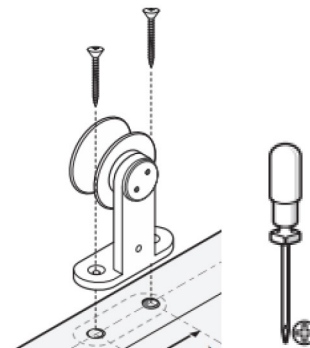
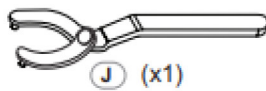
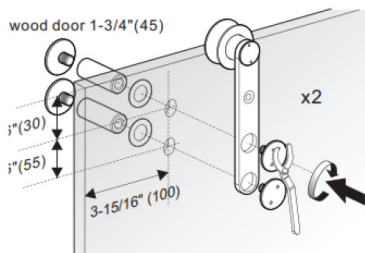
Track

Check track fasteners for tightness every 6 months



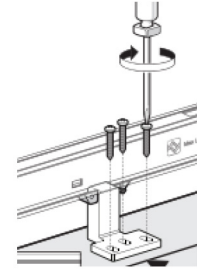
Hangers

Check hanger mounting screws as well as anti-rise pin fasteners (available on non-soft close systems only) for tightness every 6 months



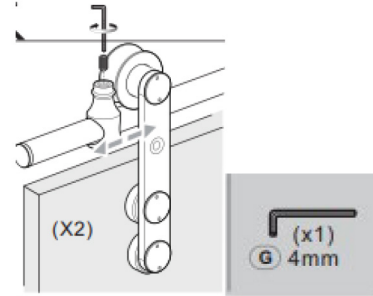
Soft Close Actuator

Check soft close actuator fasteners for tightness every 6 months (available on soft close systems only)



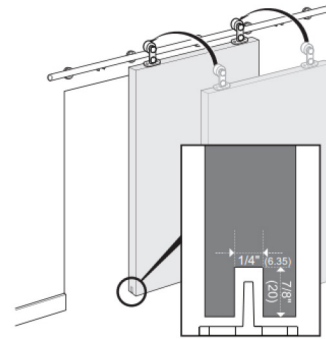
Track Stops

Check track stop fasteners for tightness every 6 months



Bottom Mortised Guide

Ensure bottom guide route in bottom door edge is free of obstruction or debris



Cleaning

We recommend dry dusting or wiping with a light soap and water solution

NGP-SLSS-CARE-0225-A



MEMPHIS | CARSON CITY

NATIONAL GUARD PRODUCTS, INC.

MEMPHIS

4985 East Raines Road
Memphis, TN 38118

CARSON CITY

3689 Arrowhead Drive
Carson City, NV 89706

Fax: (800) 255-7874

Email: info@ngp.com

Quotes: quotes@ngp.com

Orders: orders@ngp.com

ngp.com
1-800-NGP-RUSH