



— CONDENSED —
CATALOG



— IT'S NOT "JUST" —
BUSINESS
— WITH NGP, IT'S —
PERSONAL

IN A MARKET FULL OF MERGERS AND CORPORATE RED TAPE, NGP STANDS APART. WE'RE STILL INDEPENDENT. STILL FAMILY-RUN. STILL ANSWERING TO OUR CUSTOMERS — NOT WALL STREET.

We've never believed in being "just" a manufacturer. Products matter — but people matter more. That's why our team is built on service, trust, and relationships that last. For 90 years, we've grown by listening. Every conversation we have with you shapes the way we do business. Your challenges become our opportunities. Your ideas become our priorities. That's why, after nearly a century, our mission is the same as day one: put the customer first, every single time.

Because at the end of the day, we're more than a manufacturer.

We're your partner. Your problem-solver. Your team.

THE TEAM • THE PRODUCTS
THE SERVICE



No robots allowed!
We pride ourselves on an exceptional level of service.



We're closer to you than ever before and ready to fill your order!



Some of our most popular products and sizes - shipped from our Carson City Facility!



Stop wasting your time with the other guys and start trusting your Division 8 provider.

— FEATURING OUR —
PRODUCT CATEGORIES

SEALS

Thresholds

Gasketing

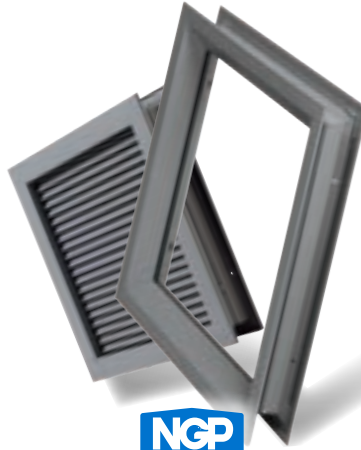
Door Bottoms



LITES

Lite Kits

Louvers

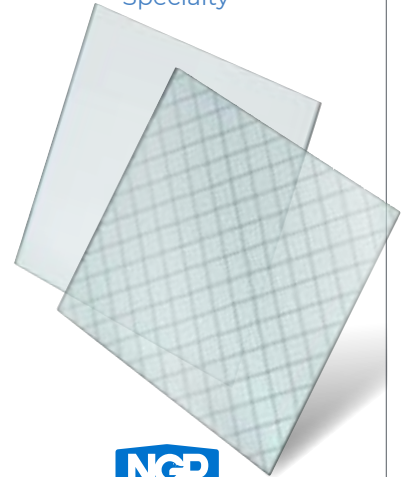


GLASS

Fire

Safety

Specialty



SLIDING

Stainless Steel Barn Door Track

Aluminum Track Systems

Steel Flat Track



GAPGUARD

Gap90

9590

9990





CONDENSED CATALOG INDEX

Bumper Seal Thresholds.....	5	Glass.....	21
Concealed Fastener Seals	10	Half Saddle Thresholds	7
Continuous Hinge, Aluminum Geared		Heavy-Duty Thresholds.....	6
Concealed	22	Hospitality	
Full Surface.....	22	Door Bottoms, Door Shoes, Door Guards.....	18
Continuous Hinge, Stainless Steel		Security Door Guard.....	18
Concealed	23	Vinyl Thresholds, Smoke Seal.....	17
Cover Plates	6	Lite Kits & Louvers	20
Finger Guard	19	Offset Saddle Thresholds	7
Flood Shield	19	Saddle Thresholds	5
GAPGUARD.....	28-30	Self-Adhesive Gasketing.....	9
Gasketing		Sliding Door Hardware	
Adjustable Perimeter Seals.....	12	By-Pass, Bi-Fold	24
Astragals.....	12	By-Pass, Side Wall Mount	25
Automatic Door Bottoms.....	13	Pocket Door/Frame Kit.....	26
Door Shoes	16	Stainless Steel	27
Door Sweeps	15	Stainless Steel Saddle.....	8
Nylon Brush Seals with EPDM Rubber	14	Thermal Break Thresholds.....	8
Insert Perimeter Seals	11		

NUMERICAL INDEX

12T6.....	16	428E.....	5	896	5	HD2400	22
12V.....	16	429E.....	5	896HD.....	6	HD5700	22
20T	21	430E.....	5	913.....	5	INSULATED	
36ET.....	18	434.....	5	950	5	TEMPERED GLASS.....	21
97V	15	435	5	1013	5	L-CVFM-SS	20
101V.....	15	436	5	2248.....	19	L-700-RX	20
103N.....	12	437	5	2252.....	19	LAMINATED GLASS.....	21
107.....	12	438	5	5050.....	9	L-FRA100	20
110	11	439	5	5060.....	9	LO-PRO	20
115N.....	12	440.....	5	5070.....	9	PROTECT3™	21
137.....	11	512SS	8	5075	9, 17	Pyran® Platinum F.....	21
155.....	11	513.....	5	8424.....	8	SDG	18
158.....	12	513HD	6	8425.....	8	SLAL-250-BP	25
160.....	11	513SS	8	8426.....	8	SLAL-250-PD	26
170.....	10	A605.....	11	8427.....	8	SLAL-250-PDKIT.....	26
172.....	10	613.....	5	8428.....	8	SLAL-250-SW.....	25
200	15	A626.....	11	8429.....	8	SLAL-75-BF.....	24
220	13	C627.....	15	8430.....	8	SLAL-75-BP.....	24
319EV.....	16	653	7	9245V.....	29	SLAL-75-BPF	24
320	13	659	7	9245WH	29	SLSSI	27
324	7	672	10	9590.....	29	SLSS2.....	27
325.....	7	675	10, 15	9990.....	28	SS300.....	23
335N.....	18	D690	14	AFDL	20	TEMPERED GLASS	21
400	17	C697.....	14	FP180-225	29		
401.....	17	D698	14	FS10	19		
413.....	5	C699.....	12	FS22	19		
420N.....	13	700	11	FS34.....	19		
423N.....	13	713.....	5	FSSP.....	19		
423STC	13	813.....	5	GAP90.....	28		
424E.....	5	814.....	6	GAP90-ME	28		
425E.....	5	814SS.....	6	GAP90N	28		
425HD.....	6	818.....	6	GAPGUARD			
426E.....	5	818SS.....	6	FIRE CAULK.....	29		
427E.....	5	838	6	HD1100	22		

TECHNICAL INFORMATION

RATING SYMBOLS LEGEND



POSITIVE PRESSURE - CERTIFIED by UL to ANSI/UL10C Complies with IBC, NFPA 80 and NFPA 252 for application to hollow metal fire doors rated up to 3 hours, and wood fire doors rated up to 90 minutes (some ratings vary as noted).



CERTIFIED by UL to CAN/ULC-S104 and ANSI/UL10B Complies with NFPA 80 and NFPA 252 for application to hollow metal fire doors rated up to 3 hours, and wood fire doors rated up to 90 minutes (some ratings vary as noted).



NGP-EDGE® SEALING SYSTEM, CERTIFIED by UL to ANSI/UL10C Category 'G' Required for Category B wood fire doors to meet positive pressure requirements complying with IBC, and NFPA 252. See individual products for maximum door size and ratings.



SMOKE & DRAFT CONTROL GASKETING, CERTIFIED by UL to ANSI/UL10C and ANSI/UL 1784 Category 'H' Complies with IBC and NFPA 105 for use on 'S' labeled positive pressure hollow metal fire doors rated up to 3 hours, and wood fire doors rated up to 90 minutes (some ratings vary as noted).



ACOUSTICAL TESTED to ASTM E90 Standard Test Method for Laboratory Measurement of Airborne Sound Transmission Loss of Building Partitions and Elements, and ASTM E2235 Standard Test Method for Determination of Decay Rates for use in Sound Insulation Test Methods.



AIR INFILTRATION Recommended product for minimum Air Leakage and a tight seal around the perimeter of doors.



ANSI/BHMA CERTIFIED Certified gasketing complies with American National Standard for Door Gasketing and Edge Seal Systems ANSI/BHMA A156.22, and is listed in the BHMA Certified Products Directory.



Online product listings: ul.com/database



BUY AMERICAN

REQUIREMENTS

Buy American Act

Over 99% of our products are produced in the United States as a domestic construction material, as defined in the Buy American Act (BAA) of March 1933 and amended by the Buy American Act of 1988 and FAR 52.225-9. A Buy American certificate may be obtained on our website ngp.com.

Build America, Buy America Act

Most of our products comply with Build America, Buy America Act requirements under Title IX of the Infrastructure Investment and Jobs Act (IIJA), Pub. L. 117-58, §§ 70901-70953. Contact us for a Certificate of Compliance for products being supplied on your project.

SADDLE THRESHOLDS

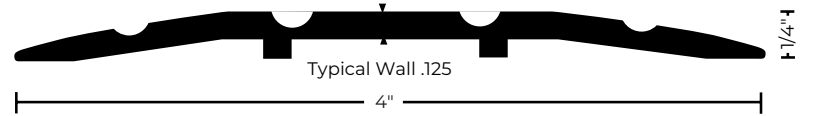
All Products In This Section



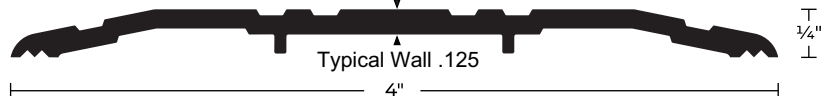
PART #	WIDTH
413*	4"
513*	5"
613*	6"
713*	7"
813*	8"
913	9"
1013	10"

PART #	WIDTH
424E	4"
425E	5"
426E	6"
427E	7"
428E	8"
429E	9"
430E	10"

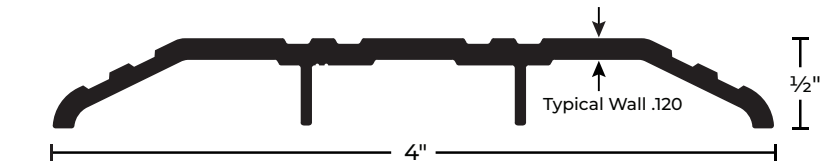
NOTE: Flute Patterns Vary with Width of Threshold



413 .53 lbs./ft.



434 .54 lbs./ft.



424E .65 lbs./ft.

MATERIALS & FINISHES

- No Suffix: Mill Aluminum
- DKB: Aluminum Dark Bronze/Black Anodized
- BR: Bronze (*Indicates if Available)

CROSS REFERENCE

NGP	413	513	613	713	813	913	1013	424E	425E	426E	427E	428E	429E	430E
PEMKO	270	271	272	276	2748	2749	2750	170	171	172	176	2548	2549	2550
ZERO	544	545	546	547	548	-	-	-	8655	-	6570	-	-	-
HAGER	403S	413S	417S	430S	428S	-	448S	404S	412S	415S	416S	426S	-	-
KN CROWDER	CT-64	CT-65	CT-66	CT-67	CT-68	CT-69	CT-610	CT-9	CT-10	CT-11	CT-12	CT-32	CT-909	CT-910

ADA COMPLIANT BUMPER SEAL THRESHOLDS

All Products In This Section



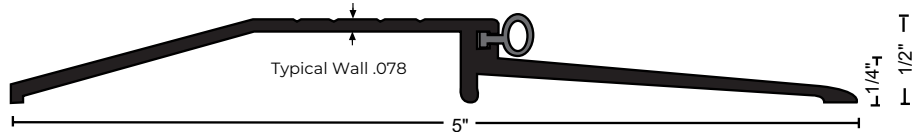
PART #	WIDTH
896	5"
950	5"

CROSS REFERENCE

NGP	896	950
PEMKO	2005	2001
ZERO	65	566
HAGER	520S	477S
KN CROWDER	CT-72	CT-70



896 .85 lbs./ft.



950 .50 lbs./ft.

MATERIALS & FINISHES

- No Suffix: Mill Aluminum
- DKB - Aluminum Dark Bronze/Black Anodized



OPTIONAL: SIA: SLIP-RESISTANT FINISH

For Use in Areas Where Conditions Can Be Hazardous and Safety Is a Priority

FASTENERS

- #10 x 1-1/2" FH Zinc-Plated Wood Screws Furnished. Dark Bronze Supplied With DKB



BUMPER SEAL

Seals Against the Door, Providing Weather Resistance

BUMPER SEAL OPTIONS

- V** Vinyl**
- N** Neoprene
- S** Silicone

**Vinyl ("V") Supplied Unless Other Material Specified

HEAVY-DUTY THRESHOLDS

All Products In This Section



- ▶ For Use Where Forklift or Vehicular Traffic Occurs
- ▶ Recommended for Delivery/Storage Doorways Where Heavier Loads Travel
- ▶ BHMA Certified to ANSI A156.21 Heavy Duty 10,000 lb. Load Test
- ▶ Optional SIA Slip-Resistant Finish Recommended in Moisture-Prone Areas

PART #	WIDTH
425HD	5"
513HD	5"
896HD	5"

MATERIALS & FINISHES

- No Suffix: Mill Aluminum
- DKB: Aluminum Dark Bronze/Black Anodized



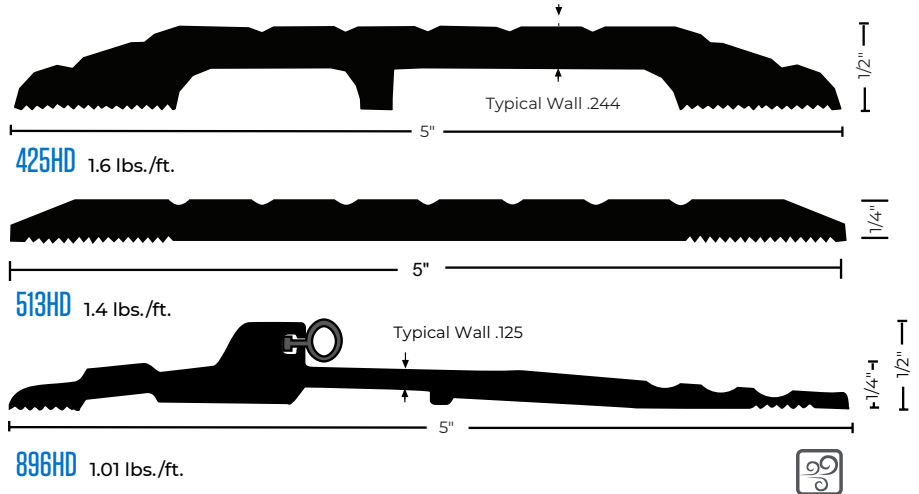
BUMPER SEAL

Seals Against the Door, Providing Weather Resistance

BUMPER SEAL OPTIONS

- V** Vinyl**
- N** Neoprene
- S** Silicone

**Vinyl ("V") Supplied Unless Other Material Specified



CROSS REFERENCE

NGP	425HD	513HD	896HD
PEMKO	1715	2715	2705-T
HAGER	427S	-	-

COVER PLATES

All Products In This Section



PART #	MAX WIDTH
818	48"
818SS	48"
814	48"
814SS	48"
838	48"

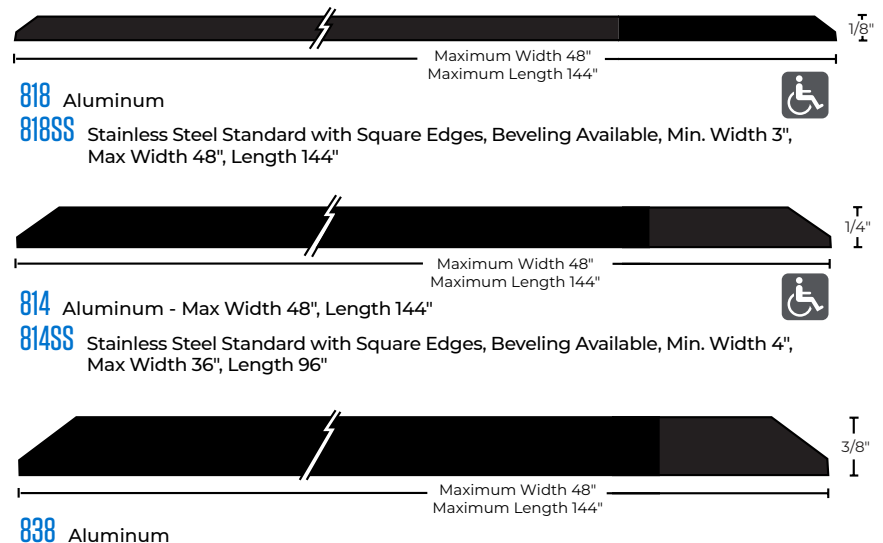
MATERIALS & FINISHES

- No Suffix: Mill Aluminum
- DKB: Aluminum Matte Black Powder Coat



OPTIONAL: SIA: SLIP-RESISTANT FINISH

For Use in Areas Where Conditions Can Be Hazardous and Safety Is a Priority



CROSS REFERENCE

NGP	818	818SS	814	814SS	838
PEMKO	18/1A	-	14/1A	-	-
ZERO	600CP	-	601CP	-	-
HAGER	676S	-	677S	-	-

HALF SADDLE THRESHOLDS

All Products In This Section



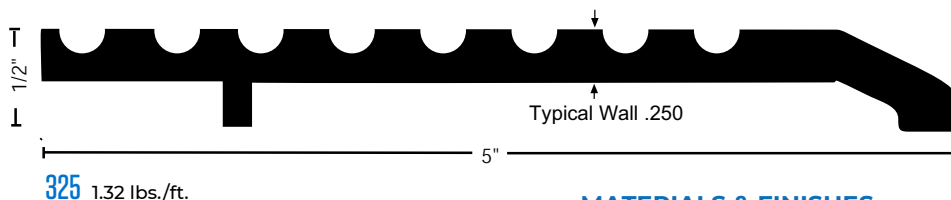
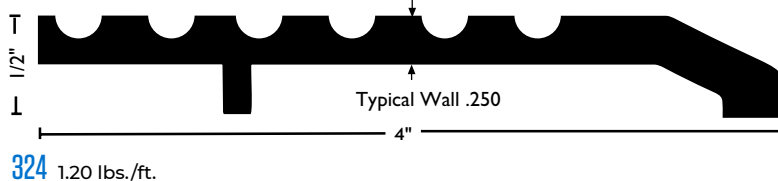
PART #	WIDTH
324	4"
325	5"

* When Installed with the Non-Beveled Edge Flush with Flooring or Where No Greater Than ¼" Vertical Rise Occurs.

CROSS REFERENCE

NGP	324	325
PEMKO	227	229
ZERO	1674	1675
HAGER	432S	431S

NOTE: Flute Patterns Vary with Width of Threshold



MATERIALS & FINISHES

- No Suffix: Mill Aluminum
- DKB: Aluminum Dark Bronze/Black Anodized

OFFSET SADDLE THRESHOLDS

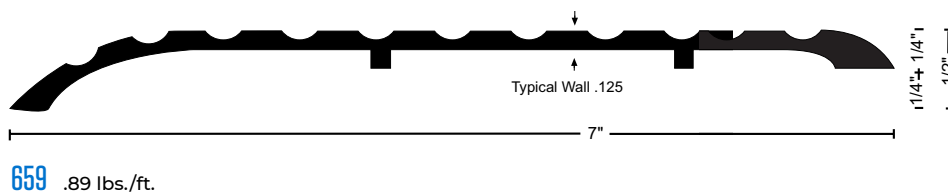
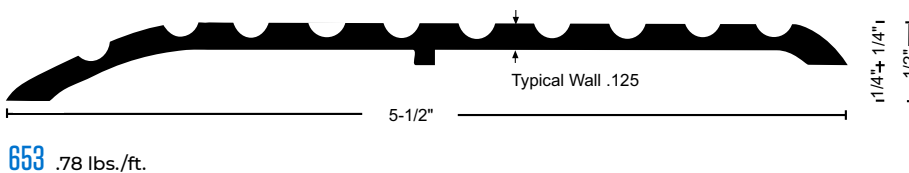
All Products In This Section



PART #	WIDTH
653	5½"
659	7"

CROSS REFERENCE

NGP	653	659
PEMKO	158	2727
ZERO	211	103
HAGER	438S	--



MATERIALS & FINISHES

- No Suffix: Mill Aluminum
- DKB: Aluminum Dark Bronze/Black Anodized



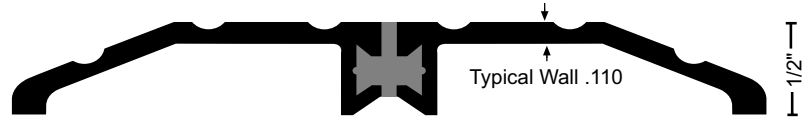
OPTIONAL: SIA: SLIP-RESISTANT FINISH

For Use in Areas Where Conditions Can Be Hazardous and Safety Is a Priority

THERMAL BREAK THRESHOLDS



PART #	WIDTH	BHMA CERTIFIED
8424	4"	BHMA CERTIFIED
8425	5"	BHMA CERTIFIED
8426	6"	BHMA CERTIFIED
8427	7"	
8428	8"	
8429	9"	
8430	10"	BHMA CERTIFIED



MATERIALS & FINISHES

- No Suffix: Mill Aluminum
- DKB: Aluminum Dark Bronze/Black Anodized



OPTIONAL:

SIA: SLIP-RESISTANT FINISH

For Use in Areas Where Conditions Can Be Hazardous and Safety Is a Priority

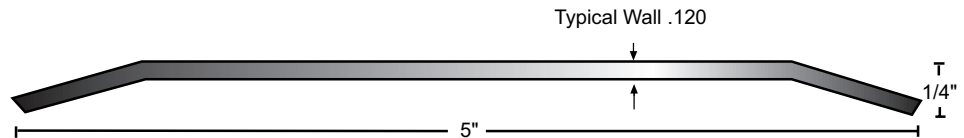
CROSS REFERENCE

NGP	8424	8425	8426	8427	8428	8429	8430
PEMKO	252 x 2_FG	252 x 3_FG	253 x 3_FG	253 x 4_FG	254 x 4_FG	254 x 5_FG	255 x 5_FG
ZERO	624	625	626	--	--	--	--
HAGER	420S	421S	422S	423S	424S	451S	452S
KN CROWDER	CT-44	CT-45	CT-46, CT-406	CT-407	CT-408	CT-409	CT-410

STAINLESS STEEL SADDLE

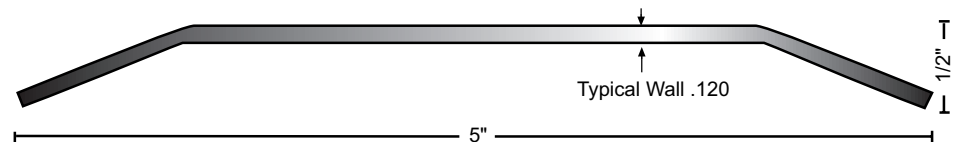


PART #	WIDTH
513SS	5"
512SS	5"



513SS 2.07 lbs./ft.

Available in 4" to 10" width.
1st digit = width (eg: 4" = 413SS)



512SS 2.07 lbs./ft.

Available in 4" to 10" width.
1st digit = width (eg: 4" = 412SS)

CROSS REFERENCE

NGP	513SS	512SS
PEMKO	--	154SS
HAGER	--	412S-32D
KN CROWDER	--	CT-10SS

MATERIALS & FINISHES

- #304 Mill Finish Standard
- Available: Polished (US32)
Brushed (US32D)

SELF-ADHESIVE GASKETING

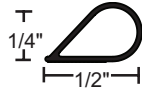
All Products In This Section



SILICONE BULB FIRE AND SMOKE SEAL

PART #	COLORS
5050B	BROWN
5050C	CHARCOAL
5050W	WHITE
5050CL*	CLEAR

Available in 17', 20', 21', 25' and 300'* Rolls
*Clear Not Available in 300' Rolls



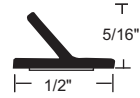
5050



SILICONE FIN SMOKE SEAL

PART #	COLORS
5060C	CHARCOAL

Available in 17', 20' and 21' Rolls



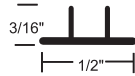
5060



SILICONE DOUBLE SHARK FIN SMOKE SEAL

PART #	COLORS
5070B	BROWN
5070CL	CLEAR

Available in 4', 7', 8' and 9' Lengths
Smoke Rated for Perimeter and/or Meeting Edge (Astragal) Applications.



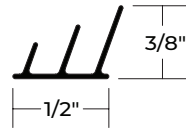
5070



SILICONE TRIPLE FIN SMOKE SEAL

PART #	COLORS
5075C	CHARCOAL
5075CL	CLEAR**
5075W	WHITE*

Available in 17', 20', 21**, 25" and 300* Rolls
*White Only Available in 17' Rolls
**Clear Unavailable in 300' Rolls



5075



CROSS REFERENCE

NGP	5050	5020	5070	5075
PEMKO	S88	S442	S772	S773
ZERO	188S	8144	8217S-BK	8150S-BK
HAGER	726	721	739	738S
KN CROWDER	W-22	-	-	W-63



EDGE SEALING SYSTEM:

Category "C" for 20 Minute Rated Category B Wood Doors Perimeter Application Up To:
Single Swing 4'0 X 8'0
Pairs 8'0 X 8'0
Use 9800 at the Meeting Edge of Pairs



SMOKE AND DRAFT CONTROL - CATEGORY "H":

Up to 3 Hours Hollow Metal Fire Doors
Up to 90 Minutes Wood Fire Doors
Meets Requirements of RoHS Directive
Use 5070 at the Meeting Edge of Pairs

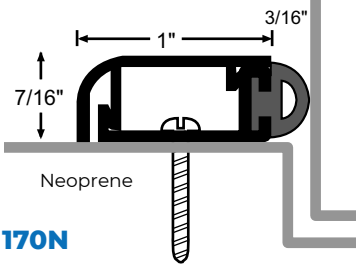
CONCEALED FASTENER SEALS

- ▶ Snap-On Cover Conceals Screw Heads for Clean Appearance
- ▶ #6 X 3/4" Stainless Steel Sheet Metal Screws Furnished
- ▶ Screw Holes Slotted for Adjustment

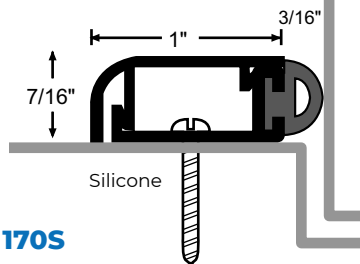


172NA

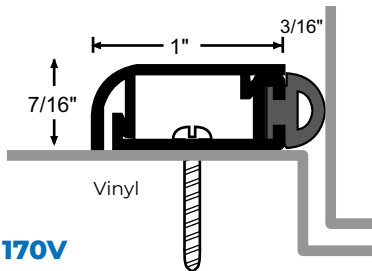
Anodized Aluminum
Neoprene Perimeter
Seal with Concealed
Fastener



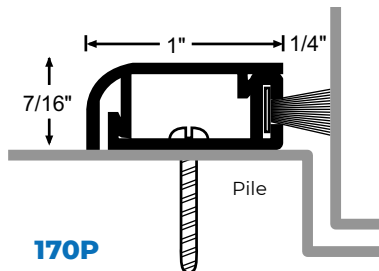
170N



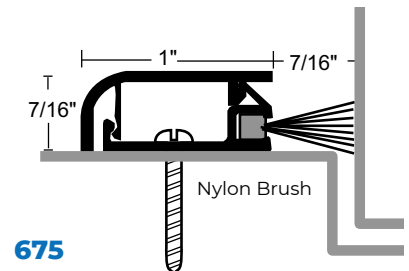
170S



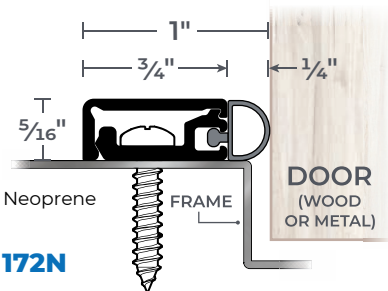
170V



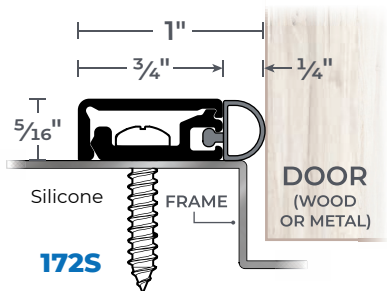
170P



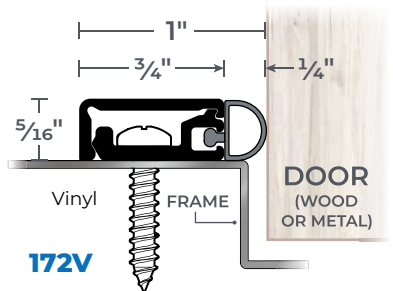
675



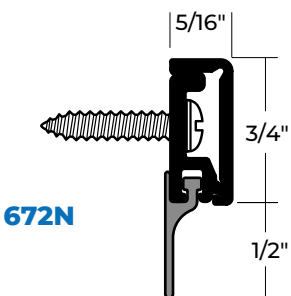
172N



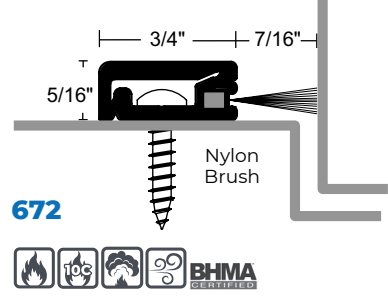
172S



172V



672N



672



MATERIALS & FINISHES

- A: Clear Anodized Aluminum
- DKB: Aluminum Dark Bronze/Black Anodized

CROSS REFERENCE

NGP	170N	170S	170V	170P	675	172N	172S	172V	672N	672
PEMKO	29310	--	--	--	29324	--	--	--	29324_NB	--
ZERO	--	--	--	--	--	475, 8878	--	--	8142, 8879	8879
HAGER	885SN	885SS	885SV	885SW	882S	--	--	--	884SV	--
KN CROWDER	W-32N	W-32S	--	W-32P	--	--	--	--	--	--

GASKETING

All Products In This Section

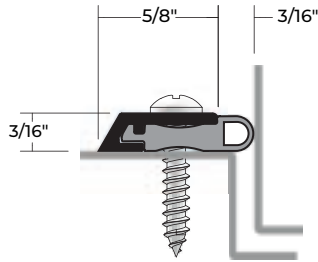


PERIMETER SEALS

110N

Aluminum Neoprene Sponge Seal

- Neoprene is Black



110S

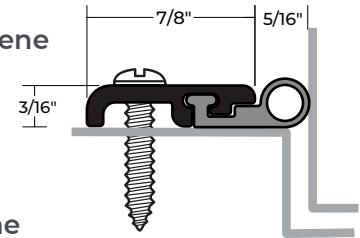
Aluminum Silicone Sponge Seal

- Silicone

137N

Aluminum Neoprene Sponge Seal

- Neoprene



137S

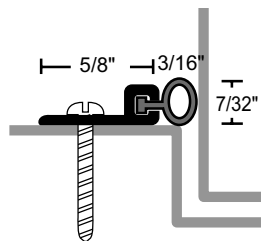
Aluminum Silicone Sponge Seal

- Silicone

155S

Aluminum Silicone Bulb Perimeter Seal

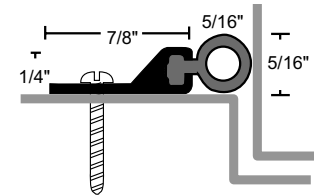
- Dense Silicone



160V

Aluminum Vinyl Perimeter Seal

- Vinyl



160S

Aluminum Silicone Bulb Perimeter Seal

- Silicone

155V

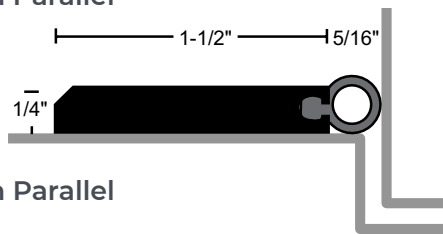
Aluminum Vinyl Perimeter Seal

- Vinyl

700N

Compatible with Parallel Arm Closers

- Neoprene



700S

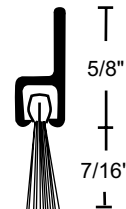
Compatible with Parallel Arm Closers

- Silicone

A605

Aluminum Nylon Brush Seal

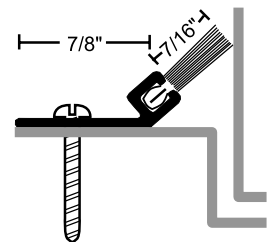
- Nylon Brush



A626

Aluminum Nylon Brush Seal

- Nylon Brush



MATERIALS & FINISHES

- No Suffix: Mill Aluminum
- A: Clear Anodized Aluminum
- DKB: Aluminum Dark Bronze/Black Anodized

CROSS REFERENCE

NGP	110	137N	137S	155	160V	160S	700N	700S	A605	A626
PEMKO	332	319_E	--	--	303_V	303_S		2891-S	18041	45041
ZERO	--	326, 328	--	--	--	--	429	--	8193, 8304	--
HAGER	873S	862S	--		891SV	--	--	--	893S	803S
KN CROWDER	--	W-50S	W-50S	W-2	W-1	W-16	--	--	W-25S	W-23



GASKETING

ASTRAGALS

158N Aluminum Overlapping Astragal with Neoprene Seal

- Neoprene

158V Aluminum Overlapping Astragal with Vinyl Seal

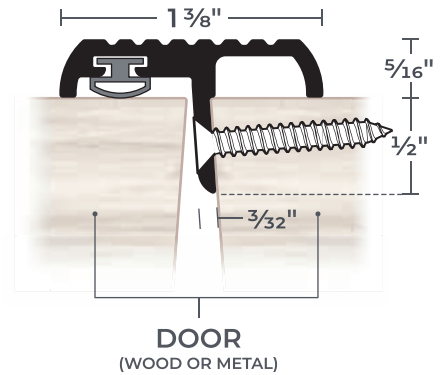
- Vinyl

158S Aluminum Overlapping Astragal with Silicone Seal

- Silicone

158P Aluminum Overlapping Astragal with Polypropylene Pile Seal

- Polypropylene Pile



MATERIALS & FINISHES

- A: Clear Anodized Aluminum
- DKB: Aluminum Dark Bronze/Black Anodized

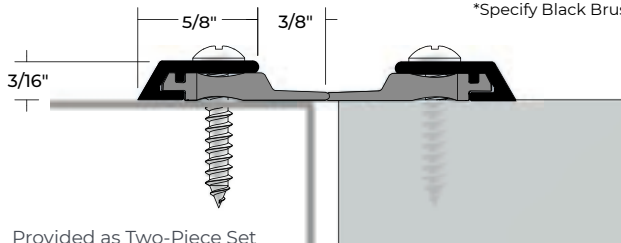
CROSS REFERENCE

NGP	158	115
PEMKO	355	329_N
ZERO	41, 383	8194
HAGER	837S	872S
KN CROWDER	W-9	W-5

115N Fire-Rated Aluminum Astragal with EPDM Seal

METAL	EPDM
A - Anodized Aluminum	Black
DKB - Aluminum Dark Bronze/Black Anodized	Black
No Suffix - Mill Aluminum	Black

*Specify Black Brush if Desired



Provided as Two-Piece Set

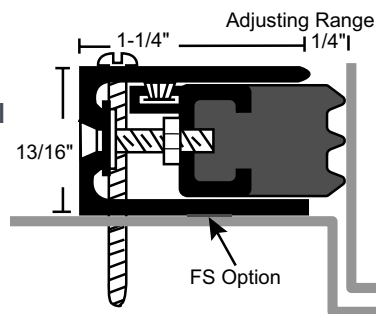
All Products In This Section



ADJUSTABLE PERIMETER SEALS

103N Aluminum Adjustable Neoprene Perimeter Seal

- Neoprene



MATERIALS & FINISHES

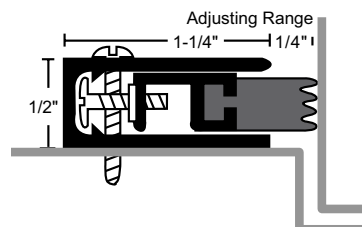
- A: Clear Anodized Aluminum
- DKB: Aluminum Dark Bronze/Black Anodized

OPTIONS:

- Foam back seal - suffix 'FS'
- FATT - Fast Attach Tape

107N Aluminum Adjustable Neoprene Perimeter Seal

- Neoprene



CROSS REFERENCE

NGP	103	107
PEMKO	350_S	379
ZERO	170	--
HAGER	865S	864S
KN CROWDER	--	W-42

107S Aluminum Adjustable Silicone Perimeter Seal

- Silicone

GASKETING

All Products In This Section

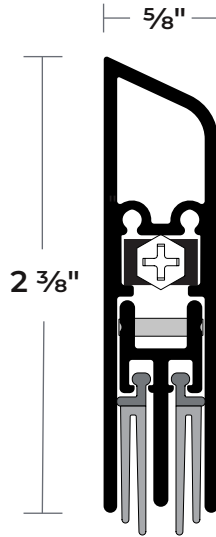


AUTOMATIC DOOR BOTTOMS

220N

Aluminum Surface,
Automatic Door Bottom
with Neoprene Seal

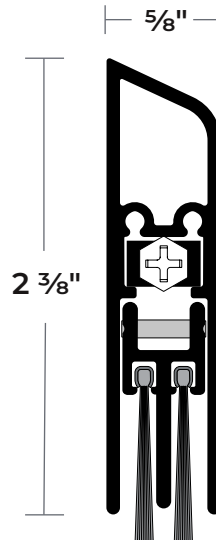
- Neoprene is Black



220S

Aluminum Surface,
Automatic Door Bottom
with Silicone Seal

- Silicone is Black

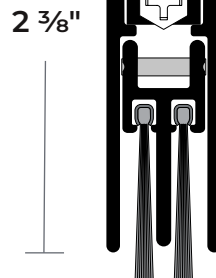


220WH

Aluminum Surface,
Automatic Door Bottom
with Nylon Brush Seal

- Aluminum Finish - *Gray Brush*
Aluminum Dark Bronze/Black
Anodized Finish - *Black Brush*

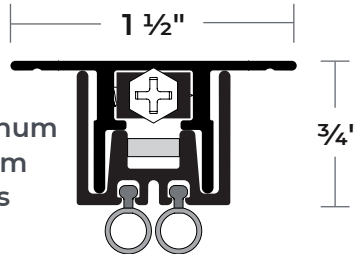
*Nylon Brush Recommended for
Carpet Applications Where No
Threshold is Provided.*



320NA

Clear Anodized Aluminum
Automatic Door Bottom
for Hollow Metal Doors

- Neoprene is Black



320SA

Clear Anodized Aluminum
Automatic Door Bottom
for Hollow Metal Doors

- Silicone is Black

320VA

Clear Anodized Aluminum
Automatic Door Bottom for
Hollow Metal Doors

- Vinyl is Black

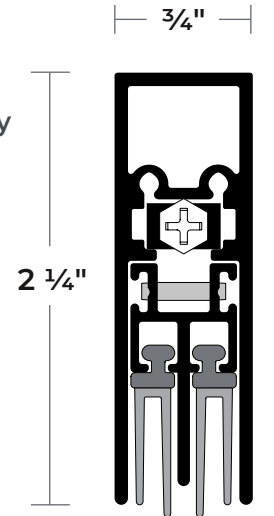
MATERIALS & FINISHES

- A: Clear Anodized Aluminum
- DKB: Aluminum Dark Bronze/
Black Anodized

420N

Aluminum Heavy-Duty
Surface, Automatic
Door Bottom with
Neoprene Seal

- Neoprene is Black

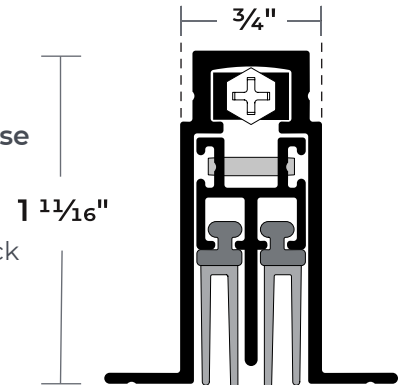


Mortise Required
3/4" x 1 1/16"

423NA

Mill Aluminum
Heavy-Duty Mortise
Automatic Door
Bottom

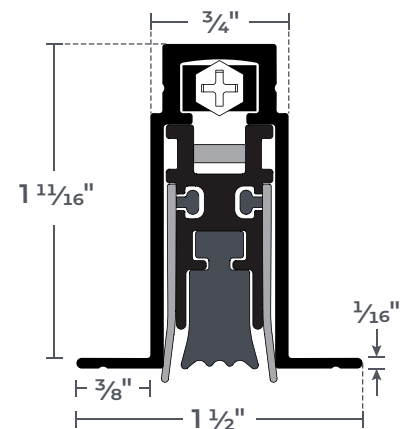
- Neoprene is Black



Mortise Required
3/4" x 1 1/16"

423STC

Mill Aluminum
Heavy-Duty Mortise
Automatic Door
Bottom



CROSS REFERENCE

NGP	220	420N	423N	320
PEMKO	--	430	434	420
ZERO	--	361	360	355
HAGER	321	747S	743S	
KN CROWDER	--	CT-52	CT-53	742SN, 742SV

GASKETING

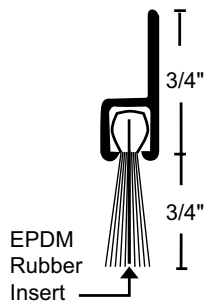
All Products In This Section



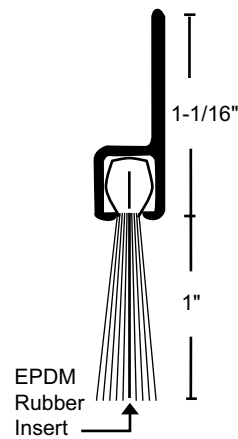
NYLON BRUSH SEALS WITH EPDM RUBBER INSERT

- EPDM Rubber Insert Protects Against Water Penetration and Provides an Effective Bottom Seal for Exterior Doors
- Excellent Abrasion Resistance, Flexibility and Memory
- Moisture-Resistant
- Retains Insecticides Well
- Temperature Range - 60°F to 300°F
- #6 x 3/4" Stainless Steel SMS Furnished
- Screw Holes Slotted for Adjustment

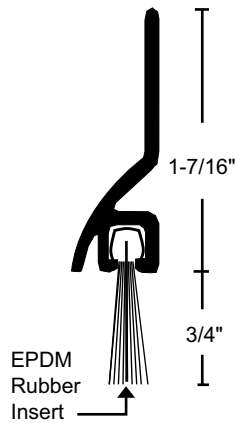
PRODUCT#	FINISH
SUFFIX	
A	Clear Anodized with Black Brush
DKB	Aluminum Dark Bronze/ Black Anodized with Black Brush



C697



D698



C699

GASKETING

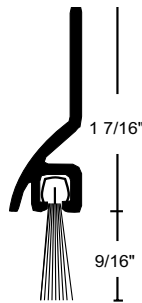
All Products In This Section



DOOR SWEEPS

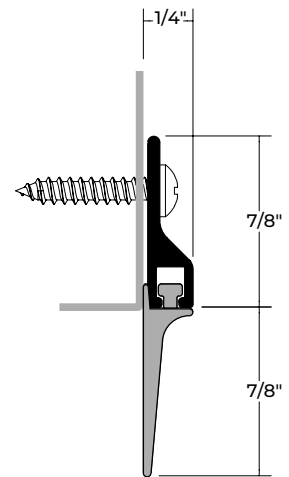
C627 BHMA CERTIFIED Nylon Brush Sweep

- Aluminum Finish - *Gray Brush*
- Aluminum Dark Bronze/Black Anodized Finish - *Black Brush*



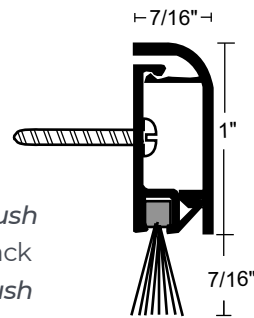
97V Vinyl Sweep

- Vinyl is Black



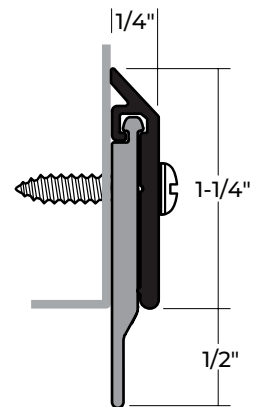
675 BHMA CERTIFIED Concealed Fastener Nylon Brush Perimeter Seal or Sweep

- Aluminum Finish - *Gray Brush*
- Aluminum Dark Bronze/Black Anodized Finish - *Black Brush*



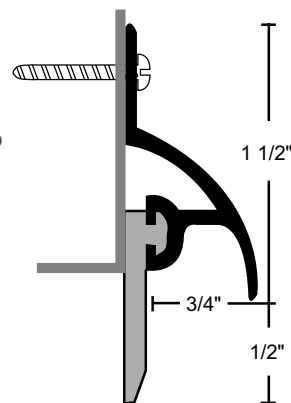
200N BHMA CERTIFIED Aluminum Neoprene Door Sweep

200S BHMA CERTIFIED Aluminum Silicone Door Sweep



101V Aluminum Vinyl Door Sweep

- Vinyl is Black



CROSS REFERENCE

NGP	C627	97V	675	200	101V
PEMKO	345_NB	307	29324	315_N	345_V
ZERO	8198	8191	-	50M/39	8197
HAGER	770SB	756S	882S	750S	770SV
KN CROWDER	W-35-1	W-4	-	W-13S, W-38S	-

MATERIALS & FINISHES

- No Suffix: Mill Aluminum
- A: Clear Anodized Aluminum
- DKB: Aluminum Dark Bronze/Black Anodized

GASKETING

All Products In This Section

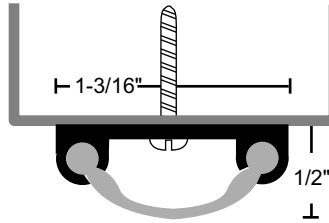


DOOR SHOES

12V

Aluminum Smooth Vinyl Door Shoe

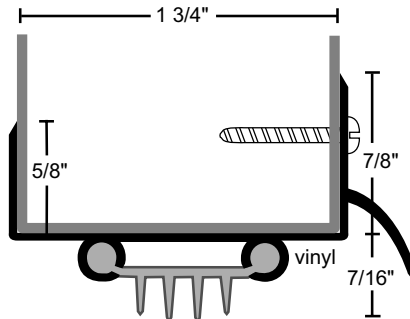
- ▶ Vinyl is Black



319EV

Aluminum Finned Vinyl Door Shoe

- ▶ Vinyl is Black



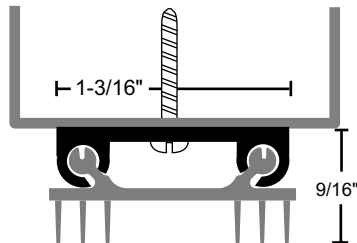
12T6

Aluminum Thermoplastic Door Shoe

- ▶ Thermoplastic is Dark Brown



STC 52
Requires STC-FH
option



CROSS REFERENCE

NGP	12V	319EV	36ET6
PEMKO	208_V	216	-
HAGER	-	778SV	-
KN CROWDER	-	CT-745	-

MATERIALS & FINISHES

- No Suffix: Mill Aluminum
- DKB: Aluminum Dark Bronze/Black Anodized



VINYL THRESHOLDS, SMOKE SEAL

401

Hospitality Vinyl Carpet/Tile Divider Threshold

- ▶ Vinyl is Black



* When Installed as Illustrated Between Carpet and/or Tile

400

Hospitality Vinyl Carpet/Tile Divider Threshold

- ▶ May be Field Trimmed for Narrower Widths
Max Length = 73"
- ▶ Vinyl is Black



* When Installed as Illustrated Between Carpet and/or Tile

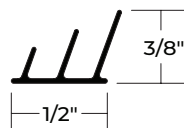
5075

Silicone Triple Fin Smoke Seal

PART #	COLORS
5075C	CHARCOAL
5075CL	CLEAR
5075W	WHITE*

Available in 17', 20', 21'**, 25" and 300* Rolls

* White Only Available in 17' Rolls



STC 52

CROSS REFERENCE

NGP	401	400	5075
PEMKO	EV232BL	--	S773
ZERO	1685	--	8150S-BK
HAGER	900S	905S	738S
KN CROWDER	--	--	W-63

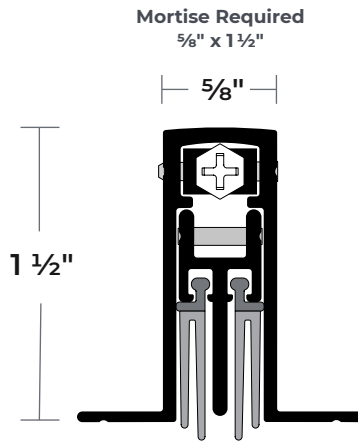
HOSPITALITY

DOOR BOTTOMS, DOOR SHOES, DOOR GUARDS

335NA

Mortise Automatic Door Bottom with Neoprene Seal

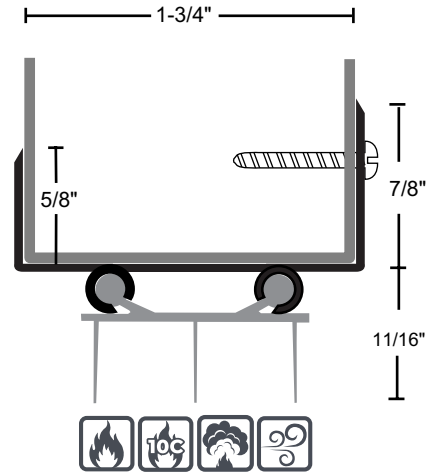
- ▶ Minimum Length 11 1/2", Maximum Length 60"
- ▶ Fits Wood Fire Door Mortise Restrictions
- ▶ Neoprene is Black



36ET

Thermoplastic Door Shoe

- ▶ Thermoplastic is Dark Brown

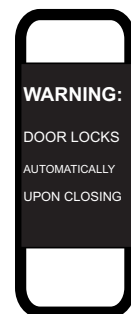
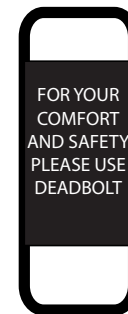
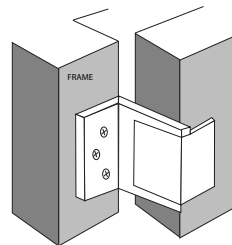
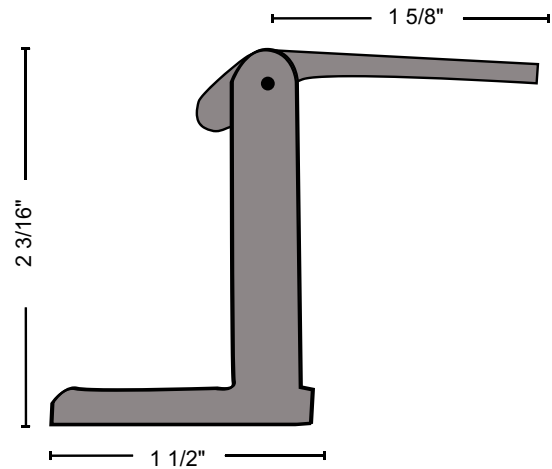


SDG

Security Door Guard

SKU	COLORS
SDG-3	POLISHED BRASS US3
SDG-4	SATIN BRASS US4
SDG-10B	DARK BRONZE US10B
SDG-26	POLISHED CHROME US26
SDG-26D	SATIN CHROME US26D
SDG-DS*	STICKER FOR RETROFIT
SDG-WS*	STICKER FOR RETROFIT

*Covers Holes Left in Door and Frame from Removal of Swing-Bar Type Door Guards



SDG-DS SDG-WS

CROSS REFERENCE

NGP	335N	36ET	SDG
PEMKO	411	--	PDL
ZERO	320	--	--
KN CROWDER	CT-51	--	--

FINGER GUARD

Prevent Injury to Fingers Accidentally Placed in the Hinge Area of a Door

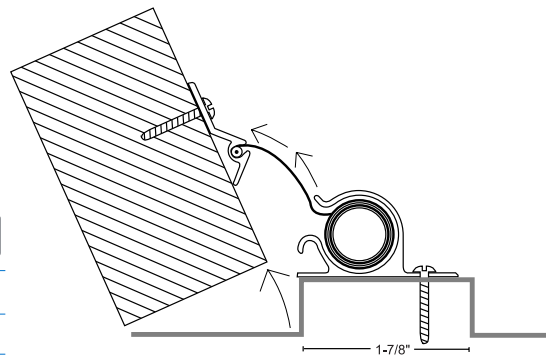
- ▶ Ideal for Senior & Childcare Facilities
- ▶ Anodized Aluminum Housing
- ▶ Durable "Endless Cycle" Spring Mechanism
- ▶ Mounts on Push Side of Door

2248



SKU	MATERIAL
2248	Aluminum Clear Anodized W/ White Polyethylene
2248DKB	Dark Bronze/Black Anodized W/ Black Polyethylene

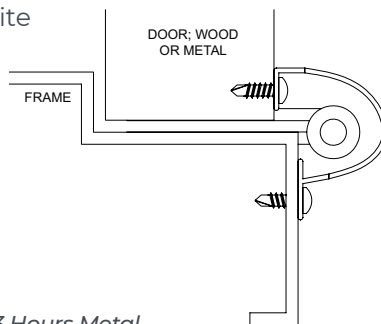
Rated Up to 3 Hours Metal Doors, 1 Hour Wood Doors



Details Not to Scale

HINGE SIDE FINGER GUARD

- ▶ Available in Brown, Charcoal and White
- ▶ 83" Length
- ▶ Can Be Cut in the Field
- ▶ Mounts on Pull Side of Door
- ▶ #6 X 1/2" Tek Self-Drilling Screws



2252



SKU	COLOR
2252C	CHARCOAL
2252W	WHITE

Rated Up to 3 Hours Metal Doors, 1 1/2 Hours Wood Doors

CROSS REFERENCE

NGP	2248	2252
ZERO	--	951, 972, 974

FLOOD SHIELD

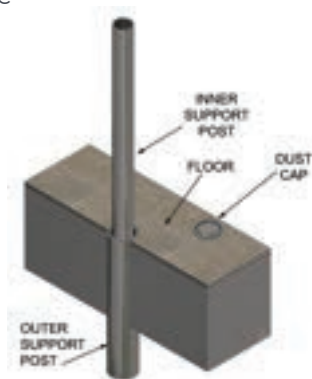
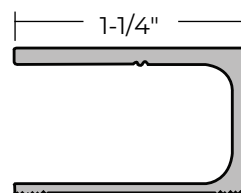
- ▶ 1/4" Marine Grade Aluminum Shield with Handle Cutouts
- ▶ Closed Cell Neoprene Rubber Gaskets Installed on Bottom and Sides of Shield
- ▶ Anodized Aluminum Mounting Channels
- ▶ Universal Channels can Install Inside or Outside Mount
- ▶ Stainless Steel Springs Provide Seal Compression

SKU	HEIGHT
FS10	12" High With 10" of Flood Protection
FS22	24" High With 22" of Flood Protection
FS34	36" High With 34" of Flood Protection

- ▶ Complies with Guidelines of the Federal Emergency Management Agency (FEMA) and Federal Insurance and Mitigation Administration (FIMA) for Use on Doors in Flood Prone Areas
- ▶ Lengths Up To 96" Available
- ▶ A Center Support Post is Recommended for Installations Over 50"
- ▶ Orders for this Product are Non-Changeable and Non-Cancellable



MOUNTING CHANNEL



FSSP Optional Center Support & Cap

CROSS REFERENCE

NGP	FS10	FS22	FS34	FSSP
ZERO	2070A-10	2070A-24	2070A-36	--

LITE KITS & LOUVERS

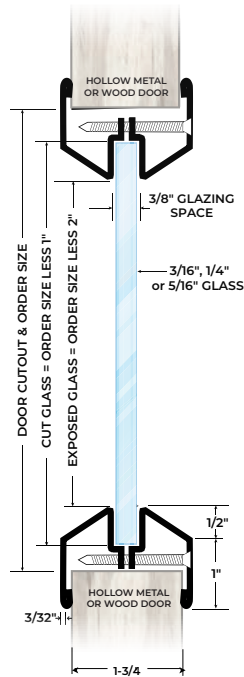
All Products On This Page



L-FRA100

Low Profile Lite Kit

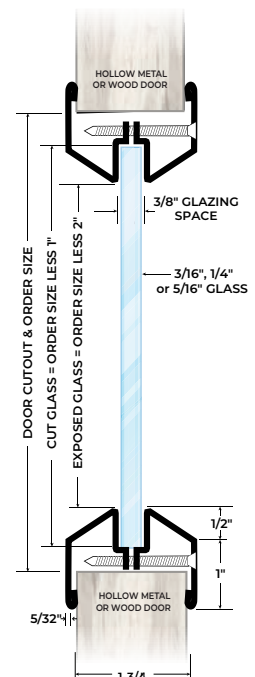
- For 1 3/4" Thick Doors and 3/16", 1/4", or 5/16" Glass
- 18 Ga. Cold Rolled Steel
- Mitered and Welded Corners
- Gray Primer (GPZ) Powder Coat Finish Standard



L-CVFM-SS

Stainless Steel Lite Kit

- For 1 3/4" Thick Doors and 3/16", 1/4", or 5/16" Glass
- 18 Ga. Type 304 Stainless Steel
- Mitered and Welded Corners
- #4 Satin Finish



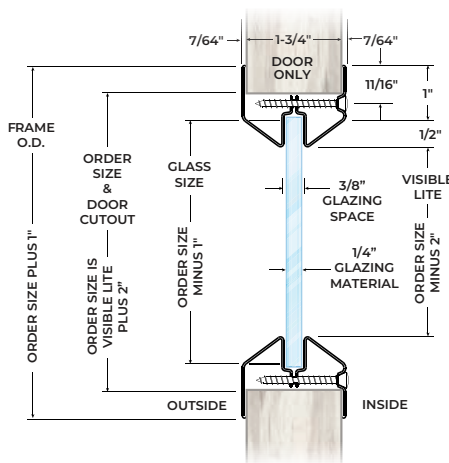
Anemostat

DOOR PRODUCTS

LO-PRO

Low Profile Lite Kit

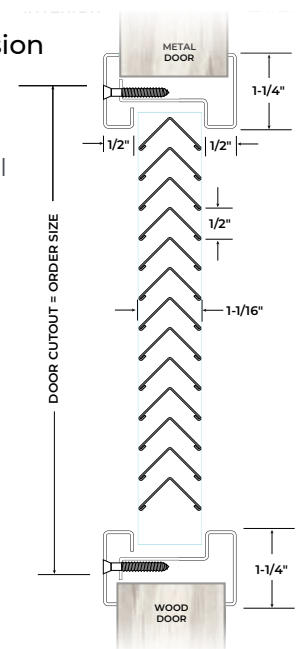
- For 1 3/4" Thick Doors and 3/16", 1/4", or 5/16" Glass
- 20 Ga. Cold Rolled Steel
- Mitered and Welded Corners
- Gray Primer (GPZ) Powder Coat Finish Standard



L-700-RX, AFDL

Self-Attaching, No Vision Door Louver

- For 1 3/4" Thick Doors
- 18 Ga. Cold Rolled Steel
- Mitered and Welded Corners
- Inverted "V" Design
- Gray Primer (GPZ) Powder Coat Finish Standard



CROSS REFERENCE

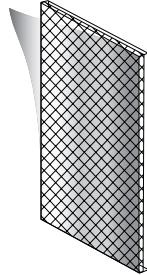
NGP	L-FRA100	L-CVFM-SS	L-700-RX	LO-PRO
AIR LOUVERS	VSL	VSL-S	800A1, 600A1	VSL
ROCKWOOD	LT-B1	LT-B1 Stainless Steel	LV-1Y	LT-B1

GLASS

PROTECT3™

Fire Protective Safety Wired Glass

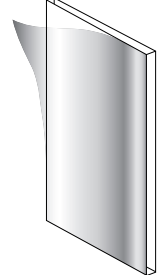
- ¼" Thick
- Safety Filmed Wired Glass
- Fire Protective Rated
- Impact Safety-Rated
- STC 28



PYRAN® PLATINUM F

Fire-Protective Safety Glass Ceramic

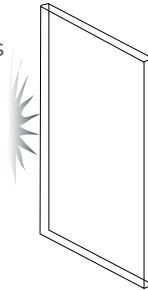
- ⅜" Thick
- Safety Filmed Glass Ceramic
- Fire Protective Rated
- Impact Safety-Rated
- Clear & Wireless Glass
- STC 31



20T

20-Minute Fire-Protective Glass

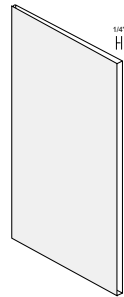
- ¼" Thick
- Clear & Wireless, Tempered Glass
- Superior Optical Clarity
- Fire Protective Rated
- Impact Safety-Rated
- STC 28



LAMINATED GLASS

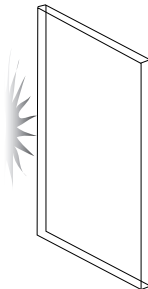
Impact Safety-Rated Laminated Architectural Glass

- ¼" Thick
- Comprised of Two Pieces of Glass and a .030" PVB Interlayer
- Manufactured in USA
- NON-Fire-Rated
- STC 35



TEMPERED GLASS

- ¼" Thick
- Heat Treated Glass
- Impact Safety-Rated
- Clear & Wireless Glass
- STC 31



INSULATED TEMPERED GLASS

- 1" Thick
- Comprised of Two Pieces ¼" Thick Clear Tempered Glass With ½" Air Space Between and Butyl Seal
- Impact Safety-Rated
- Clear & Wireless Glass
- STC 35

CROSS REFERENCE

PROTECT3	PYRAN® PLATINUM F	20T
WireLiteNT, Wireshield	FireLite® NT	Fireglass 20

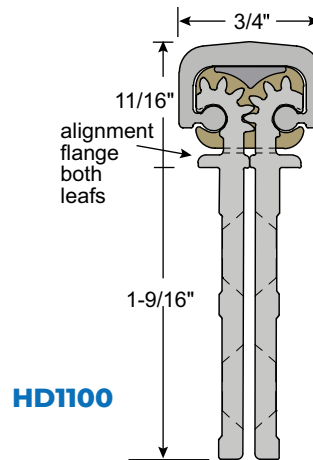
CONTINUOUS HINGE



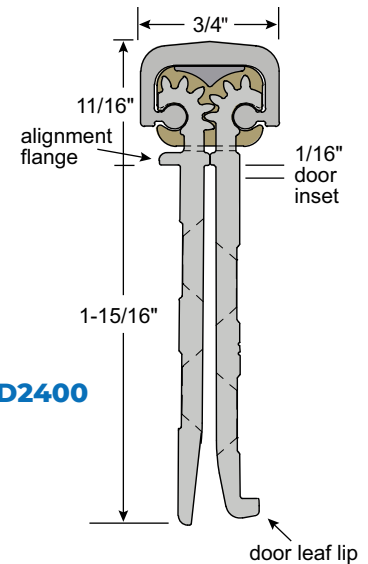
ALUMINUM GEARED

CONCEALED

- Proprietary Teflon Infused Self-Lubricating Wear Resistant Bearings
- No Hinge Reinforcement Necessary Except on Extremely Heavy, Extremely High-Frequency or Extra-Wide Doors
- Lifetime of the Door Opening Warranty
- Standard Lengths: 83", 85", 95", 119"



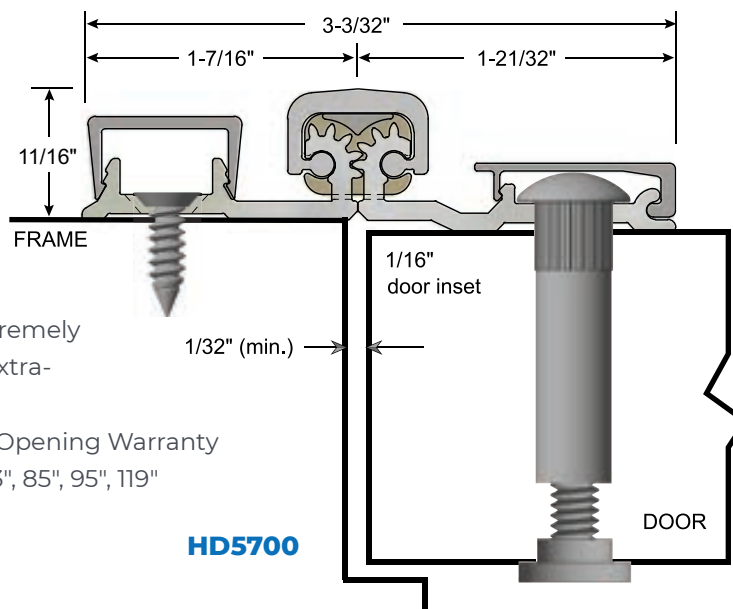
HD1100



HD2400

FULL SURFACE

- Proprietary Teflon Infused Self-Lubricating Wear Resistant Bearings
- No Hinge Reinforcement Necessary Except on Extremely Heavy, Extremely High-Frequency or Extra-Wide Doors
- Lifetime of the Door Opening Warranty
- Standard Lengths: 83", 85", 95", 119"



HD5700



CROSS REFERENCE

NGP	HD1100	HD2400	HD5700
SELECT	SL11 HD	SL24 HD	SL57HD
ROTON	780-112LL	780-224HD	780-057HD
PEMKO	FMSLF-HD1	FM-HD1	FSCP-HD1
STANLEY	661HD	662HD	-
ABH	A110HD	A240HD	A570HD
PBB	CG31	CG31L	CG57
IVES	112HD	224HD	157XY*

*XY Type = Patented Center Load Bearing

Available Options:

- 1/2" Wood Screws
- Torx Screws
- Cut to Net Length
- Anti-Ligature Hospital Tip
- Dutch Door Prep
- Electric Thru-Wire
- Electric Power Transfer Prep
- Std. Lengths 83", 85", 95", 119"
- Furnished with TEK M.S.

Finishes:

- A - Anodized Aluminum
- DKB - Aluminum Dark Bronze/Black Anodized

CONTINUOUS HINGE



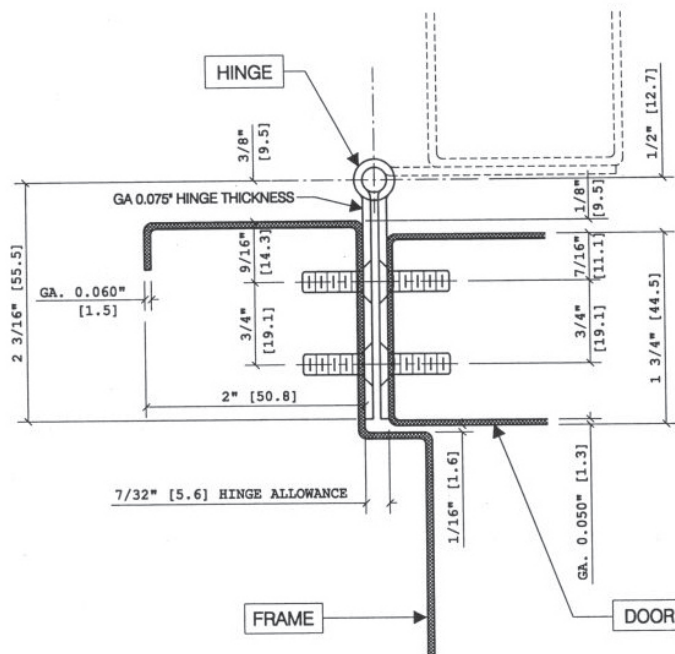
STAINLESS STEEL

CONCEALED

- ◆ Heavy-Duty Type 304, 14-Gauge Stainless Steel
- ◆ Pin and Barrel Design
- ◆ Stainless Steel Hinge Pins
- ◆ Medical Type Self-Lubricating Flanged Bearings Between Each 2" Knuckle Provide Dust-Free Quiet and Smooth Operation
- ◆ For Doors Weighing up to 600 lbs.
- ◆ 25-Year Warranty
- ◆ Standard Lengths: 83", 85", 95", 119"

14 Gauge Type 304 Stainless Steel Pin and Barrel Design

SS300



CROSS REFERENCE

NGP	SS300
MARKAR	FM300
SELECT	SL300
HAGAR	790-900
ABH	A500
IVES	700
STANLEY	651
PBB	CH51

Available Options:

- 1/2" Wood Screws
- Torx Screws
- Cut to Net Length
- Anti-Ligature Hospital Tip
- Dutch Door Prep
- Welded Tips
- Electric Thru-Wire
- Electric Power Transfer Prep
- Std. Lengths 83", 85", 95", 119"
- Furnished with TEK M.S.

Wood Screws
Finishes:
 Brushed Stainless Steel
 US32D (630)

SLIDING DOOR HARDWARE

BY-PASS, BI-FOLD

SLAL-75-BP

Aluminum By-Pass Side Mount Track System

SKU	TRACK LENGTH
SLAL-75-BP-48	48"
SLAL-75-BP-60	60"
SLAL-75-BP-72	72"
SLAL-75-BP-96	96"



SLAL-75-BPF

Aluminum By-Pass Side Mount Track System with Fascia

SKU	TRACK LENGTH
SLAL-75-BPF-48	48"
SLAL-75-BPF-60	60"
SLAL-75-BPF-72	72"
SLAL-75-BPF-96	96"



SLAL-75-BF

Aluminum Bi-Fold Top Mount Track System

TWO-DOOR SYSTEMS

SKU	TRACK LENGTH
SLAL-75-BF2DR-36	36"
SLAL-75-BF2DR-48	48"

FOUR-DOOR SYSTEMS

SKU	TRACK LENGTH
SLAL-75-BF4DR-60	60"
SLAL-75-BF4DR-72	72"
SLAL-75-BF4DR-96	96"



CROSS REFERENCE

NGP	SLAL-75-BP	SLAL-75-BPF	SLAL-75-BF
HAGER	9514	9614	9570
PEMKO	--	--	HF2/100A
STANLEY	BPC60A-00	--	BFC50-00
LE JOHNSON	2200	2200F	100FS
KN CROWDER	C-600	--	CF-100

SLIDING DOOR HARDWARE

BY-PASS, SIDE WALL MOUNT

SLAL-250-BP

Aluminum By-Pass Top Mount Track System

TWO-DOOR SYSTEMS

SKU	TRACK LENGTH
SLAL-250-BP-2DR-48	48"
SLAL-250-BP-2DR-60	60"
SLAL-250-BP-2DR-72	72"
SLAL-250-BP-2DR-96	96"
SLAL-250-BP-2DR-144	144"

FOUR-DOOR SYSTEMS

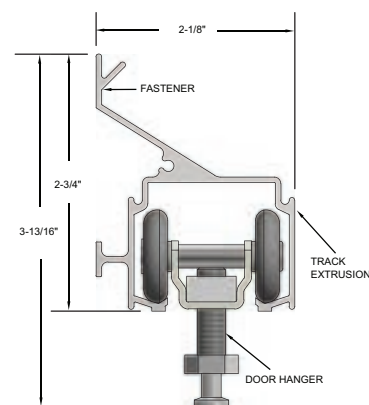
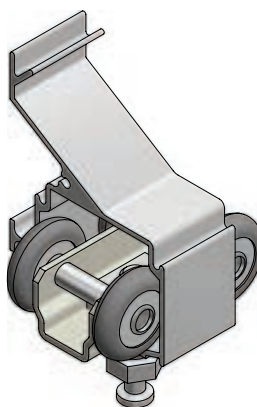
SKU	TRACK LENGTH
SLAL-250-BP-4DR-48	48"
SLAL-250-BP-4DR-60	60"
SLAL-250-BP-4DR-72	72"
SLAL-250-BP-4DR-96	96"
SLAL-250-BP-4DR-144	144"



SLAL-250-SW

Aluminum Side Wall Mount Track System

SKU	TRACK LENGTH
SLAL-250-SW-48	48"
SLAL-250-SW-60	60"
SLAL-250-SW-72	72"
SLAL-250-SW-96	96"
SLAL-250-SW-144	144"



CROSS REFERENCE

NGP	SLAL-250-BP	SLAL-250-SW
HAGER	9611	9710
PEMCO	HBP200A	280C-SWKIT
STANLEY	BPC150N-00	-
LE JOHNSON	100SM	2610
KN CROWDER	C-500	C-412

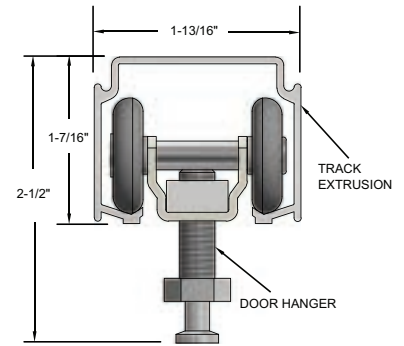
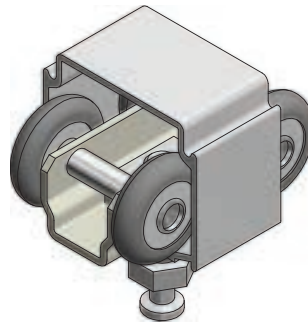
SLIDING DOOR HARDWARE

POCKET DOOR/FRAME KIT

SLAL-250-PD

Aluminum Top Mount Track System **BHMA CERTIFIED**

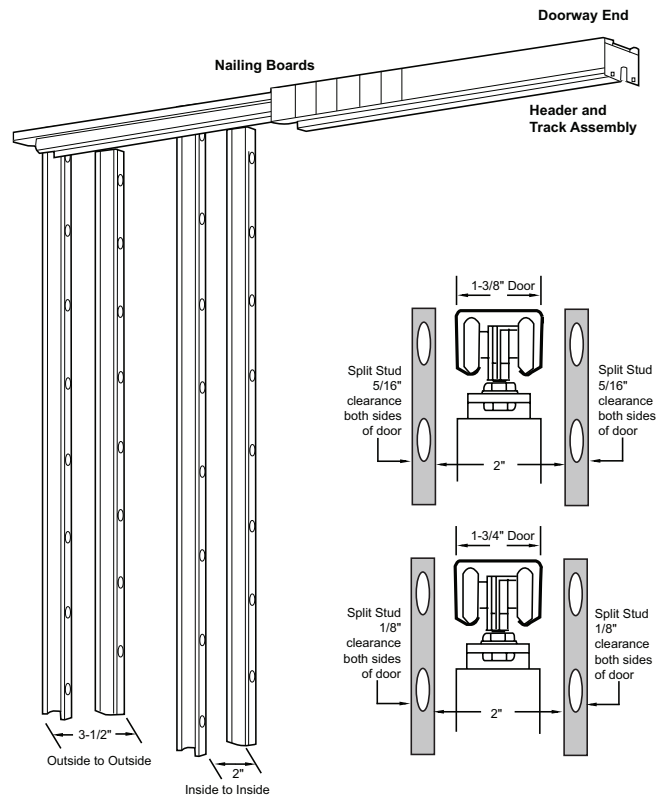
SKU	TRACK LENGTH
SLAL-250-PD-48	48"
SLAL-250-PD-60	60"
SLAL-250-PD-72	72"
SLAL-250-PD-96	96"
SLAL-250-PD-144	144"



SLAL-250-PDKIT

Aluminum Top Mount Track System

SKU	APPLICATION	FOR UP TO:
SLAL-250-PDKIT	4" Wood or Metal Stud	3/0 x 7/0
SLAL-250-PDKIT-48"DR	4" Wood or Metal Stud	4/0 x 7/0
SLAL-250-PDKIT-6	6" Wood Stud (5 1/2" Header)	3/0 x 7/0
SLAL-250-PDKIT-6-48"	6" Wood Stud (5 1/2" Header)	4/0 x 7/0
SLAL-250-PDKIT-6M	6" Metal Stud (6" Header)	3/0 x 7/0
SLAL-250-PDKIT-6M-48"	6" Metal Stud (6" Header)	4/0 x 7/0



CROSS REFERENCE

NGP	SLAL-250-PD	SLAL-250-PDKIT
HAGER	9678	9630
PEMKO	H200A	PF28200A6080
STANLEY	PDC150N-00	PDC150N-00
LE JOHNSON	100PD	1500PF
KN CROWDER	C-411	TYPE B

SLIDING DOOR HARDWARE

STAINLESS STEEL

SLSS1

Sliding Door Hardware, Stainless Steel Top Mount Round Track System



STAINLESS STEEL TOP MOUNT ROUND TRACK SYSTEM (WITH SOFT CLOSE)

STAINLESS STEEL TOP MOUNT ROUND TRACK SYSTEM

SKU	TRACK LENGTH
SLSS1-6	78 ³ / ₄ "
SLSS1-8	98 ⁷ / ₁₆ "

SKU	TRACK LENGTH
SLSS1-6-SC*	78 ³ / ₄ "
SLSS1-8-SC*	98 ⁷ / ₁₆ "

SLSS2

Sliding Door Hardware, Stainless Steel Side Mount Round Track System



STAINLESS STEEL SIDE MOUNT ROUND TRACK SYSTEM (WITH SOFT CLOSE)

STAINLESS STEEL SIDE MOUNT ROUND TRACK SYSTEM

SKU	TRACK LENGTH
SLSS2-6	78 ³ / ₄ "
SLSS2-8	98 ⁷ / ₁₆ "

SKU	TRACK LENGTH
SLSS2-6-SC*	78 ³ / ₄ "
SLSS2-8-SC*	98 ⁷ / ₁₆ "

** Soft Close / Open Hardware is Included for Both Directions in Addition to the SLSS1-6 and SLSS1-8 Complete Kit Contents*

CROSS REFERENCE

NGP	SLSS1	SLSS2	SLSS1-6-SC	SLSS1-8-SC	SLSS2-6-SC	SLSS2-8-SC
PEMKO	W60	W100	SFT-W60	SFT-W60	SFT-W100	SFT-W100
HAGER	9432	9436	-	-	-	-
KN CROWDER	CRT-51	CRT-52	-	-	-	-



GAP90
Fire Door
Head/Jamb
Gap Solution

- ▶ 1/8" - 3/8" Gaps on 60 & 90 Minute Doors
- ▶ 1/8" - 9/16" Gaps on 20 & 45 Minute Doors
- ▶ Non-Handed
- ▶ In-Field Modifiable
- ▶ Available in Dark Brown and Gray



GAP90N
Fire Door Head/
Jamb Gap Solution
for Narrow Stops

- ▶ 1/8" - 3/8" Gaps on 60 & 90 Minute Doors
- ▶ 1/8" - 9/16" Gaps on 20 & 45 Minute Doors
- ▶ For Use When the Soffit Depth is Between 1/2" and 1 3/8"
- ▶ Non-Handed
- ▶ In-Field Modifiable
- ▶ Available in Dark Brown and Gray



GAP90-ME
Meeting Edge and
Perimeter Gap Solution

- ▶ Application Certified for Fire Doors and Frames with Excessive Clearance up to 3/8"
- ▶ Non-Handed
- ▶ In-Field Modifiable
- ▶ Gray Finish

 *See Installation Requirements.



9990
Fire Door Top
Gap Solution

- ▶ Door Top Gaps, up to 1/2"
- ▶ Non-Handed
- ▶ In-Field Modifiable
- ▶ Recommended for Doors with Parallel Arm Closers
- ▶ Brushed Stainless Steel Finish

FIRE DOOR ACCESSORIES

UL CERTIFIED FOR USE IN
THE US AND CANADA



9590
Fire Door Bottom
Gap Solution

- ▶ Door Bottom Gaps, up to 1½"
- ▶ Non-Handed
- ▶ In-Field Modifiable
- ▶ Brushed Stainless Steel Finish



9245VA
Intumescent Door
Shoe with Vinyl Seal

9245WH
Intumescent Door
Shoe with
Nylon Brush

UL Certified for Door
Bottom Gaps —
Measuring up to 1½"
and for up to 45 Minutes

Anodized (9245VA, 9245WHA)
Black (9245VDKB, 9245WHDKB)

Pictured:
9245WH



FP180-225
Frame Patch Kit

UL Certified for Steel Fire
Doors and Frames Rated
up to 3 Hours

Maximum Area of Cutout
Concealed by Frame
Patch is 2½ Sq. In.

GAPGUARD FIRE CAULK

- ▶ Fill up to a ½" Diameter Thru-Hole on 60 & 90 Minute Doors
- ▶ Fill up to a 1" Diameter Thru-Hole on 20 & 45 Minute Doors
- ▶ Fully-Cured in 24 Hours
- ▶ Sandable/Paintable
- ▶ Color: Tan
- ▶ 10.0 oz Cartridges, 10 per Box
- ▶ 3.0 oz. Tubes, 6 Tubes per Box




**To retain UL Certification,
the products indicated
must be installed using
GapGuard Fire Caulk.*



9200
Gap Solution for Excessive Fire
Door and Frame Clearances -
Up to 45 Minutes

YOU CAN NOW REMEDIATE:

- Up to ¾" Excessive Clearance on 20-and 45 Minute Fire-Rated Openings



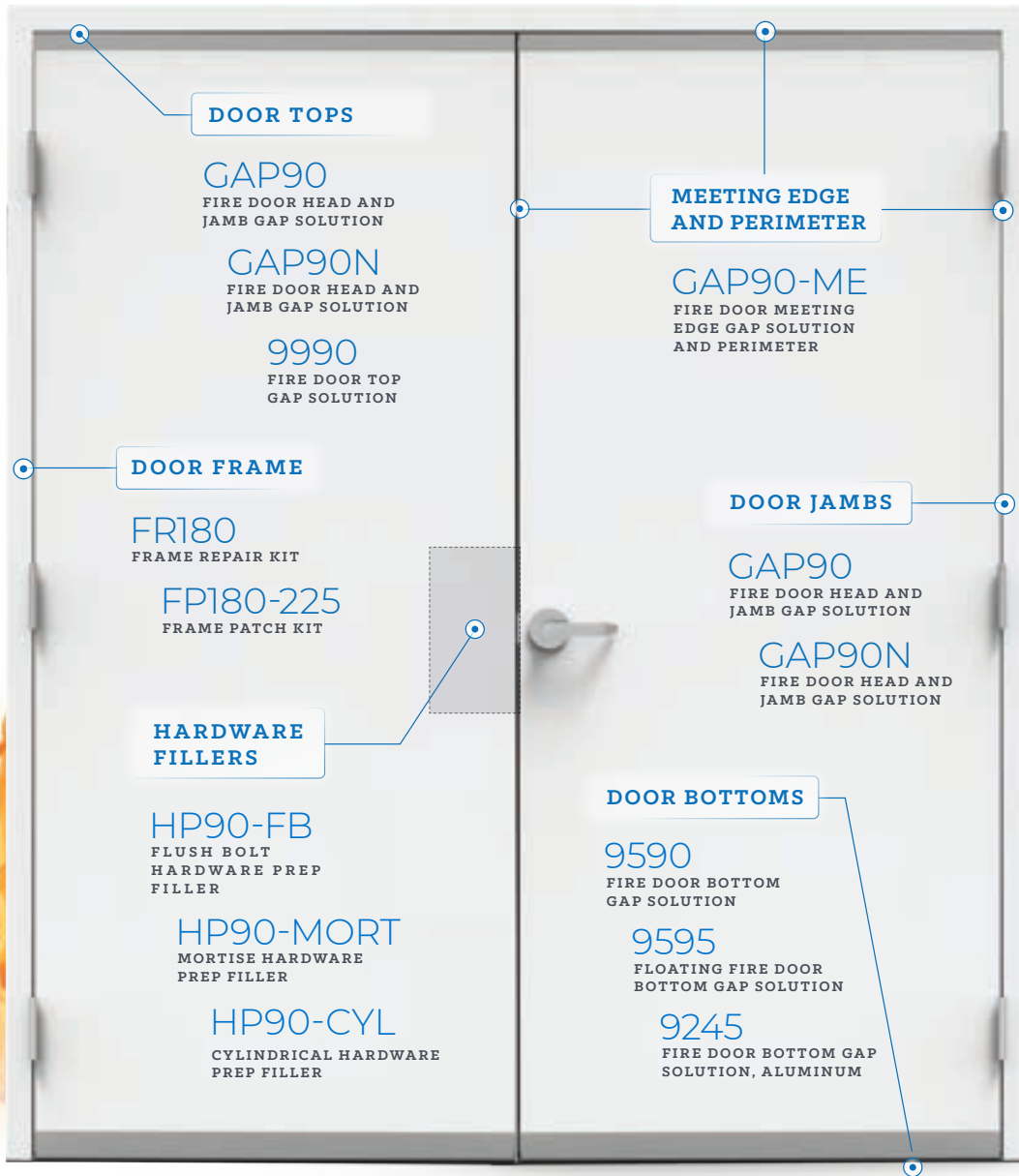
GAPGUARD

FIRE DOOR ACCESSORIES

NOW EVEN MORE

SOLUTIONS

TO GET YOUR EXISTING FIRE DOORS BACK INTO COMPLIANCE



VISIT US ONLINE OR GIVE US A CALL TO LEARN HOW GAPGUARD CAN HELP YOU GET BACK INTO COMPLIANCE!



MEMPHIS | CARSON CITY

NATIONAL GUARD PRODUCTS, INC.

MEMPHIS

4985 East Raines Road
Memphis, TN 38118

CARSON CITY

3689 Arrowhead Drive
Carson City, NV 89706

Fax: (800) 255-7874

Email: info@ngp.com

Quotes: quotes@ngp.com

Orders: orders@ngp.com

ngp.com

1-800-NGP-RUSH



For Our Most Up-to-Date
Condensed Catalog Scan this
QR Code or Visit ngp.com.



For Our Most Up-To-Date
Complete Product Catalog Scan
this QR Code or Visit ngp.com.



ngp.com
1-800-NGP-RUSH

FAX: (800) 255-7874

QUOTES: quotes@ngp.com

ORDERS: orders@ngp.com

MEMPHIS

4985 East Raines Road
Memphis, TN 38118

CARSON CITY

3689 Arrowhead Drive
Carson City, NV 89706