

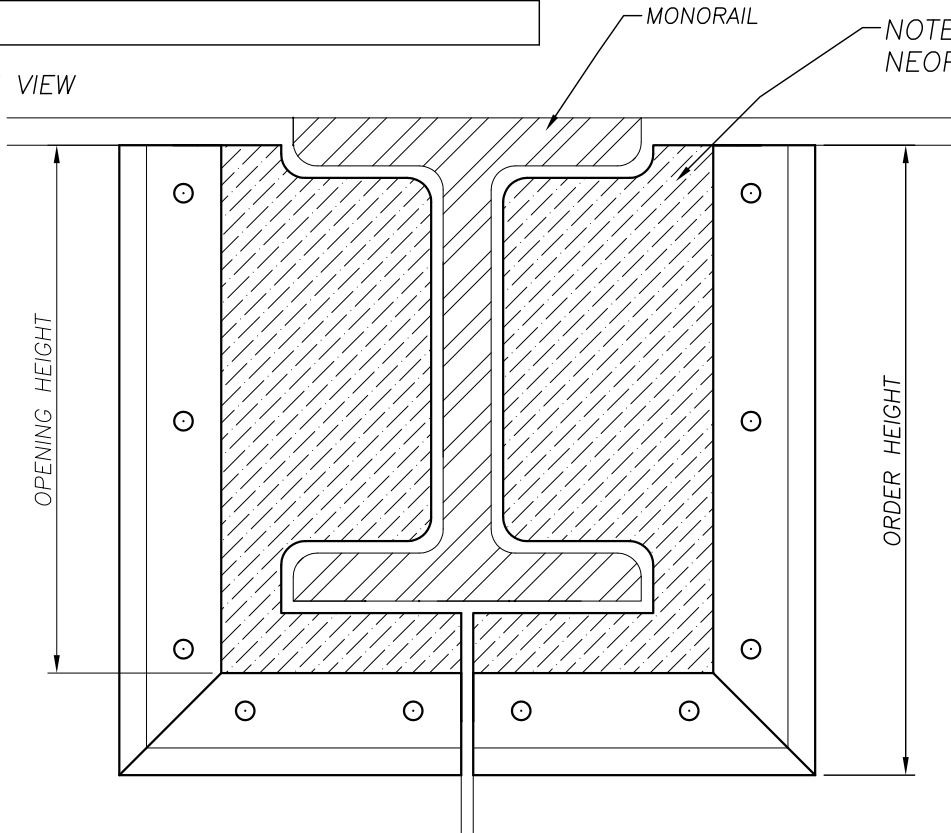
COMPANY:  
 ACCOUNT#  
 ADDRESS:  
 ADDRESS:  
 PHONE:  
 FAX:  
 CONTACT:

MONORAIL GASKETING  
203N

FRONT AND TOP VIEW

REVISIONS			
REV.	DESCRIPTION	DATE	APPR'D
A	REDRAWN	9/24/07	

FRONT VIEW



INFORMATION FOR ORDERING.  
 OPENING WIDTH PLUS 2" = ORDER WIDTH.  
 OPENING HEIGHT PLUS 1" = ORDER HEIGHT.  
 NOTE: FULL NEOPRENE MATERIAL SUPPLIED FOR CUTTING IN FIELD.

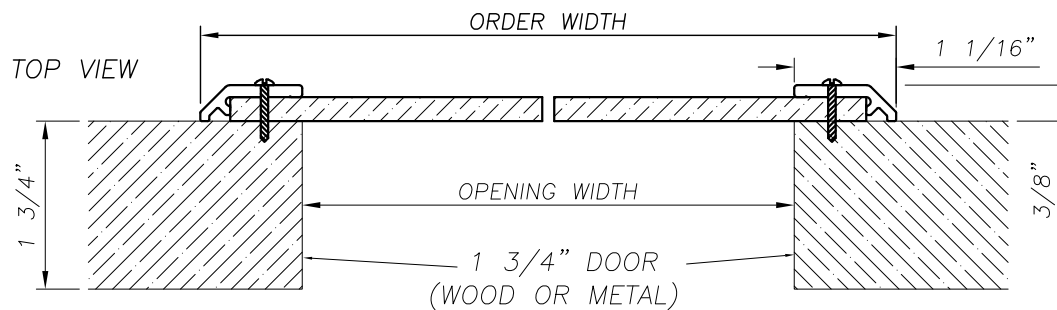
/ ORDER WIDTH = \_\_\_\_\_  
 / ORDER HEIGHT = \_\_\_\_\_

AVAILABLE FINISHES:  
 A = CLEAR ALUMINUM  
 B = GOLD  
 DKB = DARK BRONZE

AVAILABLE GASKET:  
 NEOPRENE (BLACK)

TOLERANCE = +/- 1/16"

TOP VIEW



NATIONAL GUARD PRODUCTS, INC.  
 4985 EAST RAINES ROAD  
 MEMPHIS, TN 38118  
 PHONE (800) 647-7874  
 FAX (800) 255-7874

TITLE  
**MONORAIL GASKETING (203N)**

DRAWN BY: DANNY TOMPKINS

SIZE A	FSCM NO.	DWG NO. 1	REV A
SCALE: HALF		DATE: 9/24/07	SHEET: 1 OF 1