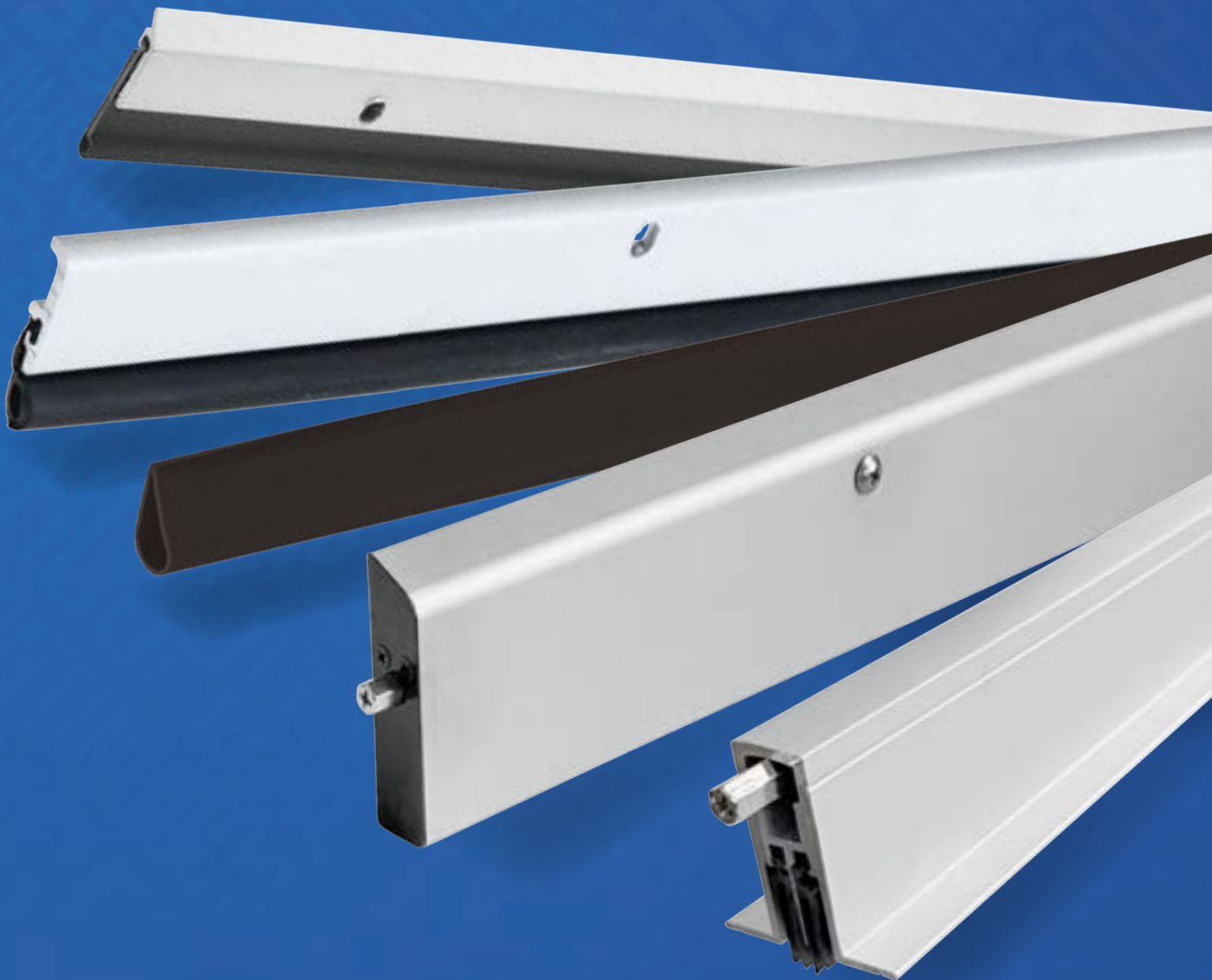




# SEALS

GASKETING &  
AUTOMATIC DOOR BOTTOMS





## GASKETING INDEX:

---

Acoustical Door Shoes.....	G36
Adjustable Perimeter Seals.....	G30
Automatic Door Bottoms.....	G32-G35
Concealed Fastener Nylon Brush Sweeps.....	G44
Concealed Fastener Seals.....	G27
Door Bottom Seals.....	G47
Extended Door Shoes.....	G37
Finned Vinyl Door Shoes.....	G40
Foam Seals.....	G22
Gasketing Fasteners.....	G56
Guards/Seals.....	G55
Magnetic Astragal Sets.....	G50
Mortised Astragals.....	G53
Neoprene and Silicone Sweeps.....	G43
Neoprene Bulb Seals.....	G20
Neoprene Sponge Seals.....	G19
Neoprene, Nylon Brush, Double Fin Door Shoes.....	G39
NGP-Edge® Sealing System.....	G16-G17
Nylon Brush Seals.....	G23-G24
Nylon Brush Seals with EPDM Rubber Insert.....	G46
Nylon Brush Sweeps.....	G45
Overhead Door Bottom Seal.....	G47
Overlapping Astragals.....	G51
Perimeter Seals.....	G25-26
Polypropylene Pile Door Shoes.....	G38
Polypropylene Pile Seals.....	G18
Polyurethane Seals.....	G20
Safety Seal for Double-Acting Doors.....	G54
Seal for Mullion Applications.....	G12
Self-Adhesive Gasketing FATT.....	G12
Self-Adhesive Pile Astragals.....	G54
Self-Adhesive Silicone Gasketing.....	G13-G16
Silicone Seals.....	G21-G22
Smoke-Rated Astragal Seals.....	G48
Smooth Vinyl Door Shoes.....	G38
Solid Metal Astragals.....	G52
Specialty Astragal.....	G51
Spring Adjustable Astragal Sets.....	G50
Spring Adjustable Mortised Astragals.....	G54
Stainless Steel.....	G28-29
STC Rated Acoustical Foam Pad.....	G36
Steel Mounting Brackets.....	G31
Steel Security Astragals.....	G52
Surface Mounted Astragal Sets.....	G49
Thermoplastic Door Shoes.....	G41-G42
Vinyl Seals.....	G18
Vinyl Sweeps.....	G44

# NUMERICAL INDEX:

3.....	G31	130N.....	G19	318V.....	G40	1038N.....	G30
5V.....	G38	130S.....	G21	319ET.....	G42	1390SP.....	G52
6V.....	G38	130SS.....	G28	319ET6.....	G41	1392SP.....	G52
7.....	G31	131N.....	G20	319EV.....	G40	2014R.....	G43
12T.....	G42	133N.....	G19	319V.....	G40	2525C.....	G14
12T6.....	G41	134N.....	G20	320.....	G34	5020.....	G16
12V.....	G38	134S.....	G22	331.....	G37	5040C.....	G14
13T.....	G42	135N.....	G20	335.....	G34	5050.....	G13
13T6.....	G41	136.....	G47, G53	336.....	G54	5050 Anti-Lig.....	G13
13V.....	G38	137N.....	G20, G48	340.....	G54	5060C.....	G14
14R.....	G47, G51	137S.....	G22, G48	344.....	G42	5070.....	G15, G48
15N.....	G39	139.....	G52	384.....	G22	5075.....	G15
16.....	G55	139SP.....	G52	420N.....	G33	5100.....	G12
16SS.....	G29	139SS.....	G28, G52	423N.....	G35	9115.....	G48
17.....	G55	140P.....	G50	423STC.....	G35	9125.....	G48
17SS.....	G29	140S.....	G50	520N.....	G33	9125SS.....	G28
18V.....	G38	143.....	G53	600.....	G24, G45, G49	9600.....	G48
19V.....	G38	144.....	G54	601.....	G25, G46	9605.....	G48
26N.....	G39	149M.....	G50	602.....	G23	9700.....	G26
35EV.....	G40	150U.....	G20	603.....	G23	9750C.....	G16
35ET.....	G42	151.....	G53	A605.....	G24, G45, G49	9800.....	G17
35ET6.....	G41	152S.....	G22	B606.....	G24, G45, G49	81369.....	G47
35V.....	G40	152V.....	G18	C607.....	G24, G45	FATT.....	G12
36ET.....	G42	155S.....	G22	D608.....	G24, G45		
36ET6.....	G41	155V.....	G18	G610.....	G24, G45		
36EV.....	G40	156S.....	G22	G611.....	G24		
36V.....	G40	156V.....	G18	H612.....	G24, G45		
43CB.....	G55	158.....	G51	H614.....	G24		
54CP.....	G12	159M.....	G55	I-615.....	G24		
60FP.....	G36	160S.....	G22	I-616.....	G24		
92.....	G37	160U.....	G20	D620.....	G23		
92T.....	G42	160V.....	G18	G622.....	G23		
92T6.....	G41	161N.....	G20	H623.....	G23		
95WH.....	G39	161S.....	G22	I-624.....	G23		
96V.....	G44	161U.....	G20	A625.....	G23		
97V.....	G44, G49	161V.....	G18	A626.....	G23		
99.....	G37	162S.....	G22	C627.....	G45		
99T.....	G42	164V.....	G18	OV633.....	G24, G45		
99T6.....	G41	165N.....	G19	OV634.....	G24, G45		
101V.....	G44	165S.....	G21	A635.....	G53		
102V.....	G43	170.....	G27	D648.....	G23		
103N.....	G30	172N.....	G20, G27	672.....	G27, G44, G49		
106.....	G30	172S.....	G22, G27	672N.....	G43, G48		
107.....	G30	172V.....	G18, G27	672P.....	G27		
108N.....	G19	176.....	G51	673.....	G44		
109N.....	G51	178.....	G51	674.....	G44		
110N.....	G19	185P.....	G18	675.....	G27, G44, G49		
110S.....	G21	197N.....	G43	678.....	G44		
112N.....	G39	198N.....	G43	679.....	G44		
113N.....	G39	199N.....	G43	680.....	G33		
114.....	G51	200N.....	G43	683.....	G35		
115N.....	G48	200S.....	G43	C697.....	G46		
118N.....	G39	200SS.....	G29	D698.....	G46		
119N.....	G39	201N.....	G43	C699.....	G46		
120N.....	G19	202N.....	G43	700E.....	G25		
120S.....	G21	203N.....	G43	700N.....	G26		
120SS.....	G28	220.....	G32	700S.....	G26		
122N.....	G19	222.....	G32	700U.....	G26		
125N.....	G48	225.....	G34	705EV.....	G25		
125SS.....	G28	229SS.....	G29, G32	705V.....	G26		
127N.....	G19	254P.....	G38	706E.....	G25		
127S.....	G21	312V.....	G40	896.....	G39		
127SS.....	G28	312V X 131N.....	G36	1000RA.....	G54		
129SS.....	G30	313V.....	G40	1015V.....	G44		

— FEATURING OUR —  
**PRODUCT CATEGORIES**

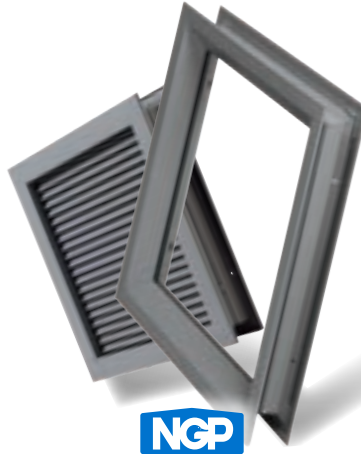
# SEALS

Thresholds  
 Gasketing  
 Door Bottoms



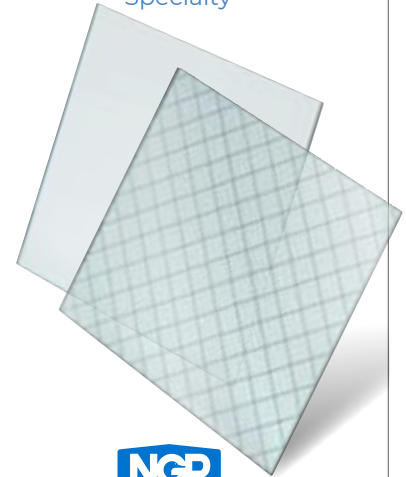
# LITES

Lite Kits  
 Louvers



# GLASS

Fire  
 Safety  
 Specialty



# SLIDING

Stainless Steel Barn Door Track  
 Aluminum Track Systems  
 Steel Flat Track



# GAPGUARD

Gap90  
 9590  
 9990



# TECHNICAL INFORMATION

## RATING SYMBOLS LEGEND

---



**POSITIVE PRESSURE - CERTIFIED by UL to ANSI/UL10C** Complies with IBC, NFPA 80 and NFPA 252 for application to hollow metal fire doors rated up to 3 hours, and wood fire doors rated up to 90 minutes (some ratings vary as noted).



**CERTIFIED by UL to CAN/ULC-S104 and ANSI/UL10B** Complies with NFPA 80 and NFPA 252 for application to hollow metal fire doors rated up to 3 hours, and wood fire doors rated up to 90 minutes (some ratings vary as noted).



**NGP-EDGE® SEALING SYSTEM, CERTIFIED BY UL TO ANSI/UL10C CATEGORY 'G'** Required for Category B wood fire doors to meet positive pressure requirements complying with IBC, and NFPA 252. See individual products for maximum door size and ratings.



**SMOKE & DRAFT CONTROL GASKETING, CERTIFIED BY UL TO ANSI/UL10C AND ANSI/UL 1784 CATEGORY 'H'** Complies with IBC and NFPA 105 for use on 'S' labeled positive pressure hollow metal fire doors rated up to 3 hours, and wood fire doors rated up to 90 minutes (some ratings vary as noted).



**ACOUSTICAL TESTED** to ASTM E90 Standard Test Method for Laboratory Measurement of Airborne Sound Transmission Loss of Building Partitions and Elements, and ASTM E2235 Standard Test Method for Determination of Decay Rates for use in Sound Insulation Test Methods.



**AIR INFILTRATION** Recommended product for minimum Air Leakage and a tight seal around the perimeter of doors.



**ANSI/BHMA CERTIFIED** Certified gasketing complies with American National Standard for Door Gasketing and Edge Seal Systems ANSI/BHMA A156.22, and is listed in the BHMA Certified Products Directory.



Online product listings: [ul.com/database](http://ul.com/database)



## BUY AMERICAN

### REQUIREMENTS

---

#### Buy American Act

Over 99% of our products are produced in the United States as a domestic construction material, as defined in the Buy American Act (BAA) of March 1933 and amended by the Buy American Act of 1988 and FAR 52.225-9. A Buy American certificate may be obtained on our website [ngp.com](http://ngp.com).

#### Build America, Buy America Act

Most of our products comply with Build America, Buy America Act requirements under Title IX of the Infrastructure Investment and Jobs Act (IIJA), Pub. L. 117-58, §§ 70901-70953. Contact us for a Certificate of Compliance for products being supplied on your project.

# MATERIALS

---

Metal retainers for gasketing are Aluminum Alloy 6063, T5 or T6 temper, unless noted.

Architectural Bronze gasketing is Alloy CDA 385 (Copper Alloy No. C38500), Architectural Bronze.

Stainless steel gasketing is Type 304, known for its excellent corrosion resistance, high tensile strength and resistance to oxidation.

NGP utilizes a variety of gasketing materials including Vinyl, Neoprene, Silicone, Nylon Brush, Thermoplastic Elastomers (TPE), Thermoplastic Vulcanizates (TPV), Polypropylene Pile, Ethylene-Propylene-Diene-Monomer (EPDM), Polyurethane, and Intumescent Fire Seals. Product illustrations indicate the gasketing material. Properties of many primary gasket materials are listed on the Perimeter Seals catalog pages.

Adhesive mounted gasketing utilizes a pressure sensitive modified acrylic adhesive protected by a release liner. Once installed it provides a permanent bond in exterior or interior locations. End use temperature range is -30°F up to 250°F. Shelf life of adhesive prior to installation is one year when stored at 75°F and 50% relative humidity or less.

## GASKETING FINISHES

Material	Finish	ANSI/BHMA Finish	US Finish	NGP Suffix
<b>Aluminum:</b>	Mill Finish	ANSI/BHMA 719	US27	None
	Anodized Aluminum	ANSI/BHMA 628	US28	A
	Dark Bronze/Black Anodized	ANSI/BHMA 711	US19	DKB
	Polished	ANSI/BHMA 717		POL
<b>Stainless Steel:</b>	Brushed (#4)	ANSI/BHMA 630	US32D	None
<b>Gasket Materials:</b>	Neoprene is Black			N
	Polyurethane is Black			U
	Vinyl is Black			V
	Silicone is Black except where noted otherwise			S
	Thermoplastic is Brown			T, T6
	Nylon Brush colors: Black, Gray			
	Polypropylene Pile is Gray			P
EPDM is Black				

# UNDERSTANDING SOUND TRANSMISSION CLASS



The Sound Transmission Class (STC) is a single-number rating of the ability of a material or an assembly to resist airborne sound transfer at the frequencies 125-4000 Hz. In general, a door system with a higher STC rating blocks more noise from transmitting through an opening.



**VERY POOR**  
LOW SPEECH  
AUDIBLE



**POOR**  
NORMAL SPEECH  
UNDERSTOOD EASILY  
AND DISTINCTLY



**FAIR**  
LOUD SPEECH  
UNDERSTOOD  
FAIRLY WELL



**GOOD**  
LOUD SPEECH  
HEARD BUT HARDLY  
INTELLIGIBLE



**VERY GOOD**  
LOUD SPEECH  
HEARD FAINTLY



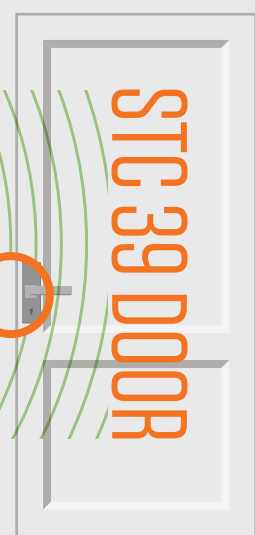
**EXCELLENT**  
LOUD SOUNDS  
HEARD FAINTLY  
OR NOT AT ALL

SOURCE ROOM

80dB



SOUND PRESSURE LEVEL 80 DB



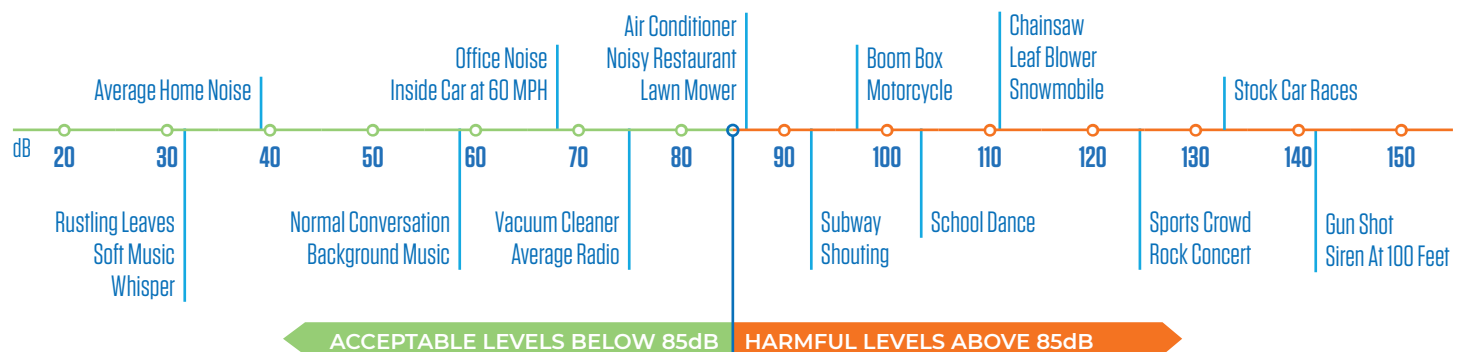
RECEIVING ROOM

41dB



SOUND PRESSURE LEVEL 41 DB

## NOISE LEVELS



No matter what the STC door rating may be, it cannot perform without the proper STC Gasketing. Sound leaks from the perimeter of the door just like a draft of air.

# STC SEAL SETS

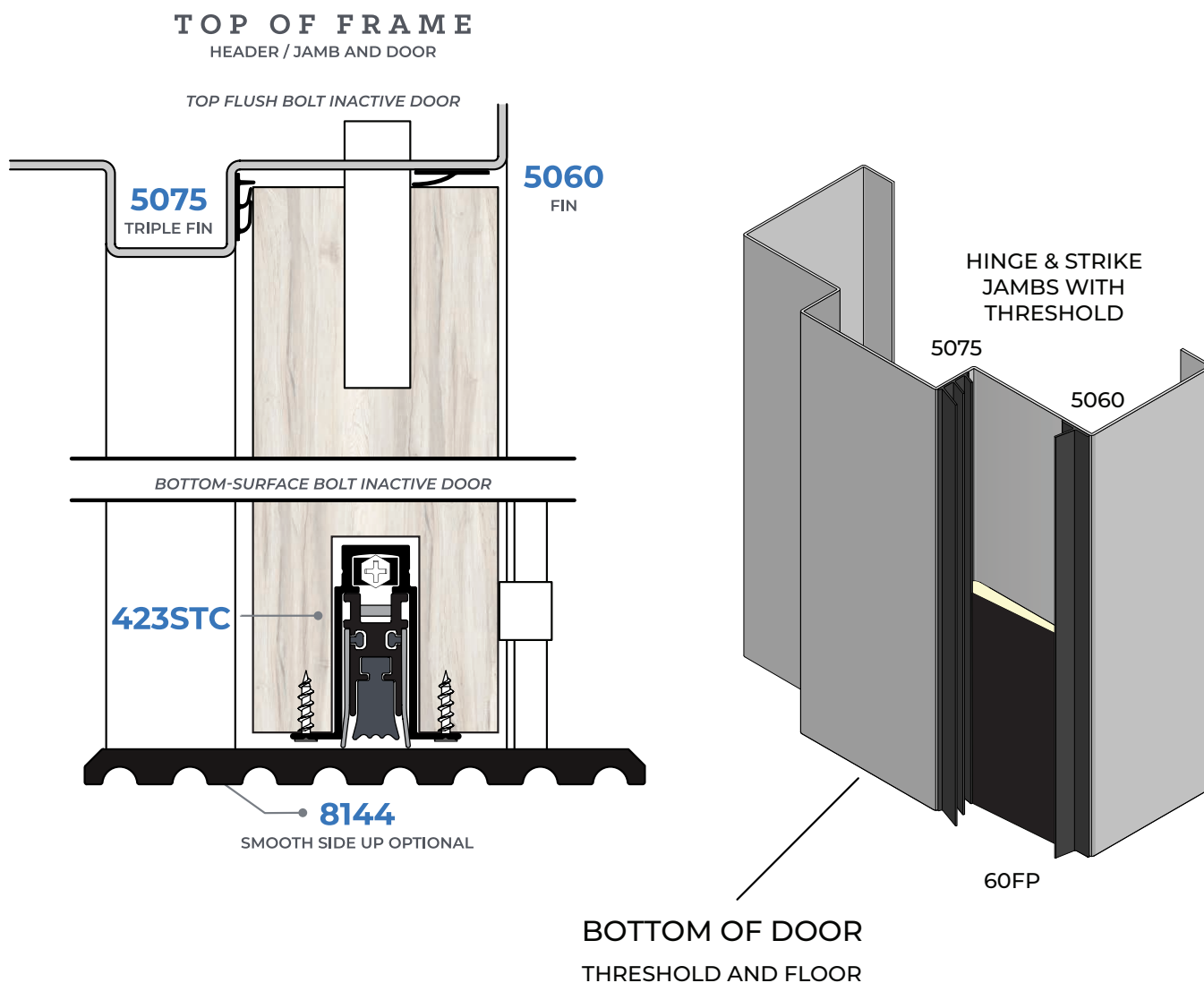
## SINGLE DOORS

NGP Seal Sets maintain the static door panel STC with NO DROP OFF in an operable condition, up to the STC Rating indicated.

STC Seal Set	STC Rating	Perimeter Seals at Heads & Jambs	Door Bottom	Corner Pads	Threshold
1	33	5050 & 2525	312V X 131N	60FP (2 req.)	8144S*
2	45	5075 & 5060	312V X 131N	60FP (2 req.)	8144S*
3	52	5075 & 5060	12T6 X STC-FH	60FP (2 req.)	8144S*
4	52	5075 & 5060	423STC	60FP (2 req.)	8144S*
5	52	5075 & 5060	None	None	896S-ADJ

### STC Seal Set 4 Illustration

\*optional



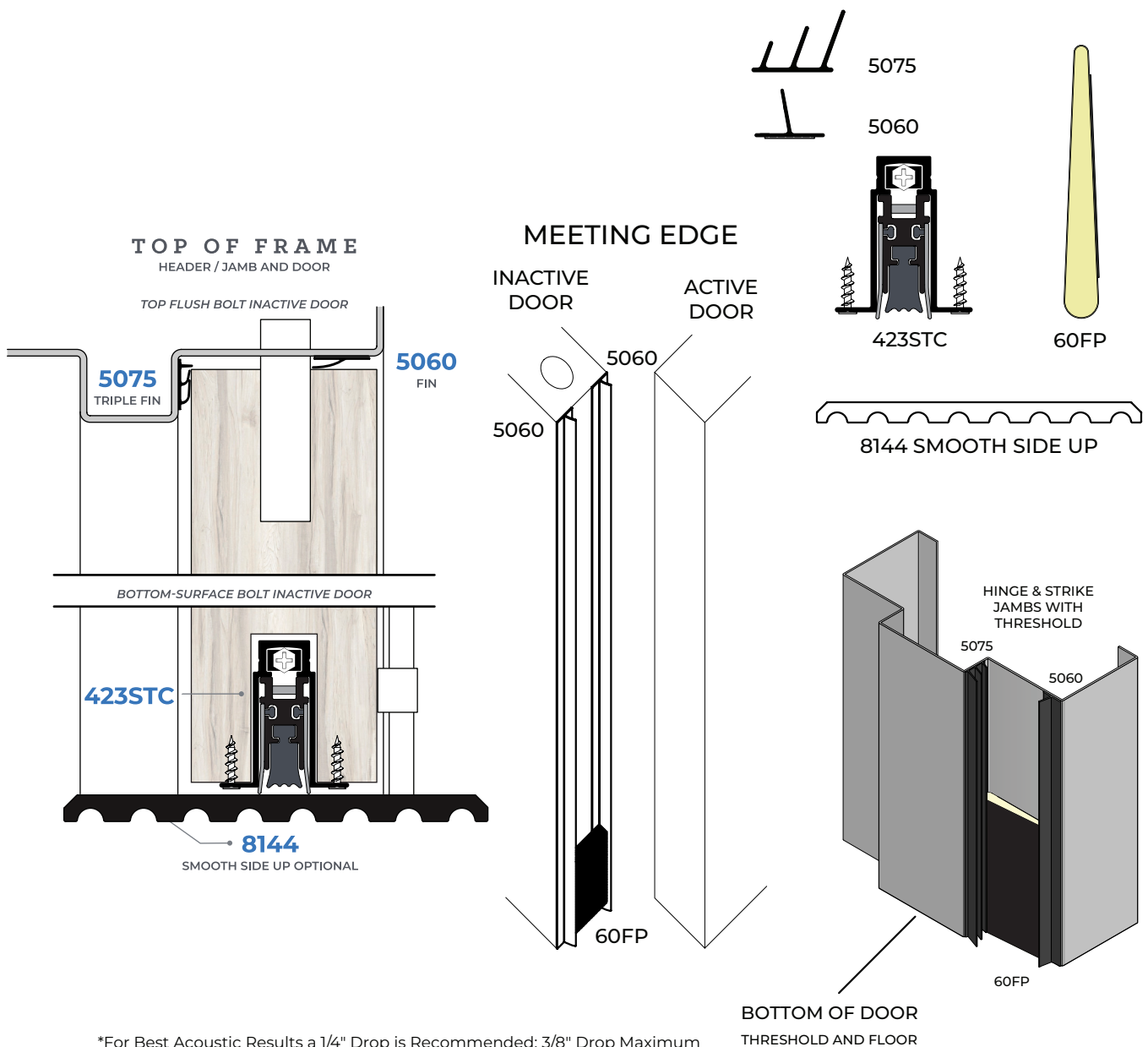
# STC SEAL SETS

## PAIRS OF DOORS

STC Seal Set	STC Rating	Perimeter Seals at Heads & Jambs	Door Bottom	Corner Pads	Meeting Edge Seals	Threshold
6	45	5075 & 5060	423STC	60FP (3 req.)	5060 (2 req.)	8144S*
7	45	5075 & 5060	12T6 X STC-FH	60FP (3 req.)	5060 (2 req.)	8144S*

### STC Seal Set 6 Illustration

\*optional



# SOUND TRANSMISSION CLASS (STC) RATED PAIRS OF DOORS

---

## STANDARD DOORS WITHOUT SPECIAL ACOUSTIC CORES

Solid core wood doors with gasketing test to an STC Rating of approximately 28 to 30. Mineral core wood doors and Honeycomb core hollow metal doors with gasketing test to an STC Rating of approximately 32 to 36. Without gasketing these doors have no sound control and test to an STC Rating between 15 and 20.

To most effectively reduce sound transmission and maximize the acoustic performance we recommend the following be used:

## PERIMETER AND DOOR BOTTOMS

- 107S** Perimeter Seal
- 700S** Seal at Head if a Parallel Arm Closer is Used
- 220S** Automatic Door Bottom  
(To Allow the Automatic Door Bottom to Properly Seal, Please Add a Threshold.)

## MEETING EDGE OF PAIRS

- 109N** Overlapping Astragal
- 5070** Adhesive Astragal
- 115N** Astragal Set

## SCHOOL CLASSROOM DOOR STC REQUIREMENTS

ANSI/ASA S12.60 Acoustical Performance Criteria, Design Requirements, and Guidelines for schools requires interior doors opening into core learning spaces to achieve STC 30 or greater in their operable condition and interior doors into music rooms at least STC 40.

The following interprets ANSI/BHMA numbers which identify type and function of products. For products that meet ANSI/BHMA Standards, look for the BHMA certified logo next to the product in our catalog. For a complete listing, refer to the BHMA Certified Products Directory, available online at [buildershardware.com](http://buildershardware.com)

## ANSI/BHMA A156.22

### AMERICAN NATIONAL STANDARD FOR DOOR GASKETING AND EDGE SEAL SYSTEMS

1 Product Section	2 Material Description	3 Gasketing Type Desc	4 Product Type Description	5 Gasketing Location Description	6 Gasketing Rating Description	
"R" designates Gasketing	1. Brass or Bronze 3. Aluminum 5. Stainless Steel 0. Optional Material or None Used	A. Brush B. Neoprene, Solid C. Neoprene, Expanded, Closed Cell D. Vinyl E. Silicone Rubber F. Pile G. Thermoplastic Elastomer (TPE) H. Thermoplastic Urethane (TPU) J. Thermoplastic Rubber K. Spring Metal L. Magnetic M. Felt N. Rubber Fabric P. Intumescent Q. Intumescent/Brush R. Intumescent/Neoprene, Solid	S. Intumescent/Neoprene, Expanded, Closed Cell T. Intumescent/Vinyl U. Intumescent/Silicone Rubber V. Intumescent/ Pile W. Intumescent/ Thermoplastic Elastomer (TPE) X. Intumescent/ Thermoplastic Urethane (TPU) Y. Optional Material or None Used Z. Intumescent/ Thermoplastic Rubber	1. Head & Jamb 2. Head & Jamb, Adjustable 3. Automatic Door Bottom 4. Door Sweep or Shoe 5. Door Sweep or Shoe with Drip Cap 6. Astragal, Overlapping 7. Astragal, Split or Compensating 8. Astragal, Adjustable 9. Rain Drip Without Gasket 10. Fire Glazing Tape 0. Other	1. Door Edge 2. Door Edge, Mortise 3. Door Face 4. Door Face, Semi-Mortise 5. Frame Rabbet (Surface or Mortise) 6. Frame Soffit (H.M.) 7. Frame Face 8. Kerf 9. Stop (H.M.), Stop Face (WD) 0. Other	1. Smoke/Energy Performance Rated 4. Smoke Rated 5. Energy Performance Rated 6. Not Rated

Grade Performance (Optional field separate from ANSI Number)

- 1 Grade 1
- 2 Grade 2
- 3 Grade 3

# INTERNATIONAL BUILDING CODE (IBC)

The International Building Code (IBC) requires swinging fire doors to be tested in accordance with ANSI/UL 10C or NFPA 252, with the neutral pressure level established at 40 inches or less above the sill. This causes “positive pressure” forces against the door assembly above 40 inches.

The result is hot gases and smoke leak out between the door and frame above this level, posing a serious threat to life and safety; and on wood doors rapidly deteriorating the integrity of the door edges, requiring either a built-in or supplemental “edge sealing system” to pass the test.

Fire door assemblies in corridors and smoke barrier walls are required to be smoke and draft control assemblies tested in accordance with UL1784 allowing a maximum air leakage of 3 cubic feet per minute per square foot of door opening at ambient temperature (75°F) and elevated temperature (400°F). These assemblies require the letter “S” on the fire rating label of the door indicating compliance “when listed or labeled gasketing is also installed.”

Fire doors are classified into category A or B based upon their construction and edge sealing system requirements. Fire-rated gasketing is classified as follows:



**Category G** - Edge Sealing Systems



**Category H** - Smoke and Draft Control Gasketing



**Category J** - Gaskets other than Category G or H.

## Category A Classified Fire Doors

**Hollow Metal Fire-Rated Doors**  
**Wood Fire-Rated Doors constructed with edge seals built-in** during the manufacturing process.

**Require Category H** – Smoke and Draft Control Gasketing at **perimeter** and at **meeting edge of pairs** of “S” label doors in corridor locations or smoke barrier walls.

**Require Category H** – Smoke and Draft Control **door bottom seals** on “S” label doors where pressurization is provided to restrict smoke movement (typically controlled by HVAC system).

The following products are recommended UL Classified Category H for wood doors - 90 min. max., hollow metal doors - 3 hour max.



Perimeter: 2525, 5020, 5040, 5050, 5070, 5075



Meeting edge of pairs: 115N, 125N, 137N, 137S, 5070, 9115, 9125, 9600, 9605

## Category B Classified Fire Doors

**Wood Fire-Rated Doors that require the addition of a Category G classified edge sealing system** in the field.

**Require Category G** – Edge Sealing System, at **perimeter** and at **meeting edge of pairs**.

**Require Category H** – Smoke and Draft Control Gasketing at **perimeter** and at **meeting edge of pairs** of “S” label doors in corridor locations or smoke barrier walls.

**Require Category H** – Smoke and Draft Control **door bottom seals** on “S” label doors where pressurization is provided to restrict smoke movement (typically controlled by HVAC system).

The following products are recommended UL Classified for both category G and H:



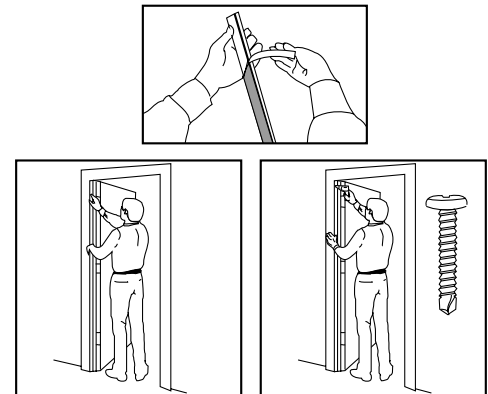
Perimeter 20 minute: 5050  
Perimeter 45, 60, 90 minute: 9750

# SELF-ADHESIVE GASKETING

## FATT

### FAST ATTACH TWO-WAY TAPE

- ▶ Fast Attach Two-Way Tape Provides an Easy and Effective Alternative for Gasketing Installation. Two-Way Tape is Applied to the Metal Housing Insuring a Quick and Easy Installation. Then for Security, 3 Tek-type Self-Drilling Screws are Provided to Further Secure Each Piece of Material to the Frame Stop. A No-Problem Installation With No Holes to Drill.
- ▶ To Order Add Suffix "FATT" to Product Number. See Price List for Products Available With this Feature.
- ▶ FATT IS NOT CLASSIFIED FOR USE ON FIRE DOORS.

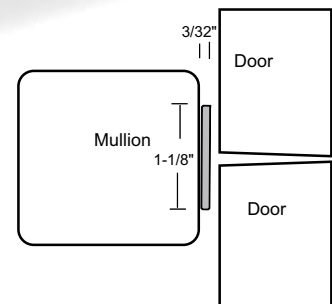


# SEAL FOR MULLION APPLICATIONS

- ▶ Closed Cell Silicone Sponge Strip  
1 1/8" Wide x 3/32" Thick With an Adhesive Strip for Mounting Directly to the Face of the Mullion That Doors Close Against
- ▶ Available in 86" and 96" Lengths
- ▶ Self-Adhesive: See Adhesive Specifications on Page G14



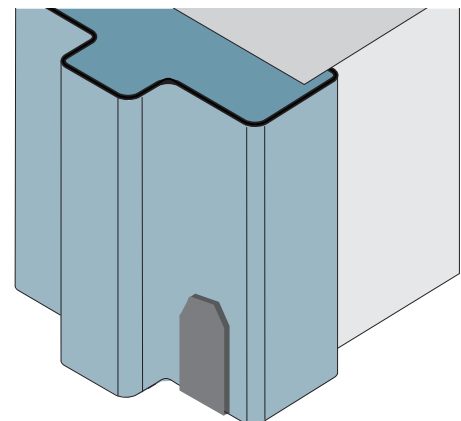
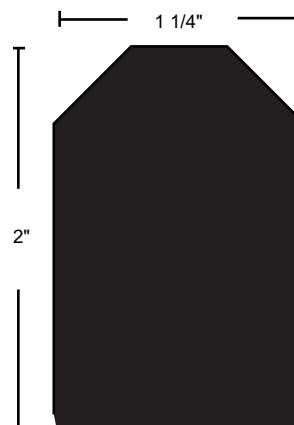
**5100N** Black Silicone



### CORNER PAD

- ▶ Helps Acoustics and Seals Corner Gap for Air Leakage Control. Apply to Jamb on Hinge Side, Opposite Bottom Corner of Door Edge.
- ▶ Self-Adhesive: See Adhesive Specifications on Page G14

**54CP** Black Polypropylene Pile



# SELF-ADHESIVE SILICONE GASKETING

## SILICONE BULB FIRE AND SMOKE SEAL

- BHMA Certified to ANSI/BHMA A156.22 Performance Tests for Heat, Cold, Adhesive and Energy Performance



### Edge Sealing System - Category G for 20 Minute Rated Category B Wood Doors Perimeter Application Up To:

Single Swing 4'0 X 8'0  
 Pairs 8'0 X 8'0  
 Use 9800 at the Meeting Edge of Pairs



Smoke and Draft Control - Category H  
 Up To 3 Hours Hollow Metal Fire Doors  
 Up To 90 Minutes Wood Fire Doors  
 Use 5070 at the Meeting Edge of Pairs

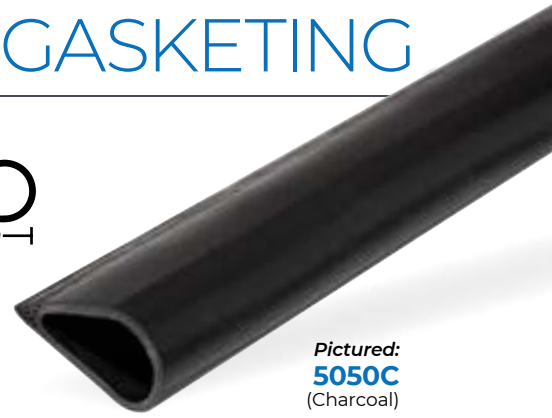
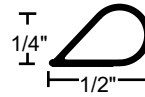


STC 33

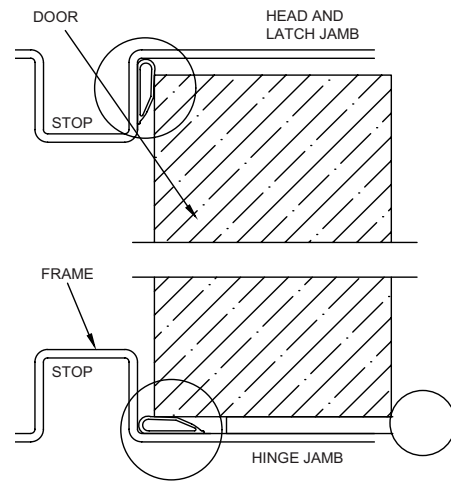
Meets Requirements of RoHS Directive  
 See Adhesive Specifications on Page G14

<b>5050B</b>	Brown
<b>5050C</b>	Charcoal
<b>5050W</b>	White
<b>5050CL</b>	Clear

Available in 17', 20', 21', 25' and 300\* Rolls  
 \*Clear Not Available in 300' Rolls



**Pictured:**  
**5050C**  
 (Charcoal)



## LIGATURE-RESISTANT SILICONE BULB FIRE AND SMOKE SEAL

- Ligature-Resistant Feature has Serrations Every 8" Designed to Break Apart Preventing it From Being Used to Hang or Strangle
- Applications Include Psychiatric Facilities, Prisons and Other Treatment Facilities
- Installs as a Continuous Length Providing the Same Sealing Properties for Light, Sound, Air and Smoke as Our Original 5050
- BHMA Certified to ANSI/BHMA A156.22 Performance Tests for Heat, Cold, Adhesive and Energy Performance

**ANTI-LIG 5050C** Charcoal

Available in 17' and 300' Rolls



### Edge Sealing System - Category G for 20 Minute Rated Category B Wood Doors Perimeter Application Up To:

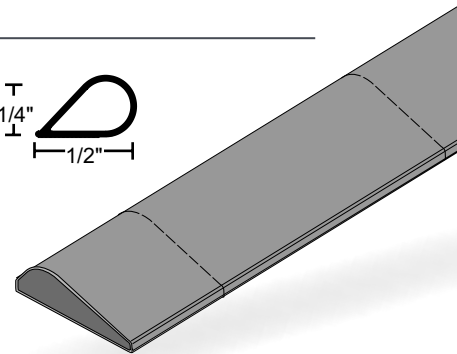
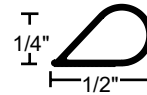
Single Swing 4'0 X 8'0  
 Pairs 8'0 X 8'0  
 Use 9800 at the Meeting Edge of Pairs



Smoke and Draft Control - Category H Up To 3 Hours Hollow Metal Fire Doors Up To 90 Minutes Wood Fire Doors  
 Use 5070 at the Meeting Edge of Pairs



Meets Requirements of RoHS Directive  
 See Adhesive Specifications on Page G14



# SELF-ADHESIVE SILICONE GASKETING

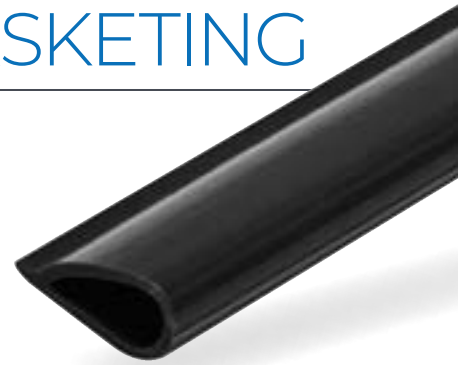
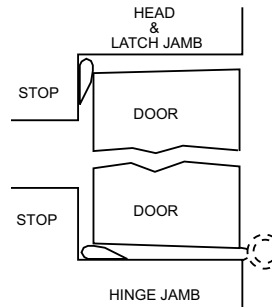
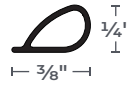
## SILICONE BULB SMOKE SEAL

- BHMA Certified to ANSI/BHMA A156.22 Performance Tests for Heat, Cold, Adhesive and Energy Performance

Available in 17', 20', 21', 25', 300' Rolls



**2525C** Charcoal



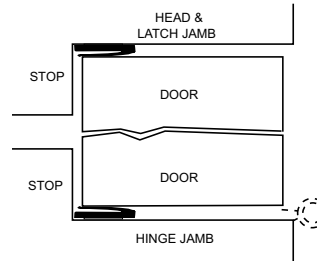
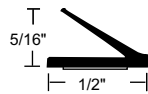
## SILICONE FIN SMOKE SEAL

- BHMA Certified to ANSI/BHMA A156.22 Performance Tests for Heat, Cold, Adhesive and Energy Performance

Available in 17', 20', 21', 25', 300' Rolls



**5040C** Charcoal



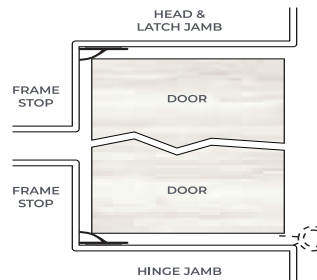
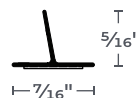
## SILICONE FIN SMOKE SEAL

- BHMA Certified to ANSI/BHMA A156.22 Performance Tests for Heat, Cold, Adhesive and Energy Performance

Available in 17', 20' and 21' Rolls



**5060C** Charcoal



## ADHESIVE SPECIFICATIONS

Modified acrylic pressure sensitive adhesive protected by release liner. Provides high initial adhesion and long-term holding power for permanent mounting in exterior or interior locations. Resistant to aging, weathering, UV radiation, water, detergent, alcohol and the influence of chemicals. End use temperature range, long term exposure -30°F up to 250°F. Shelf life of adhesive prior to installation is one year when stored at 75°F and 50% relative humidity or less.

# SELF-ADHESIVE SILICONE GASKETING

## PROPERTIES:

- Self-Adhesive Silicone Rubber
- Good Abrasion Resistance
- BHMA Certified to ANSI/BHMA A156.22 Performance Tests for Heat, Cold, Adhesive and Energy Performance

- Adhesive Specifications Shown on Page G14



**Pictured:**  
**5075C**  
(Charcoal)

## FLEXIBLE TRIPLE FIN SMOKE SEAL

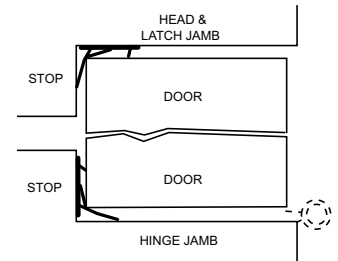
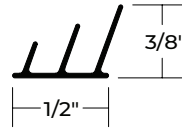
Available in 17', 20', 21', 25" and 300' Rolls

\*White Only Available in 17' Rolls

\*\*Clear Unavailable in 300' Rolls



<b>5075C</b>	Charcoal
<b>5075CL</b>	Clear**
<b>5075W</b>	White*



## SILICONE DOUBLE SHARK FIN SMOKE SEAL

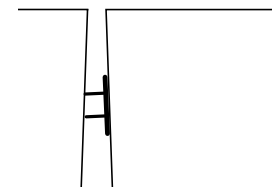
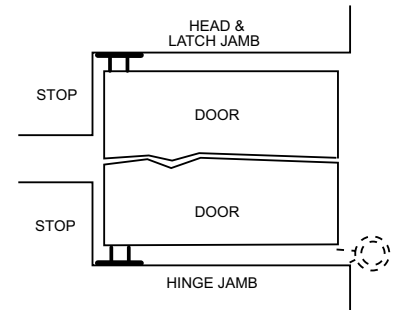
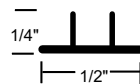
Smoke-Rated for Perimeter and/or Meeting Edge

Astragal Applications

Available in 4', 7', 8' and 9' Lengths



<b>5070B</b>	Brown
<b>5070CL</b>	Clear



Astragal Application  
Pair of Doors

# SELF-ADHESIVE SILICONE GASKETING

## PROPERTIES:

- ▶ Self-Adhesive Silicone Rubber
- ▶ Good Abrasion Resistance
- ▶ Moisture-Resistant
- ▶ BHMA Certified to ANSI/BHMA A156.22 Performance Tests for Heat, Cold, Adhesive and Energy Performance
- ▶ Flame-Resistant
- ▶ REACH and RoHS Compliant
- ▶ Adhesive Specifications Shown on Page G14



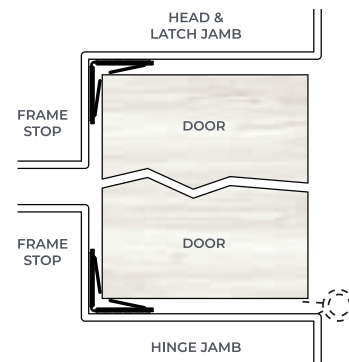
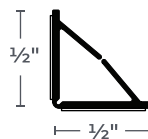
**Pictured:**  
**5020C**  
(Charcoal)

## SILICONE BATWING SMOKE SEAL

Available in 4' and 9' Rolls



<b>5020C</b>	Charcoal
<b>5020CL</b>	Clear



# NGP-EDGE® SEALING SYSTEM

## INTUMESCENT WITH FLEXIBLE ELASTOMERIC BULB FIRE AND SMOKE SEAL

 **20, 45, 60, 90 Minute Rated Category B Wood Doors Perimeter**  
**Application Up To:**  
 Single Swing 4'0 X 9'0  
 Pairs 8'0 X 9'0

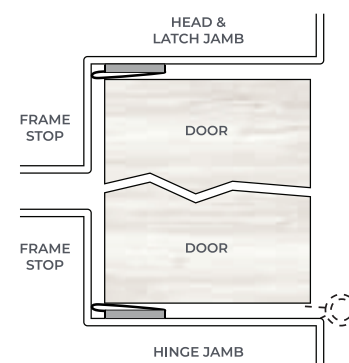
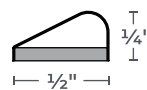
1/8" Clearance Required Between Door and Frame

Available in 36", 48", 84", 96" and 108" Lengths

Self-Adhesive: See Adhesive Specifications on Page G14



<b>9750C</b>	Charcoal
--------------	----------



**Pictured:**  
**9750C**  
(Charcoal)

# NGP-EDGE® SEALING SYSTEM

CATEGORY G CLASSIFIED

NGP Intumescent materials are formulated to expand at 375°F to 400°F up to 8-10 times their original thickness; completely sealing the gap around and between doors during a fire.

## INTUMESCENT FIRE SEAL

### Perimeter Application:



**20, 45, 60, 90 Minute Rated Category B Wood Doors Up To:**

Single Swing 4'0 X 9'0  
Pairs 8'0 X 9'0

### Meeting Edge Application Up To 8'0 X 9'0 Pairs of Category B Wood Doors:



**20 Minute Rated with Single Strip Installed**

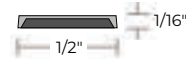


**45, 60 Minute Rated with Two Strips Installed**

Intumescent With Protective Skin

Sold by the Foot: 3' Minimum to 490' Reel

Self-Adhesive: See Adhesive Specifications on Page G14



*Pictured:*  
**9800C**  
(Charcoal)



**9800GR** Gray

**9800C** Charcoal

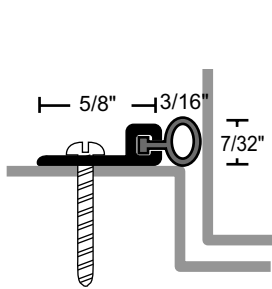
# VINYL SEALS

All Vinyl Seals This Section:

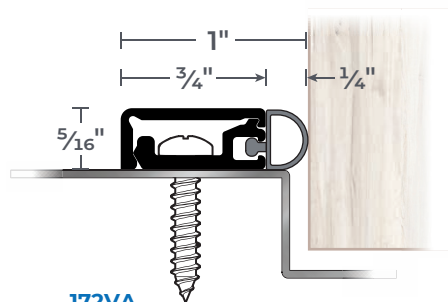


- Thermo-Plastic Vulcanizate (TPV)
- Economical
- Flame-Resistant
- Moisture-Resistant
- Temperature Range -40°F to 250°F
- #6 x 3/4" Stainless Steel Sheet Metal Screws Furnished
- Screw Holes Slotted for Adjustment
- Vinyl is Black

**160VA**  
Anodized Aluminum  
Vinyl Perimeter Seal



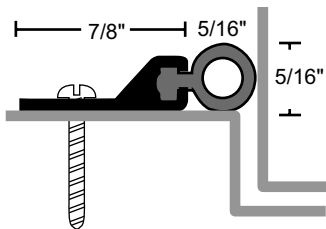
**155V**  
**155VDKB**



**172VA**  
**172VDKB**

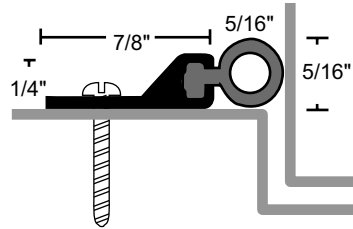
PRODUCT# SUFFIX	FINISH
<b>A</b>	Anodized Aluminum
<b>DKB</b>	Dark Bronze / Black Anodized
<b>None</b>	Mill Aluminum

*Vinyl is Black*  
*-GR = Gray Vinyl*



**161V**  
**161VDKB**

.07 Aluminum for Military Specs



**152V**  
**152VA**  
**152VDKB**  
**156V**  
**156VDKB**

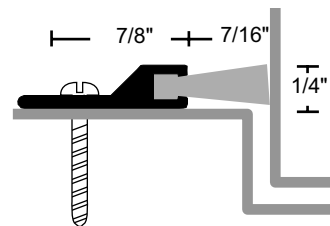
**160V**  
**160V-GR**  
**160VA**  
**160VA-GR**  
**160VDKB**  
**160VDKB-GR**

**164V**  
**164VA**  
**164VDKB**

# POLYPROPYLENE PILE SEALS

- Temperature Range 32°F to 275°F
- Pile is Gray

**185P**  
**185PA**  
**185PDKB**



# NEOPRENE SPONGE SEALS

All Products on This Page:



- ◆ Synthetic EPDM Rubber in Polypropylene Thermoplastic Matrix Closed Cell Advanced Elastomeric Foam
- ◆ Very Good Abrasion Resistance, Tensile Strength and Memory
- ◆ Flame-Resistant
- ◆ Moisture-Resistant
- ◆ Temperature Range -81°F to 275°F
- ◆ Good Resistance to Ozone, Sunlight and Aging
- ◆ BHMA Certified to ANSI/BHMA A156.22 Performance Tests for Heat and Cold
- ◆ #6 x 3/4" Stainless Steel Sheet Metal Screws Furnished
- ◆ Screw Holes Slotted for Adjustment
- ◆ Patent Pending Microcellular EPDM

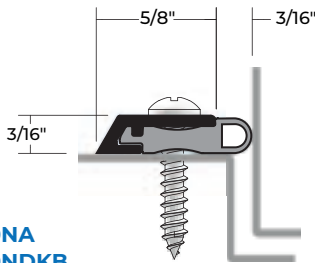
## 108NA

Anodized Aluminum  
Neoprene Sponge  
Seal



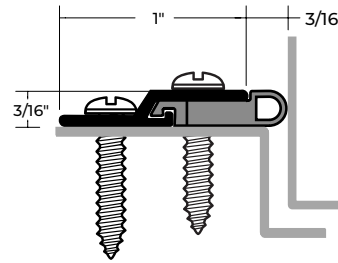
PRODUCT#	SUFFIX	FINISH
A		Anodized Aluminum
DKB		Dark Bronze / Black Anodized

Neoprene is Black



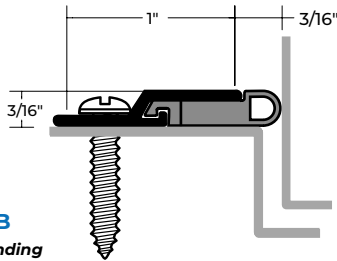
110NA  
110NDKB

Patent Pending



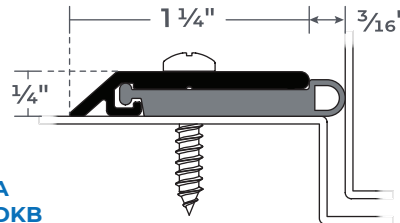
120NA  
120NDKB

Patent Pending



127NA  
127NDKB

Patent Pending

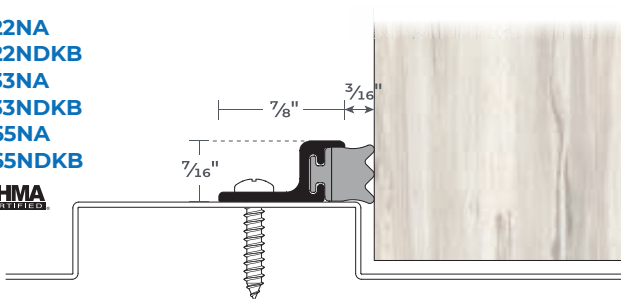


130NA  
130NDKB

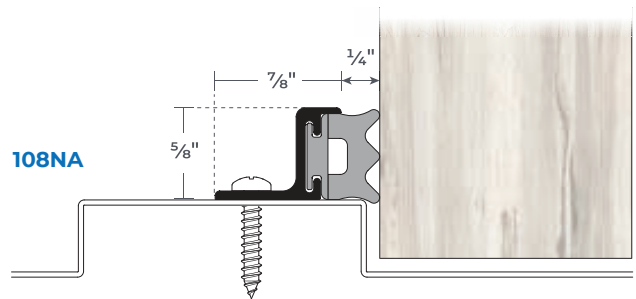
Patent Pending



122NA  
122NDKB  
133NA  
133NDKB  
165NA  
165NDKB



108NA



# NEOPRENE BULB SEALS

All Neoprene Seals This Section:



- ▶ Synthetic EPDM Rubber in Polypropylene Thermoplastic Matrix
- ▶ Very Good Abrasion Resistance, Tensile Strength and Memory
- ▶ Flame-Resistant
- ▶ Moisture-Resistant
- ▶ Temperature Range -81°F to 275°F
- ▶ Good Resistance to Ozone, Sunlight and Aging
- ▶ BHMA Certified to ANSI/BHMA A156.22 Performance Tests for Heat and Cold
- ▶ #6 x 3/4" Stainless Steel Sheet Metal Screws Furnished
- ▶ Screw Holes Slotted for Adjustment

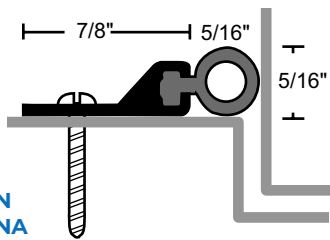
## 137NA

Anodized Aluminum  
Neoprene Bulb  
Perimeter Seal

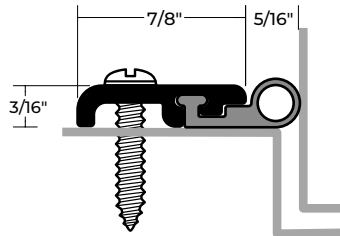


PRODUCT#	SUFFIX	FINISH
	A	Anodized Aluminum
	DKB	Dark Bronze / Black Anodized
	None	Mill Aluminum

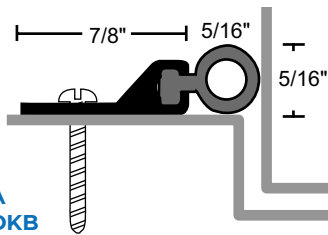
*Neoprene is Black  
Polyurethane is Black*



131NA  
131NDKB  
134NA  
134NDKB  
137NA  
137NDKB

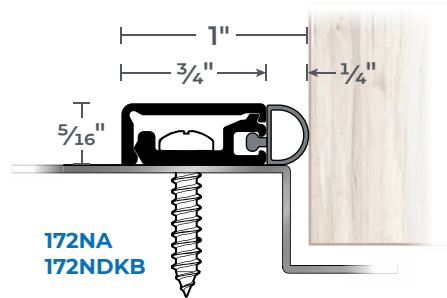


135N  
135NA  
135NDKB



161NA  
161NDKB

.07 Aluminum for Military Specs



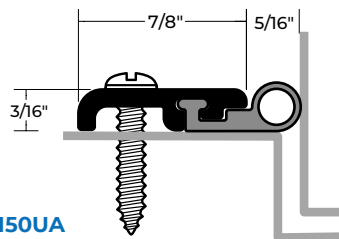
172NA  
172NDKB

All Polyurethane Seals this Section:

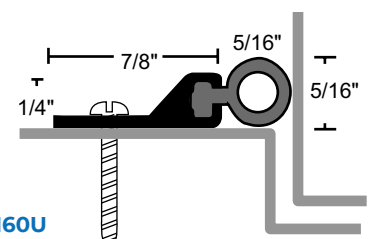


# POLYURETHANE SEALS

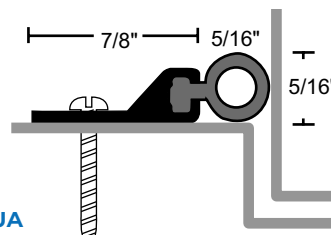
- ▶ Very Good Abrasion Resistance, Tensile Strength, Memory and UV Resistance
- ▶ Flame-Resistant
- ▶ Moisture-Resistant
- ▶ Temperature Range -76°F to 275°F
- ▶ #6 x 3/4" Stainless Steel Sheet Metal Screws Furnished
- ▶ Screw Holes Slotted for Adjustment



150UA  
150UDKB



160U  
160UA  
160UDKB



161UA  
161UDKB

.07 Aluminum for Military Specs

# SILICONE SEALS

All Products on This Page:



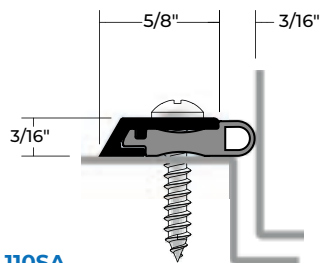
- ▶ Synthetic Rubber Polymer: Closed Cell Sponge
- ▶ Excellent Flexibility and Memory
- ▶ Flame-Resistant
- ▶ Moisture-Resistant
- ▶ Temperature Range -81°F to 300°F, Remains Flexible at Extreme Temperatures
- ▶ Excellent Resistance to Ozone, UV and Aging
- ▶ Recommended for Areas Using FM200 or Halon Fire Suppression Systems
- ▶ BHMA Certified to ANSI/BHMA A156.22 Performance Tests for Heat and Cold
- ▶ #6 x 3/4" Stainless Steel Sheet Metal Screws Furnished
- ▶ Screw Holes Slotted for Adjustment
- ▶ Patent Pending Microcellular Silicone

**110SA**  
Anodized Aluminum  
Silicone Sponge Seal

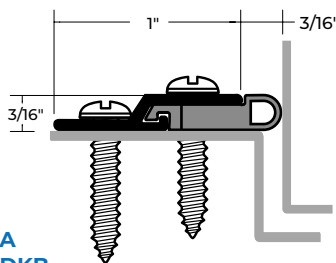


PRODUCT#	
SUFFIX	FINISH
<b>A</b>	Anodized Aluminum
<b>DKB</b>	Dark Bronze / Black Anodized
<b>None</b>	Mill Aluminum

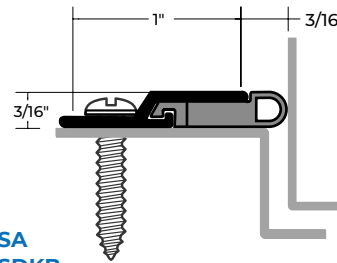
*Silicone Sponge is Black*



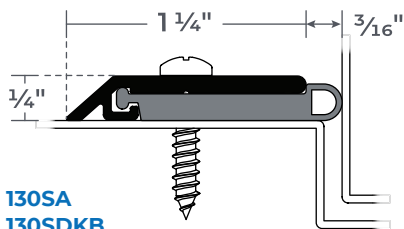
**110SA**  
**110SDKB**  
Patent Pending



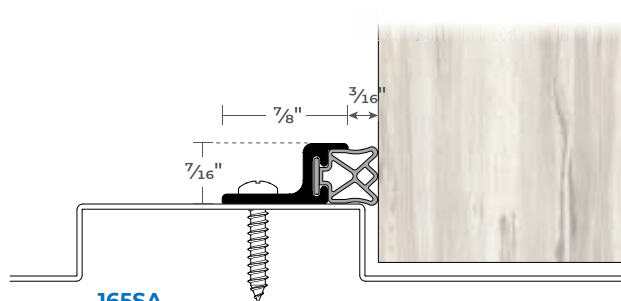
**120SA**  
**120SDKB**  
Patent Pending



**127SA**  
**127SDKB**  
Patent Pending



**130SA**  
**130SDKB**  
Patent Pending



**165SA**  
**165SDKB**

# SILICONE SEALS

All Silicone Seals This Section:



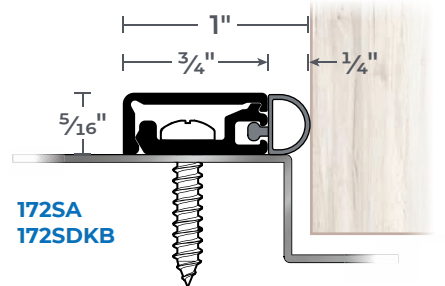
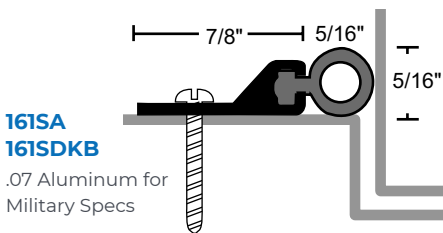
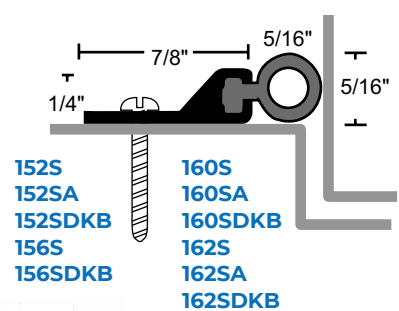
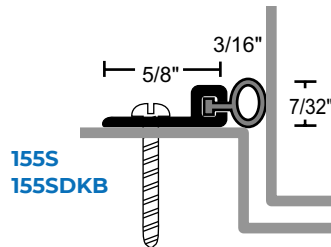
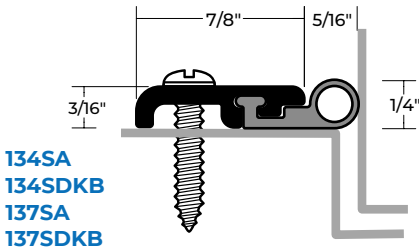
- ▶ Synthetic Rubber Polymer
- ▶ Excellent Flexibility and Memory
- ▶ Flame-Resistant
- ▶ Moisture-Resistant
- ▶ Temperature Range -81°F to 300°F, Remains Flexible at Extreme Temperatures
- ▶ Excellent Resistance to Ozone, UV and Aging
- ▶ Recommended for Areas Using FM200 or Halon Fire Suppression Systems
- ▶ BHMA Certified to ANSI/BHMA A156.22 Performance Tests for Heat and Cold
- ▶ #6 x 3/4" Stainless Steel Sheet Metal Screws Furnished
- ▶ Screw Holes Slotted for Adjustment

**137SA**  
Anodized Aluminum  
Silicone Dense Bulb  
Perimeter Seal



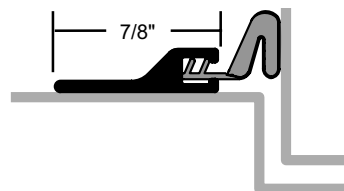
PRODUCT# SUFFIX	FINISH
<b>A</b>	Anodized Aluminum
<b>DKB</b>	Dark Bronze / Black Anodized
<b>None</b>	Mill Aluminum

*Dense Silicone is Black*



# FOAM SEALS

- ▶ Seamless Compression Seals Are Nearly 100% Closed Cell to Prevent Water From Penetrating Foam Cell Structure
- ▶ Extruded Skin Provides a Unique UV Resistant Barrier With Design Features that Enhance the Weather Strip's Sealing Performance
- ▶ Compression: Recommended = 25% Minimum = 10% Maximum = 50%
- ▶ Achieves AAMA 702 Class "A" Extra High Performance Certification



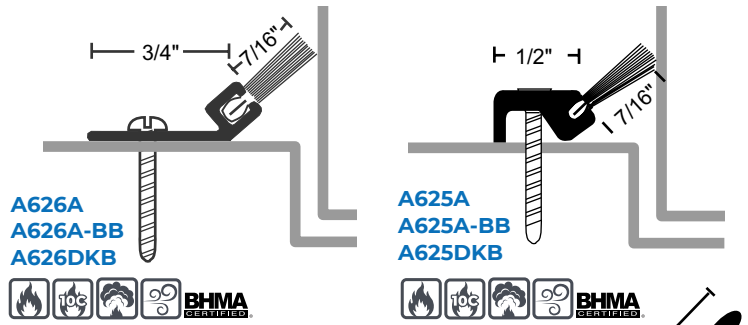
PRODUCT#	INSERT	FINISH
<b>384B</b>	Brown	Mill
<b>384BA</b>	Brown	Anodized
<b>384BDKB</b>	Brown	D. Bronze

# NYLON BRUSH SEALS

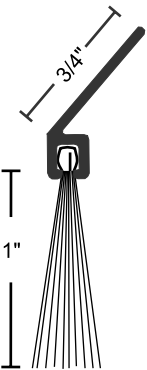
- ▶ Synthetic Polymer: Polyamide
- ▶ Excellent Abrasion Resistance, Flexibility and Memory
- ▶ Moisture-Resistant
- ▶ Retains Insecticides Well
- ▶ Temperature Range -70°F to 425°F
- ▶ BHMA Certified to ANSI/BHMA A156.22 Performance Tests for Heat and Cold, in Most Common Profiles as Indicated by BHMA Certified Symbol
- ▶ REACH and RoHS Compliant
- ▶ Not Effective Against Water Penetration
- ▶ #6 x 3/4" Stainless Steel Sheet Metal Screws Furnished
- ▶ Screw Holes Slotted for Adjustment

PRODUCT# SUFFIX	INSERT	FINISH
<b>A</b>	Gray Brush*	Anodized Aluminum
<b>DKB</b>	Black Brush	Dark Bronze / Black Anodized
<b>None</b>	Gray Brush*	Mill Aluminum

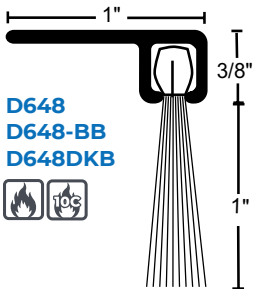
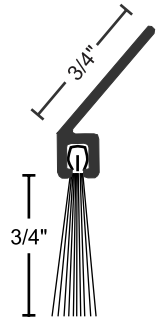
-BB = Black Brush



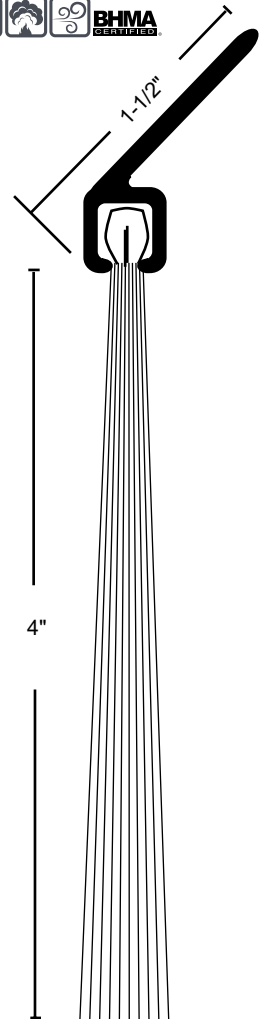
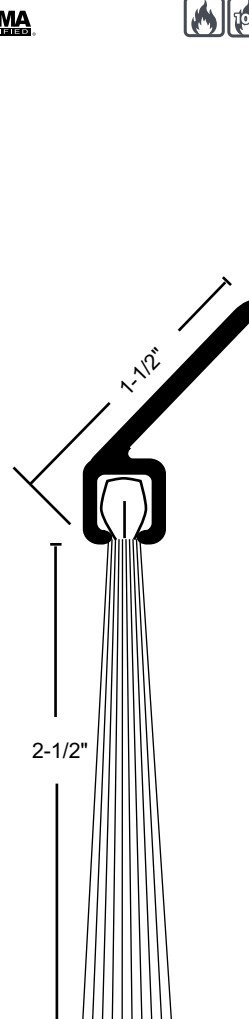
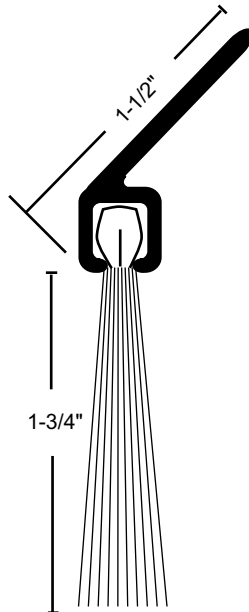
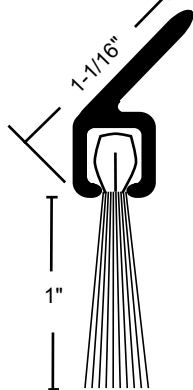
**603A**  
603A-BB  
603DKB



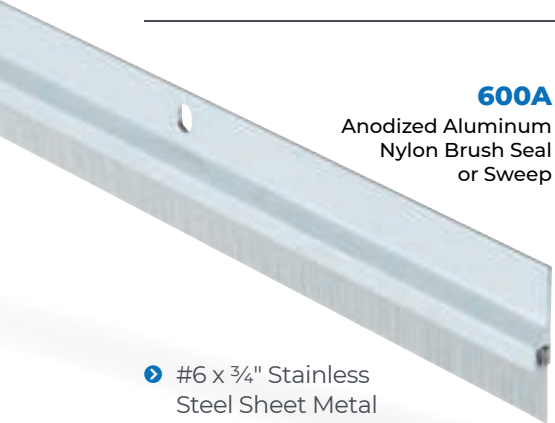
**602A**  
602A-BB  
602DKB



\* Up To 3 Hours Metal Doors,  
1 Hour Wood Doors

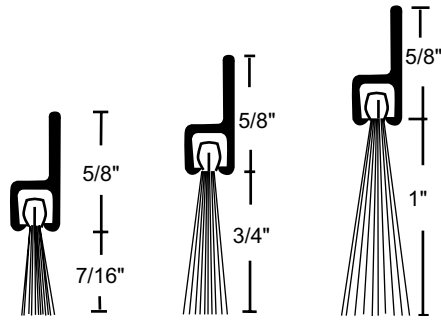


# NYLON BRUSH SEALS



**600A**  
Anodized Aluminum  
Nylon Brush Seal  
or Sweep

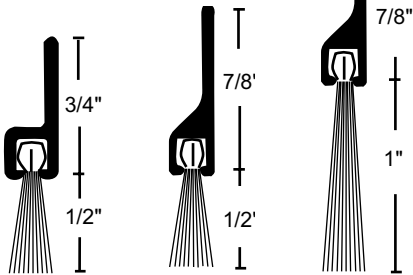
▶ #6 x 3/4" Stainless Steel Sheet Metal Screws Furnished. Screw Holes Slotted for Adjustment.



**A605A**  
**A605A-BB**  
**A605DKB**

**OV634A**  
**OV634A-BB**  
**OV634DKB**

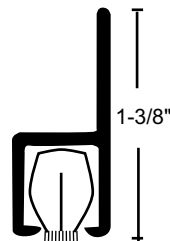
**OV633A**  
**OV633A-BB**  
**OV633DKB**



**B606A**  
**B606A-BB**  
**B606DKB**

**600**  
**600-BB**  
**600A**  
**600A-BB**  
**600DKB**

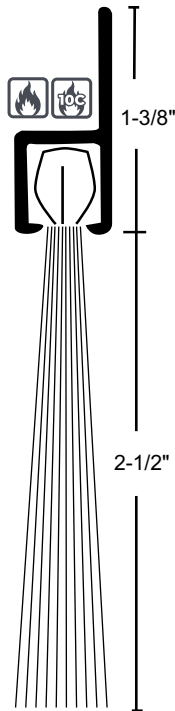
**601**  
**601-BB**  
**601A**  
**601A-BB**  
**601DKB**



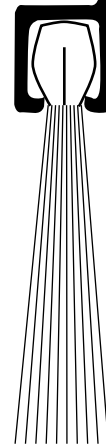
**I-615A**  
**I-615A-BB**  
**I-615DKB**



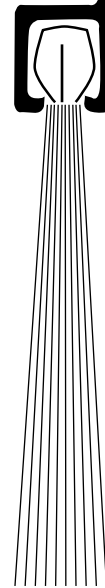
**G610A**  
**G610A-BB**  
**G610DKB**



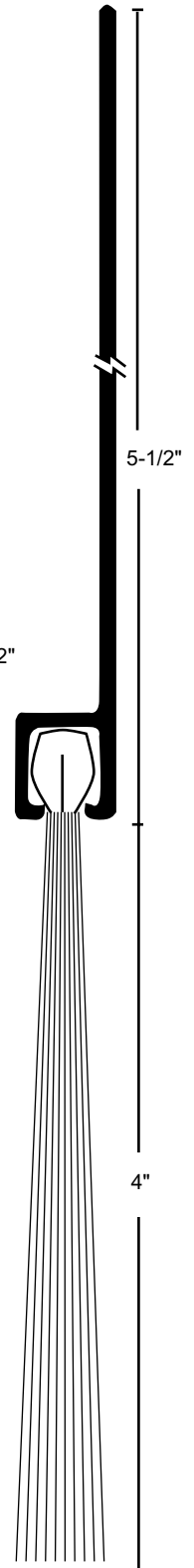
**H612A**  
**H612A-BB**  
**H612DKB**



**G611A**  
**G611A-BB**  
**G611DKB**



**H614A**  
**H614A-BB**  
**H614DKB**



**I-616A**  
**I-616A-BB**  
**I-616DKB**

# PERIMETER SEALS

COMPATIBLE WITH PARALLEL ARM CLOSERS

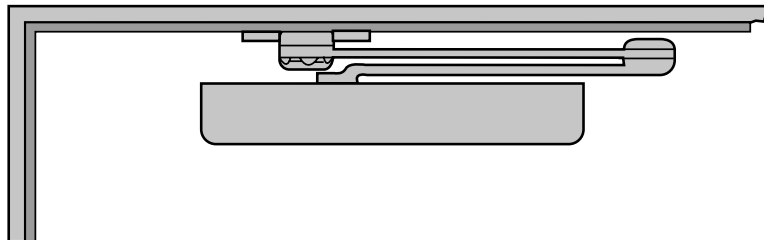
- ▶ No Break in Seal for Closer Mounting
- ▶ Closer and/or Overhead Holder Attach to Frame Through Weatherseal Section. Install Seal First
- ▶ Allows Mounting of Rim Exit Device Strikes Without Notching Gasketing
- ▶ Head Section Not Drilled
- ▶ Jamb Sections Furnished With Slotted Holes for Adjustment
- ▶ Self-Drilling #8 (Tek-type) Screws Furnished



**700ES**  
Mill Aluminum  
Silicone Perimeter Seal

PRODUCT#	SUFFIX	FINISH
	<b>A</b>	Anodized Aluminum
	<b>DKB</b>	Dark Bronze / Black Anodized
	<b>None</b>	Mill Aluminum

*Vinyl, Neoprene, Silicone and Polyurethane are Black -BB = Black Brush*



1-1/2" 15/16"

1/4"

neoprene

**700EN**  
**700ENDKB**

1-1/2" 15/16"

1/4"

silicone

**700ES**  
**700ESDKB**

1-1/2" 15/16"

1/4"

polyurethane

**700EU**  
**700EUDKB**

1-1/2" 15/16"

1/4"

vinyl

**705EV**  
**705EVDKB**

1-1/2" 7/16"

1/4"

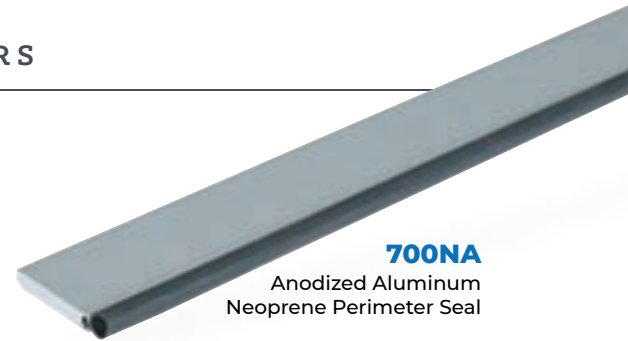
nylon brush

**706E** Gray Brush  
**706E-BB** Black Brush

# PERIMETER SEALS

## COMPATIBLE WITH PARALLEL ARM CLOSERS

- ▶ No Break in Seal for Closer Mounting
- ▶ Closer and/or Overhead Holder Attach to Frame Through Weatherseal Section. Install Seal First
- ▶ Allows Mounting of Rim Exit Device Strikes Without Notching Gasketing
- ▶ Head Section Not Drilled
- ▶ Jamb Sections Furnished With Slotted Holes for Adjustment
- ▶ Self-Drilling #8 (Tek-type) Screws Furnished

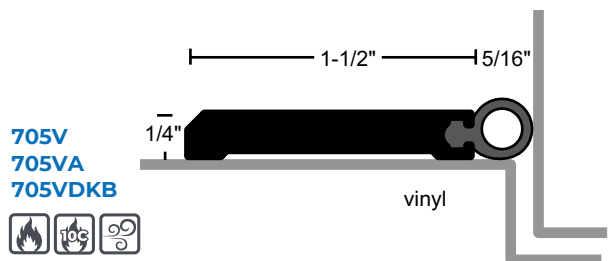
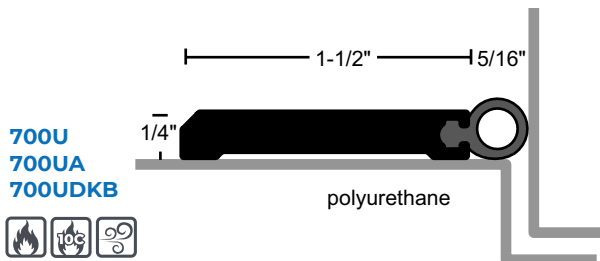
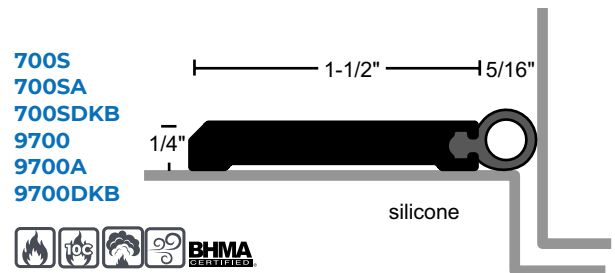
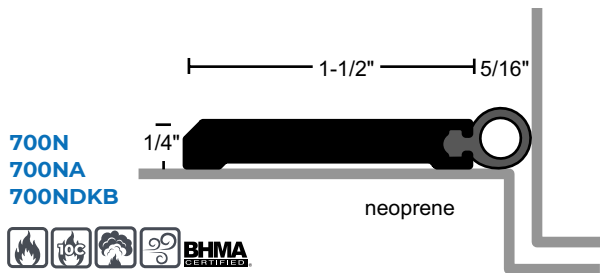


### 700NA

Anodized Aluminum  
Neoprene Perimeter Seal

PRODUCT#	SUFFIX	FINISH
	<b>A</b>	Anodized Aluminum
	<b>DKB</b>	Dark Bronze / Black Anodized
	<b>None</b>	Mill Aluminum

*Vinyl, Neoprene, Silicone and Polyurethane are Black*

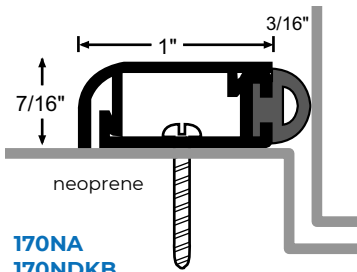


# CONCEALED FASTENER SEALS

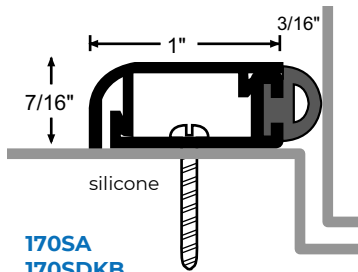
- ▶ Snap-On Cover Conceals Screw Heads for Clean Appearance
- ▶ #6 x 3/4" Stainless Steel Sheet Metal Screws Furnished
- ▶ Screw Holes Slotted for Adjustment

## 172NA

Anodized Aluminum  
Neoprene Perimeter  
Seal with Concealed  
Fastener



170NA  
170NDKB

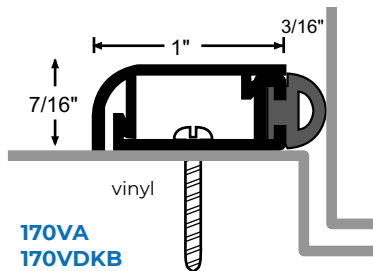


170SA  
170SDKB

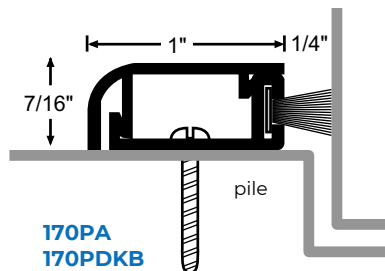


SUFFIX	FINISH
<b>A</b>	Anodized Aluminum
<b>DKB</b>	Dark Bronze / Black Anodized
<b>None</b>	Mill Aluminum

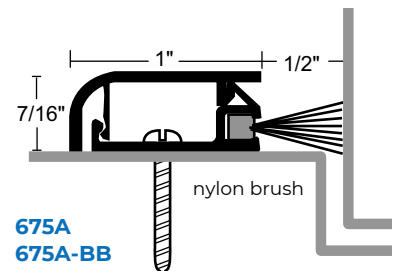
*Pile is Gray  
Vinyl, Neoprene &  
Silicone are Black  
Nylon Brush is Gray with Anodized  
Alum and Black with DKB Metal.  
-BB = Black Brush*



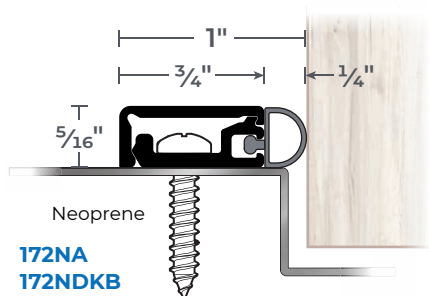
170VA  
170VDKB



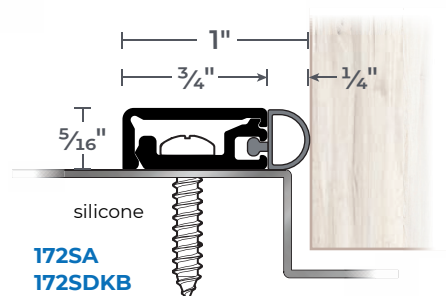
170PA  
170PDKB



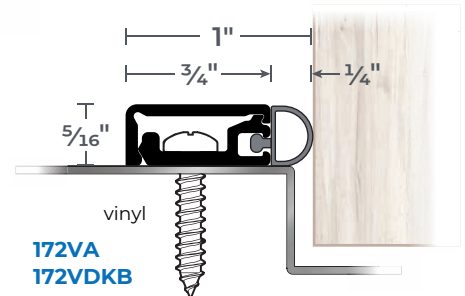
675A  
675A-BB  
675DKB



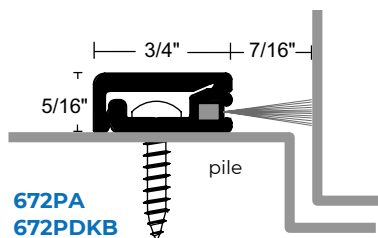
172NA  
172NDKB



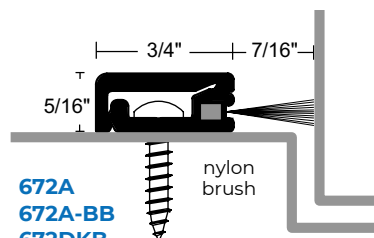
172SA  
172SDKB



172VA  
172VDKB



672PA  
672PDKB



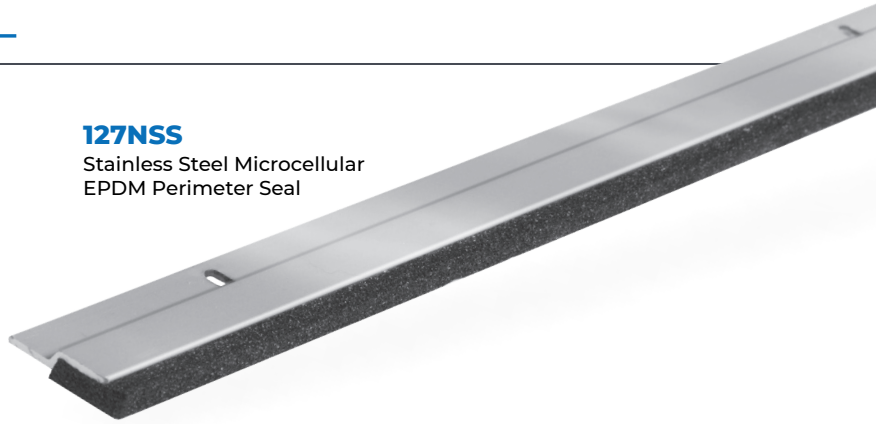
672A  
672A-BB  
672DKB



# STAINLESS STEEL

- ▶ Stainless Steel Type 304 Brushed #4 Finish (US32D, 630)
- ▶ #6 x ¾" Stainless Steel SMS Furnished
- ▶ Screw Holes Slotted for Adjustment
- ▶ Microcellular EPDM, Silicone, Neoprene, Polyurethane are Black

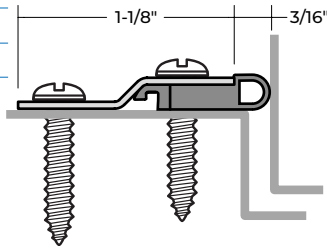
**127NSS**  
Stainless Steel Microcellular  
EPDM Perimeter Seal



## PERIMETER SEALS

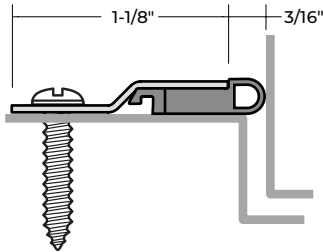
**120NSS** Microcellular EPDM

**120SSS** Silicone

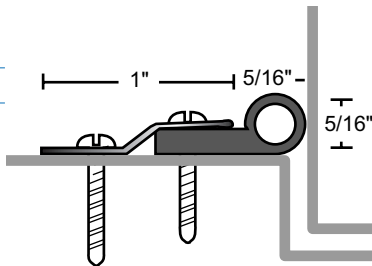


**127NSS** Microcellular EPDM

**127SSS** Silicone

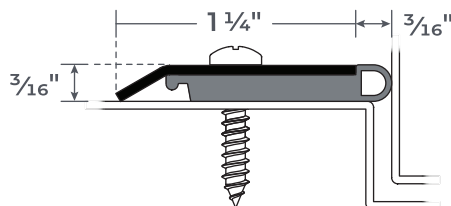


**129NSS** Neoprene

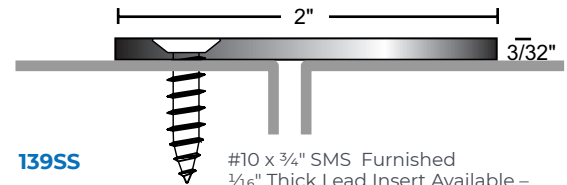


**130NSS** Microcellular EPDM

**130SSS** Silicone

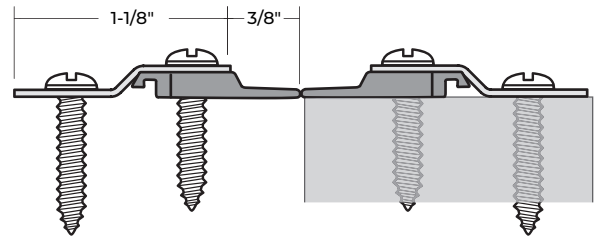


## ASTRAGAL SEALS



**139SS**

#10 x ¾" SMS Furnished  
¼" Thick Lead Insert Available –  
Specify "Lead-Lined"



**125NSS** Microcellular EPDM

**912SSS** Silicone

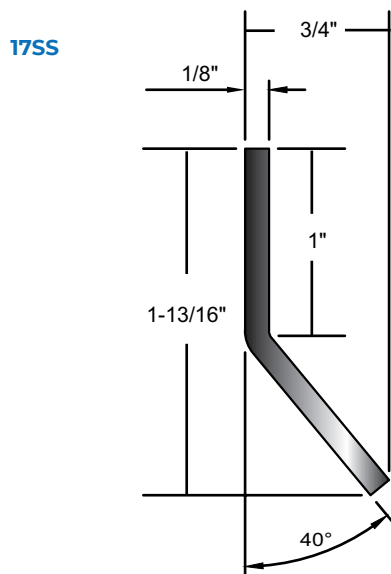
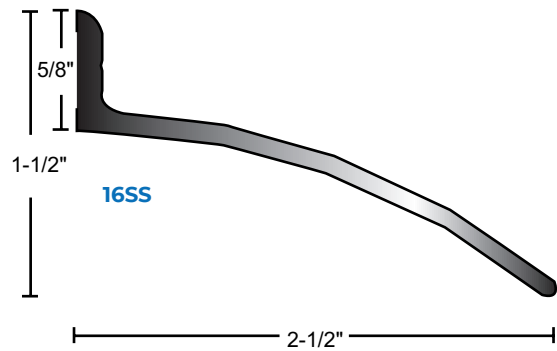


Provided as Two-Piece Set

# STAINLESS STEEL

- Stainless Steel Type 304 Brushed #4 Finish (US32D, 630)
- Silicone and Neoprene are Black. Nylon Brush Available in Gray or Black (Please Specify).
- #6 x 3/4" Stainless Steel SMS Furnished
- Screw Holes Slotted for Adjustment

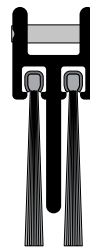
## RAIN DRIP GUARD



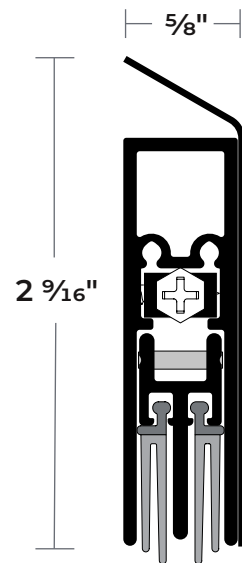
## AUTOMATIC DOOR BOTTOM

- Stainless Steel Type 304 Brushed #4 Finish (US32D, 630)
- BHMA Certified to ANSI/BHMA A156.22, 1,000,000 Cycle Test-Grade 1
- Lead Insert Available for Radiation Shield – Specify ‘Lead Lined’
- Door Bottom is Handed. Right Hand Supplied Unless Specified

- 229NSS** Black Neoprene
- 229SSS** Black Silicone
- 229WHSS** Black Nylon Brush

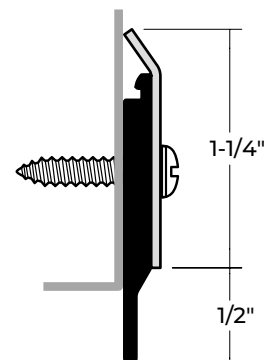


Drop Bar with Nylon Brush - Suffix "WH"



## DOOR SWEEP

- 200NSS** Neoprene
- 200SSS** Silicone

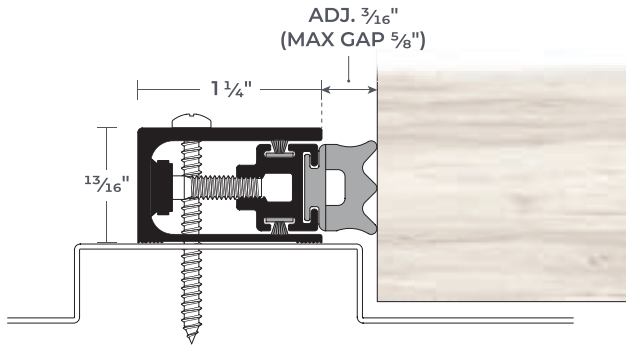


# ADJUSTABLE PERIMETER SEALS

- ▶ Adjustment Screws on 10" Centers Allow Adjustment Without Re-Positioning Mounting Location
- ▶ #6 x 3/4" or #6 x 1 1/2" Stainless Steel SMS Furnished

## 107SA

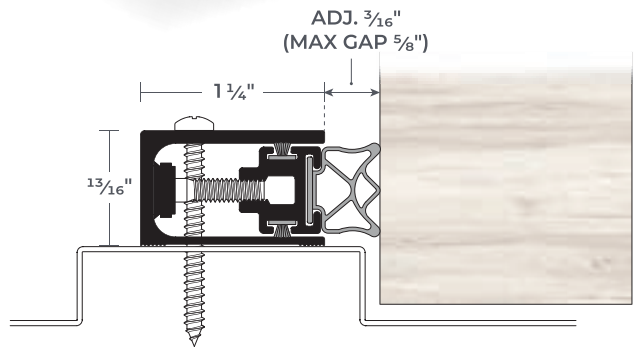
Anodized Aluminum Adjustable Perimeter Seal with Silicone Seal



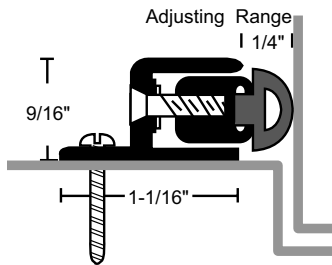
PRODUCT#	INSERT	FINISH
<b>103NA</b>	Black Neoprene	Anodized Aluminum
<b>103NDKB</b>	Black Neoprene	Dark Bronze / Black Anodized



Option: Foam back seal - suffix 'FS'  
 103N used with Parallel Arm Door Closer requires use of #3 Bracket on page G31



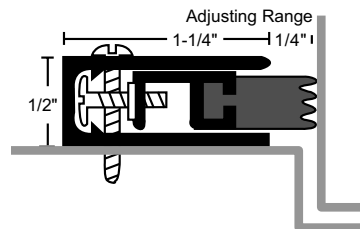
PRODUCT#	INSERT	FINISH
<b>1038NA</b>	Black Neoprene	Anodized Aluminum
<b>1038NDKB</b>	Black Neoprene	Dark Bronze / Black Anodized



PRODUCT#	INSERT	FINISH
<b>106NA</b>	Black Neoprene	Anodized Aluminum
<b>106NDKB</b>	Black Neoprene	Dark Bronze / Black Anodized



PRODUCT#	INSERT	FINISH
<b>106SA</b>	Black Silicone	Anodized Aluminum
<b>106SDKB</b>	Black Silicone	Dark Bronze / Black Anodized



PRODUCT#	INSERT	FINISH
<b>107NA</b>	Black Neoprene	Anodized Aluminum
<b>107NDKB</b>	Black Neoprene	Dark Bronze / Black Anodized



PRODUCT#	INSERT	FINISH
<b>107SA</b>	Black Silicone	Anodized Aluminum
<b>107SDKB</b>	Black Silicone	Dark Bronze / Black Anodized



107 used with Parallel Arm Door Closer requires use of #7 Bracket on page G31

# STEEL MOUNTING BRACKETS

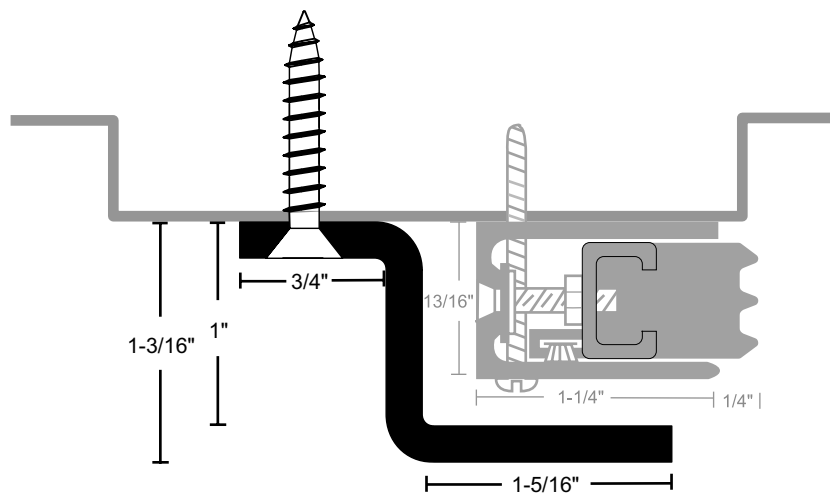
All Products on This Page:



- Allows Installation of Door Closer Shoe or Rim Exit Device Strike Without Interruption or Notching of Perimeter Seals
- Furnished With #12 x 1 1/4" SMS
- 3/16" Thick Steel
- 6" Long
- Powder Coat Finish

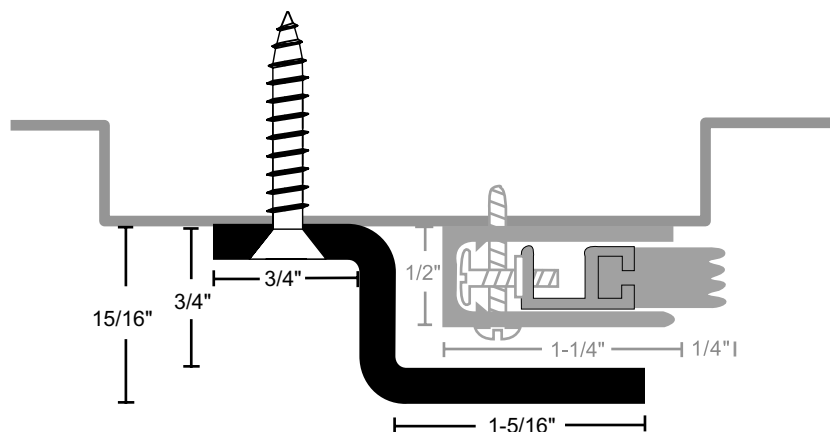
<b>3ASL</b>	Aluminum Silver
<b>3DKB</b>	Matte Black
<b>3SP</b>	Prime Coat

Fits Over 103N, 1038N



<b>7ASL</b>	Aluminum Silver
<b>7DKB</b>	Matte Black
<b>7SP</b>	Prime Coat

Fits Over 106N, 107N



# AUTOMATIC DOOR BOTTOMS

## SURFACE

All Products on This Page:



- Mounts on Push Side of Door
- Use with a Threshold for Maximum Sealing Capability
- Nylon Brush Recommended for Carpet Applications Where No Threshold is Provided
- Specify Exact Net Length Required to Avoid Field Sizing
- ADB's from 12" to 18" Can be Cut Down 1/2". ADB's 20" and Over Can be Cut Down up to 1 1/2"
- Minimum Length 11 1/2", Maximum Length 60"
- 3/4" Max Drop
- Steel End Caps Furnished Standard – Black Finish
- BHMA Certified to ANSI/BHMA A156.22, 1,000,000 Cycle Test-Grade 1
- Lead Insert Available for Radiation Shield – Specify 'Lead Lined'
- All Automatic Door Bottoms are Handed. Right Hand Supplied Unless Specified. Field Reversible

### 220SA

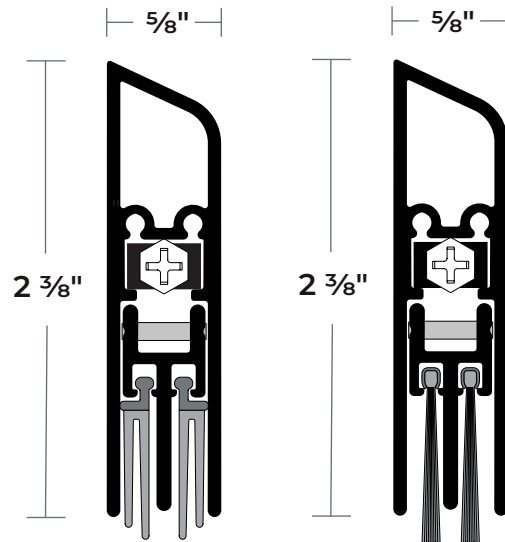
Anodized Aluminum Automatic Door Bottom with Silicone Seal



PRODUCT#	SUFFIX	FINISH
	<b>A</b>	Anodized Aluminum
	<b>DKB</b>	Dark Bronze / Black Anodized
	<b>None</b>	Mill Aluminum

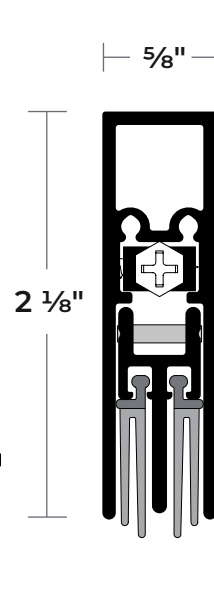
## SURFACE

<b>220NA</b>	Black Neoprene
<b>220NDKB</b>	Black Neoprene
<b>220SA</b>	Black Silicone
<b>220SDKB</b>	Black Silicone



<b>220WHA</b>	Black Nylon Brush
<b>220WHDKB</b>	Black Nylon Brush

<b>222NA</b>	Black Neoprene
<b>222NDKB</b>	Black Neoprene
<b>222SA</b>	Black Silicone
<b>222SDKB</b>	Black Silicone
<b>222WHA</b>	Black Nylon Brush
<b>222WHDKB</b>	Black Nylon Brush

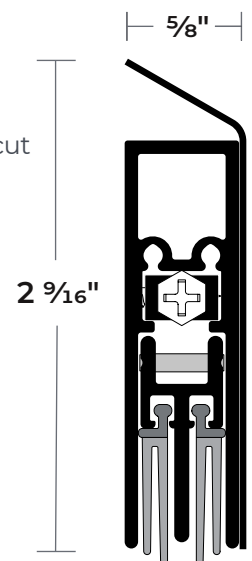


Drop Bar with Nylon Brush - Suffix "WH"

## STAINLESS STEEL

- ADB's from 12" to 18" can be cut down 1/2". ADB's 20" and over can be cut down up to 1 1/2"
- Minimum Length 11 1/2", Maximum Length 60"
- 3/4" Max Drop
- Stainless Steel End Caps Furnished Standard – #4 Brushed Finish

<b>229NSS</b>	Black Neoprene
<b>229SSS</b>	Black Silicone
<b>229WHSS</b>	Black Nylon Brush



# AUTOMATIC DOOR BOTTOMS

## HEAVY-DUTY SURFACE

All Products on This Page:



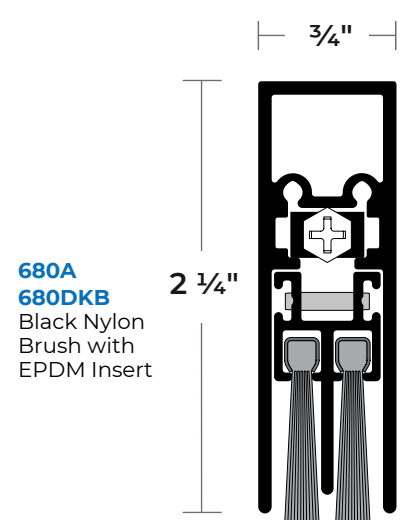
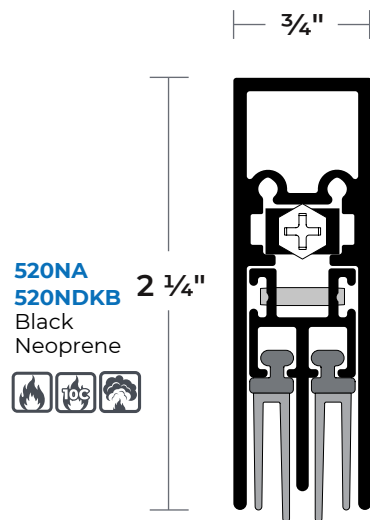
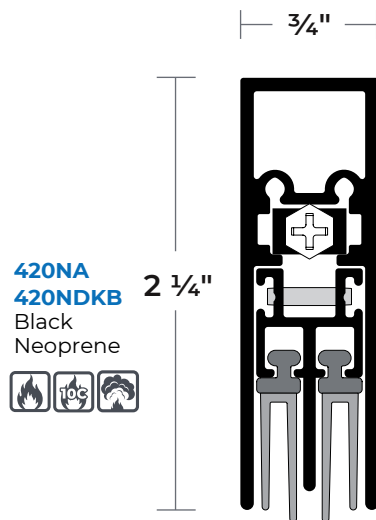
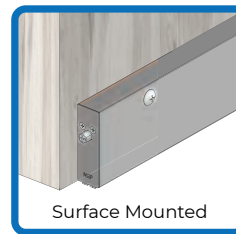
- Mounts on Push Side of Door
- Use With a Threshold for Maximum Sealing Capability
- Nylon Brush Recommended for Carpet Applications Where No Threshold is Provided
- Specify Exact Net Length Required to Avoid Field Sizing
- ADB's from 12" to 18" Can be Cut Down 1/2".  
ADB's 20" and Over Can be Cut Down up to 1 1/2"
- Minimum Length 11 1/2", Maximum Length 60"
- 3/4" Max Drop
- Steel End Caps Furnished Standard – Black Finish
- BHMA Certified to ANSI/BHMA A156.22, 1,000,000 Cycle Test-Grade 1
- Lead Insert Available for Radiation Shield – Specify 'Lead Lined'
- All Automatic Door Bottoms are Handed. Right Hand Supplied Unless Specified. Field Reversible

### 420NA

Anodized Aluminum Heavy-Duty Surface, Automatic Door Bottom with Neoprene Seal



PRODUCT# SUFFIX	FINISH
A	Anodized Aluminum
DKB	Dark Bronze / Black Anodized



# AUTOMATIC DOOR BOTTOMS

## MORTISE

All Products on This Page:



- ▶ Fits Wood Fire Door Mortise Restrictions
- ▶ Use With a Threshold for Maximum Sealing Capability
- ▶ Nylon Brush Recommended for Carpet Applications Where No Threshold is Provided
- ▶ Specify Exact Net Length Required to Avoid Field Sizing
- ▶ Furnished 1/2" Shorter Than Ordered to Fit Within Net Door Size (i.e. 36" is Furnished 35 1/2")
- ▶ ADB's from 12" to 18" Can be Cut Down 1/2". ADB's 20" and Over Can be Cut Down up to 1 1/2"
- ▶ Minimum Length 11 1/2", Maximum Length 60"
- ▶ 3/4" Max Drop
- ▶ Black Plastic End Caps Furnished Standard
- ▶ BHMA Certified to ANSI/BHMA A156.22, 1,000,000 Cycle Test-Grade 1
- ▶ Lead Insert Available for Radiation Shield – Specify 'Lead Lined'
- ▶ Non-Handed

### 335NA

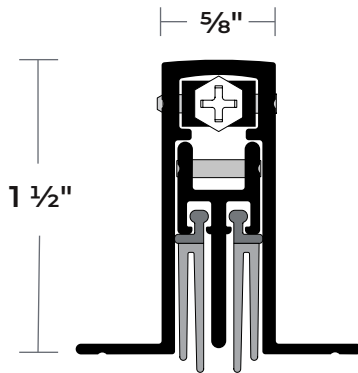
Clear Anodized Aluminum  
Mortise Automatic Door  
Bottom with Neoprene Seal



### 335NA Neoprene

Mortise Required  
5/8" x 1 1/2"

### 335SA Silicone



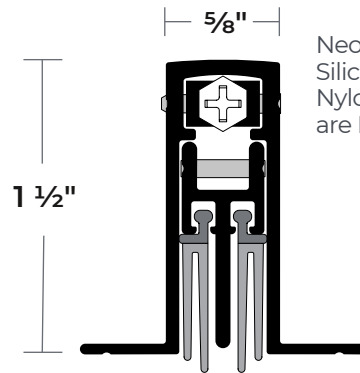
### 225NA Neoprene

Mortise Required  
5/8" x 1 1/2"

### 225SA Silicone

### 225WHA Nylon Brush

Drop Bar  
with Nylon  
Brush -  
Suffix "WH"



Neoprene,  
Silicone &  
Nylon Brush  
are Black

## HOLLOW METAL DOORS

- ▶ Fits in 1 5/8" x 3/4" Channel. A "Furring Strip" May Be Used to Lower Automatic Door Bottom When a Deeper Channel is Used
- ▶ Furnished 1/2" Shorter Than Ordered to Fit Within Net Door Size (i.e. 36" is Furnished 35 1/2") Length May Be Field Cut up to 1 1/2"
- ▶ 5/8" Max Drop
- ▶ Fire Ratings Apply to Metal Doors Only
- ▶ #6 x 1/2" Tek Screws Furnished
- ▶ End Caps Not Available
- ▶ Available 12" to 60" in Length
- ▶ BHMA Certified to ANSI/BHMA A156.22, 1,000,000 Cycle Test-Grade 1
- ▶ Lead Insert Available for Radiation Shield – Specify 'Lead Lined'
- ▶ Non-Handed

### 320SA

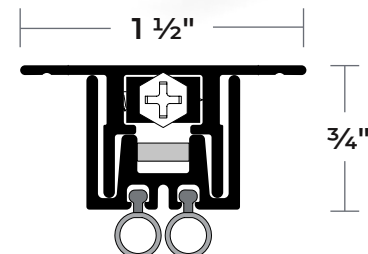
Clear Anodized Aluminum  
Automatic Door Bottom for  
Hollow Metal Doors with  
Silicone Seal



### 320NA Neoprene

### 320SA Silicone

### 320VA Vinyl



# AUTOMATIC DOOR BOTTOMS

All Products on This Page:

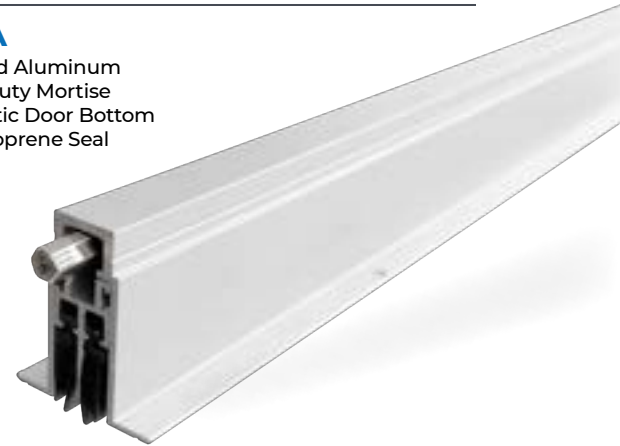
## HEAVY-DUTY MORTISE



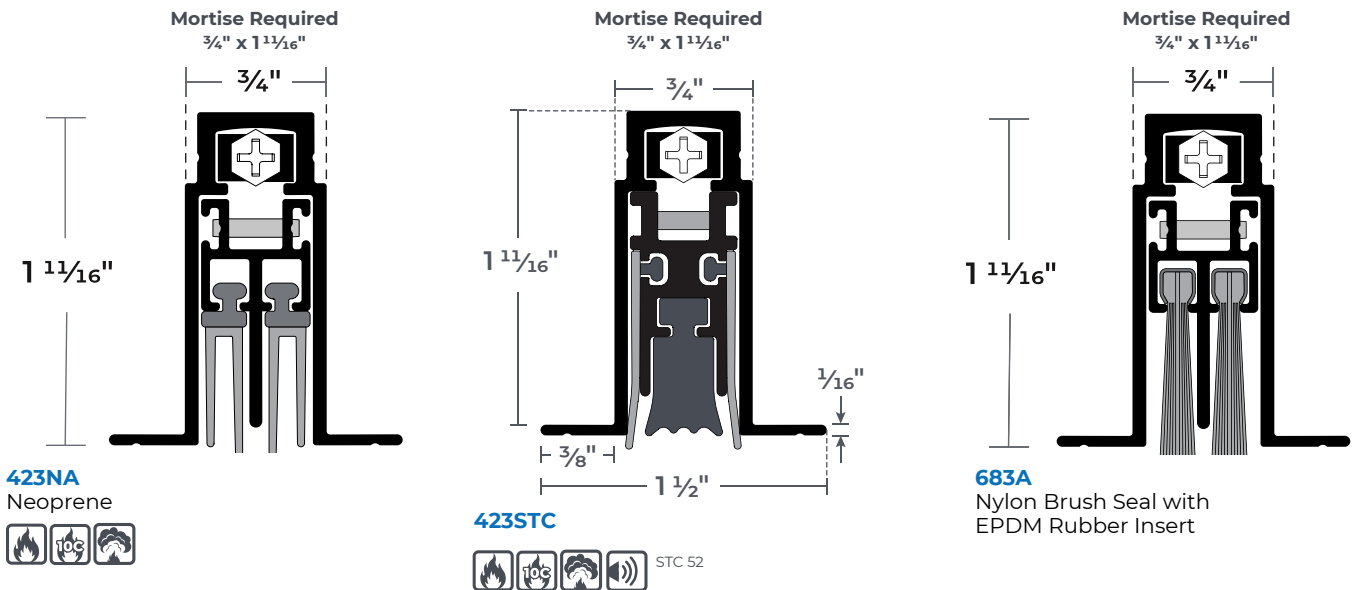
- ▶ Fits Wood Fire Door Mortise Restrictions
- ▶ Use With a Threshold for Maximum Sealing Capability
- ▶ Nylon Brush Recommended for Carpet Applications Where No Threshold Is Provided
- ▶ Specify Exact Net Length Required to Avoid Field Sizing
- ▶ Furnished  $\frac{1}{2}$ " Shorter Than Ordered to Fit Within Net Door Size (i.e. 36" is Furnished 35  $\frac{1}{2}$ ")
- ▶ ADB's from 12" to 18" Can be Cut Down  $\frac{1}{2}$ ". ADB's 20" and Over Can be Cut Down up to 1  $\frac{1}{2}$ "
- ▶ Minimum Length 11  $\frac{1}{2}$ ", Maximum Length 60"
- ▶  $\frac{3}{4}$ " Max Drop
- ▶ Black Plastic End Caps Furnished Standard
- ▶ BHMA Certified to ANSI/BHMA A156.22, 1,000,000 Cycle Test-Grade 1
- ▶ Lead Insert Available for Radiation Shield – Specify 'Lead Lined' (Not Available on 423STC)
- ▶ Non-Handed

### 423NA

Anodized Aluminum Heavy-Duty Mortise Automatic Door Bottom with Neoprene Seal



Neoprene is Black  
Nylon Brush is Black  
#6 x  $\frac{1}{2}$ " Tek Screws  
Furnished



# ACOUSTICAL DOOR SHOES

- ▶ Aluminum Alloy 6063, T5 Temper
- ▶ Thermoplastic Polymer: Polyvinyl Chloride  
Formulated with an Environmentally Friendly Bio-Based Plasticizer
- ▶ Economical
- ▶ Flame-Resistant
- ▶ Moisture-Resistant
- ▶ Temperature Range 0°F to 140°F
- ▶ Oxidative Degradation From Age and Exposure to Cold, Heat and UV Causes Hardening, Loss of Memory and Resilience, Cracking, Crizzling and Discoloration
- ▶ #6 x 3/4" Stainless Steel SMS Furnished
- ▶ Screw Holes Slotted for Adjustment

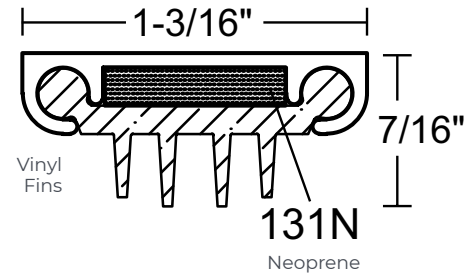
**312V X 131N**  
**312VDKB X 131N**



SPECIFY THE DESIRED INSERT, FINISH AND COLOR WHEN PLACING YOUR ORDER.

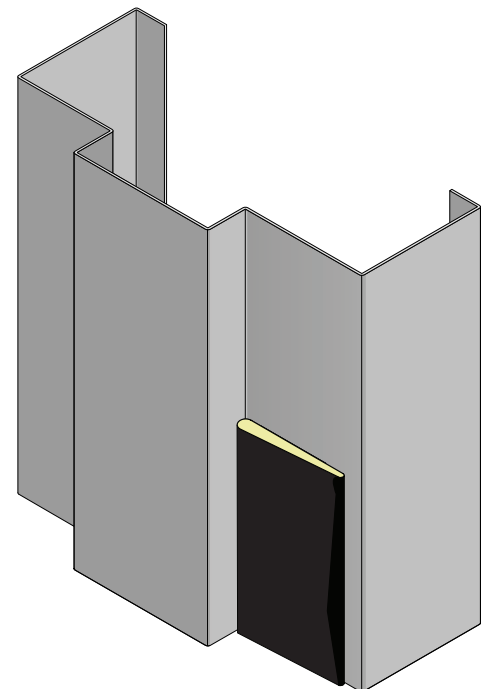
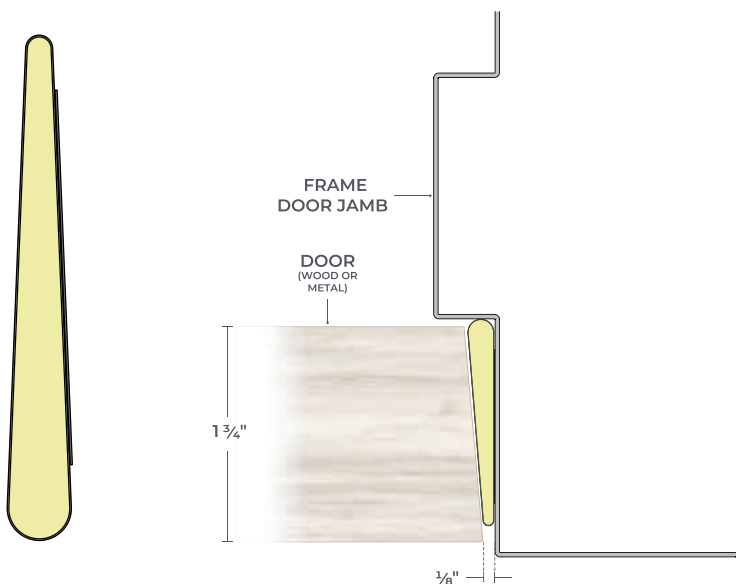
PRODUCT# SUFFIX	FINISH
<b>DKB</b>	Dark Bronze / Black Anodized
<b>None</b>	Mill Aluminum

*Vinyl is Black*



# STC RATED ACOUSTICAL FOAM PAD

- ▶ Foam Seal Self-Adhesive
- ▶ Helps Acoustics and Seals at Corner Gap
- ▶ Apply to Jambs on Hinge and Strike Side
- ▶ Available as Set of 2 Pads
- ▶ Color is Black

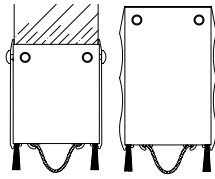


# EXTENDED DOOR SHOES

All Products on This Page:



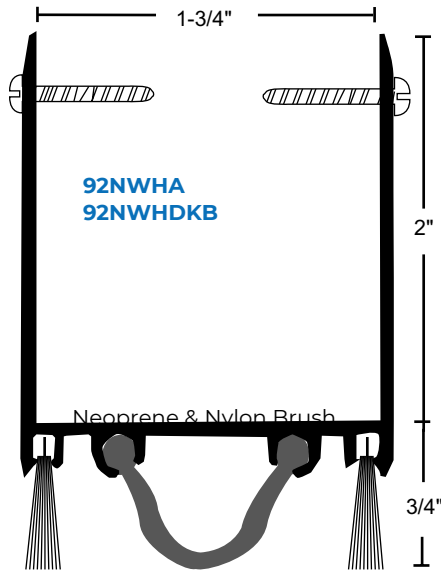
- ▶ #6 x 3/4" Stainless Steel  
SMS Furnished
- ▶ End Caps Available -  
Sold Separately



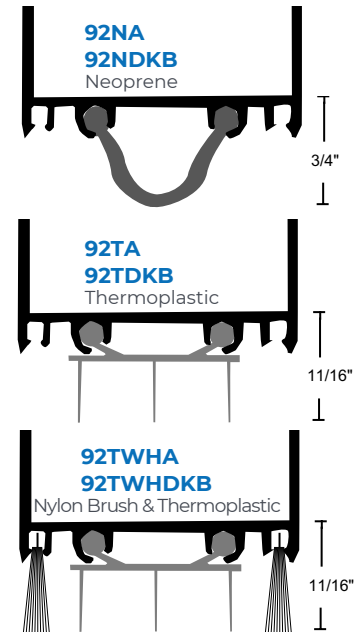
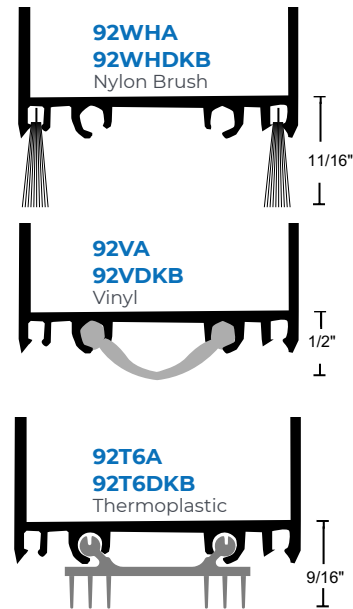
PRODUCT#	SUFFIX	FINISH
	<b>A</b>	Anodized Aluminum
	<b>DKB</b>	Dark Bronze / Black Anodized
	<b>None</b>	Mill Aluminum

*Vinyl is Black  
Neoprene is Black  
Thermoplastic is Dark Brown  
Nylon Brush is Gray\* with Anodized  
Aluminum; Black with DKB Metal*

## 92 SERIES

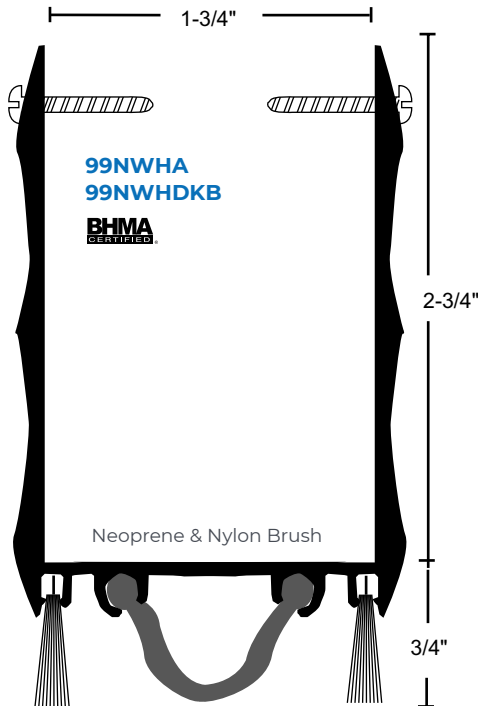


### GASKETING OPTIONS:

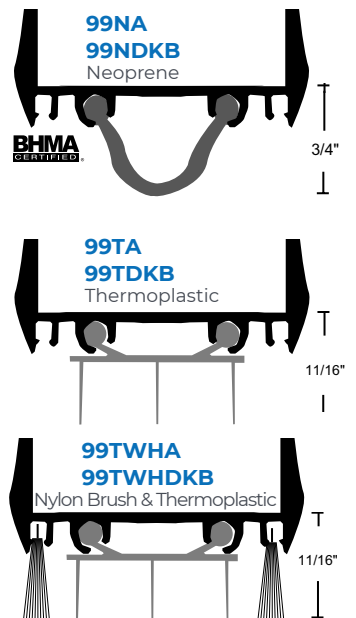
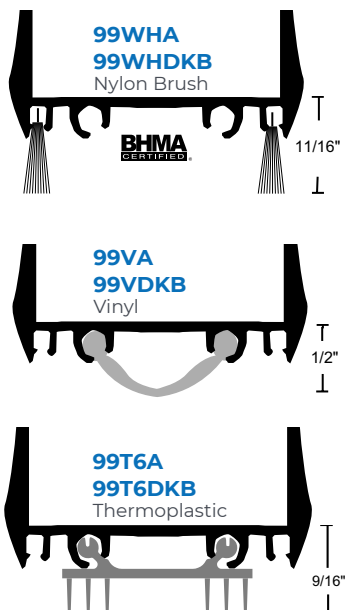


\*Specify Black Brush if Desired

## 99 SERIES



### GASKETING OPTIONS:



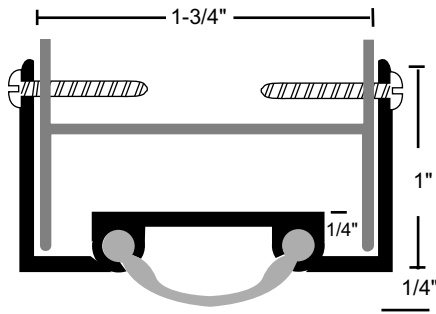
# SMOOTH VINYL DOOR SHOES

- ▶ #6 x 3/4" Stainless Steel Sheet Metal Screws Furnished
- ▶ Screw Holes Slotted for Adjustment

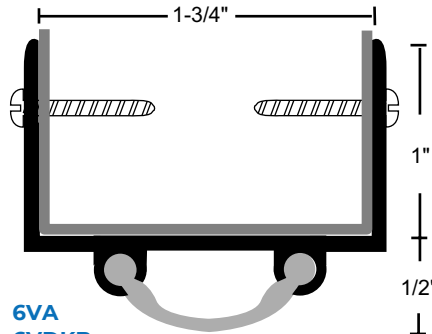


PRODUCT# SUFFIX	FINISH
A	Anodized Aluminum
DKB	Dark Bronze / Black Anodized
None	Mill Aluminum

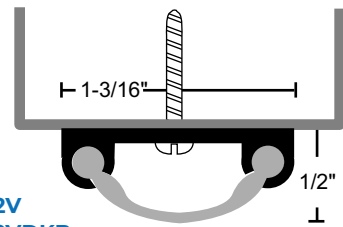
*Vinyl is Black*



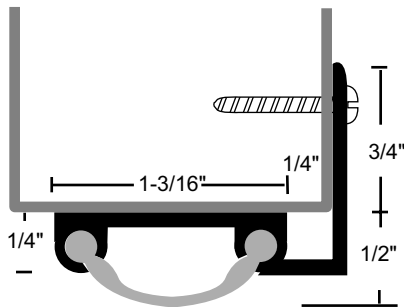
**5VA**  
**5VDKB**



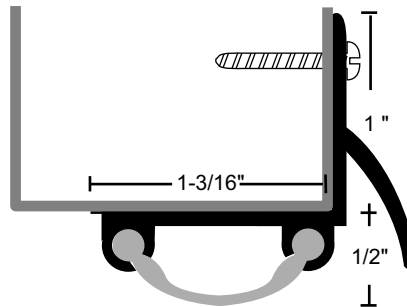
**6VA**  
**6VDKB**



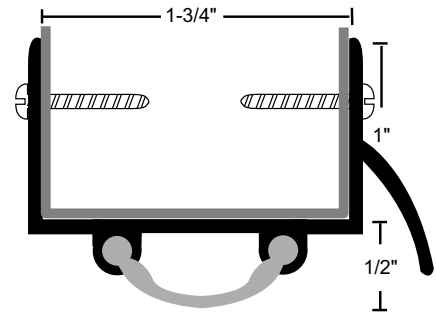
**12V**  
**12VDKB**



**13VA**  
**13VDKB**



**18V**

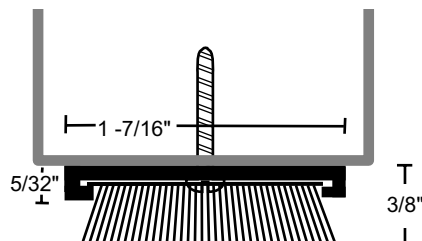


**19V**  
**19VDKB**

# POLYPROPYLENE PILE DOOR SHOES

- ▶ #6 x 3/4" Stainless Steel SMS Furnished
- ▶ Pile is Gray

**254P**  
**254PDKB**



# NEOPRENE, NYLON BRUSH, DOUBLE FIN

## DOOR SHOES

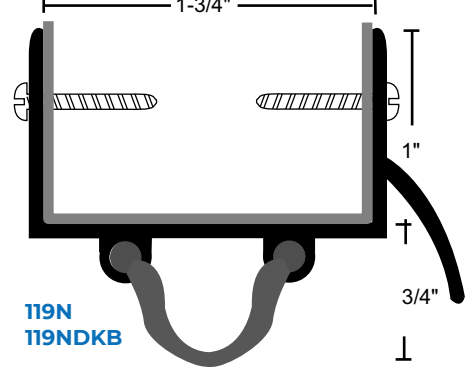
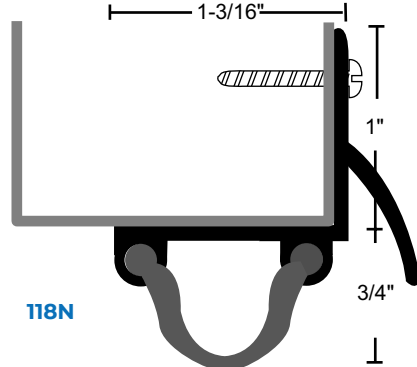
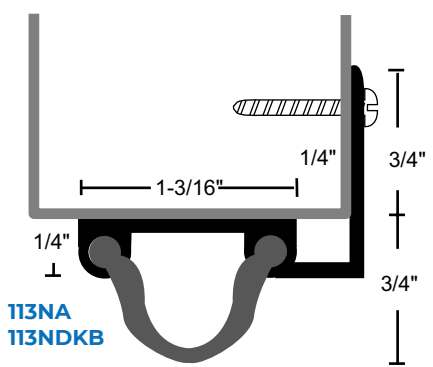
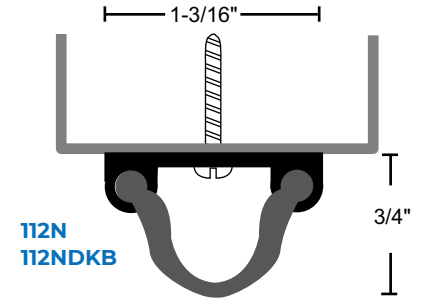
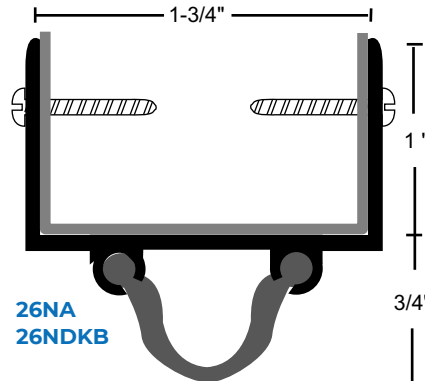
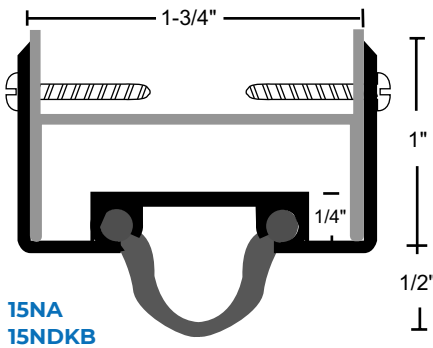
### NEOPRENE DOOR SHOES

- ▶ #6 x 3/4" Stainless Steel Sheet Metal Screws Furnished
- ▶ Screw Holes Slotted for Adjustment



PRODUCT# SUFFIX	FINISH
A	Anodized Aluminum
DKB	Dark Bronze / Black Anodized
None	Mill Aluminum

*Neoprene is Black*



### NYLON BRUSH DOOR SHOE

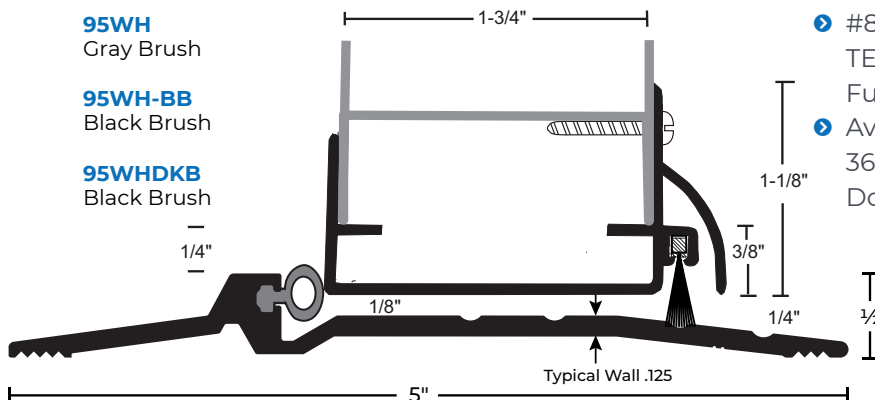
- ▶ #6 x 3/4" Stainless Steel SMS Furnished
- ▶ Screw Holes Slotted for Adjustment



**95WH**  
Gray Brush

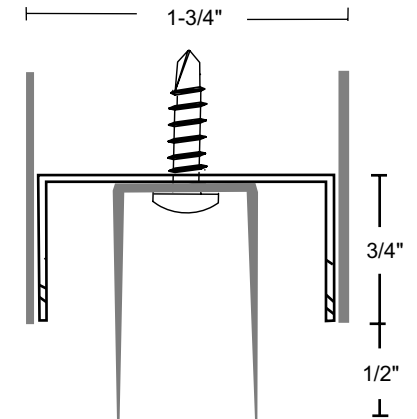
**95WH-BB**  
Black Brush

**95WHDKB**  
Black Brush



### DOUBLE FIN DOOR SHOE

- ▶ Rigid Polypropylene Top with Flexible TPV Fins
- ▶ Designed for Hollow Metal Doors with Inverted Bottom Channel
- ▶ Furnished Undrilled
- ▶ #8 x 3/4" TEK Screws Furnished
- ▶ Available for 36" and 48" Door Widths



**896**  
**896DKB**  
Threshold

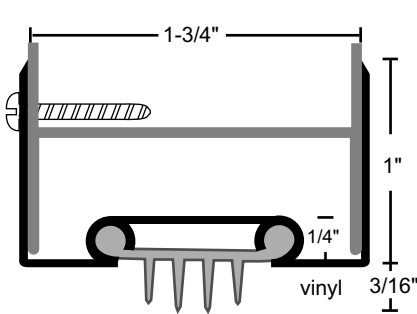
# FINNED VINYL DOOR SHOES

All Products on This Page:

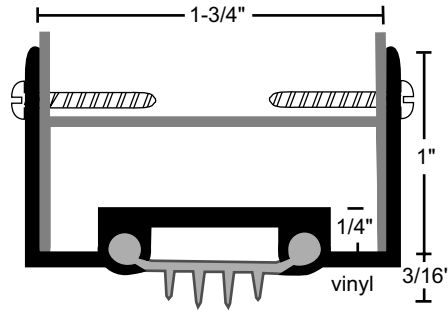


- ▶ #6 x 3/4" Stainless Steel SMS Furnished
- ▶ Screw Holes Slotted for Adjustment

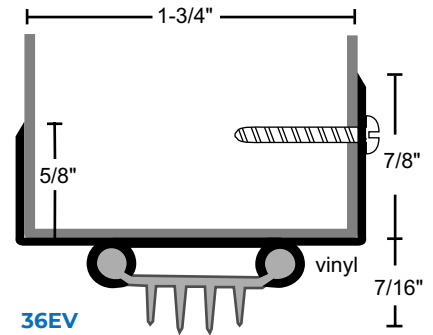
PRODUCT#	SUFFIX	FINISH
	<b>A</b>	Anodized Aluminum
	<b>DKB</b>	Dark Bronze / Black Anodized
	<b>None</b>	Mill Aluminum
<i>Vinyl is Black</i>		



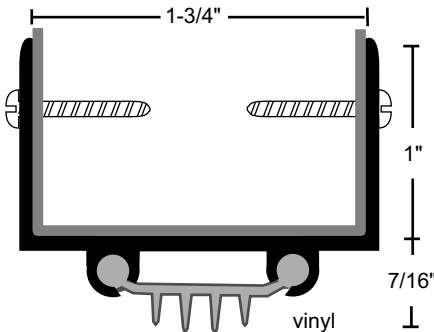
**35EV**  
**35EVDKB**



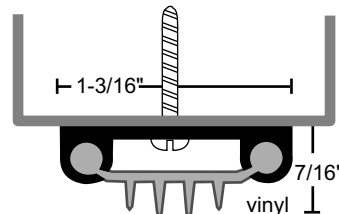
**35VA**  
**35VDKB**



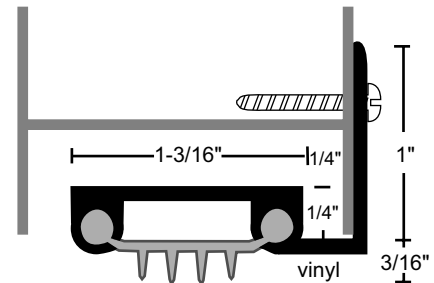
**36EV**  
**36EVDKB**



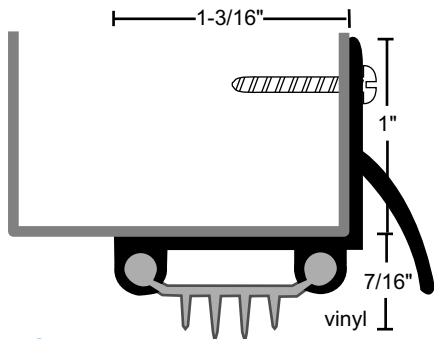
**36VA**  
**36VDKB**



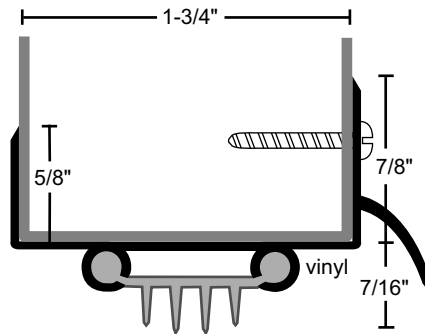
**312V**  
**312VDKB**



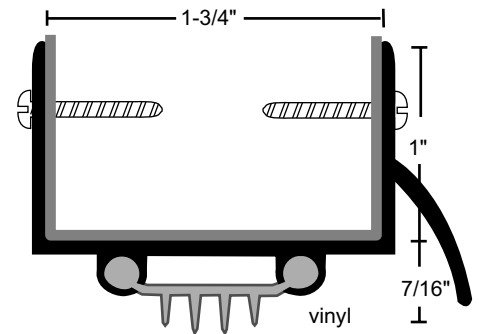
**313VA**  
**313VDKB**



**318V**



**319EV**  
**319EVDKB**



**319V**  
**319VDKB**

# THERMOPLASTIC DOOR SHOES

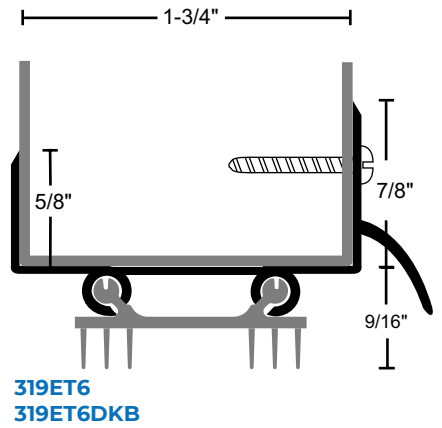
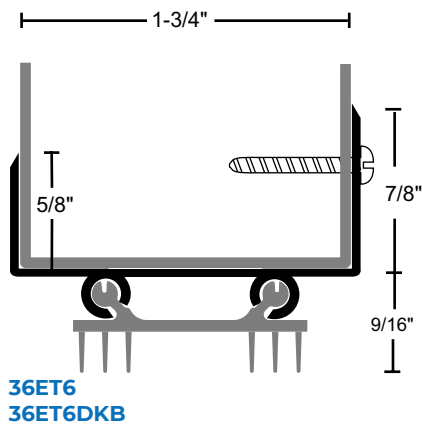
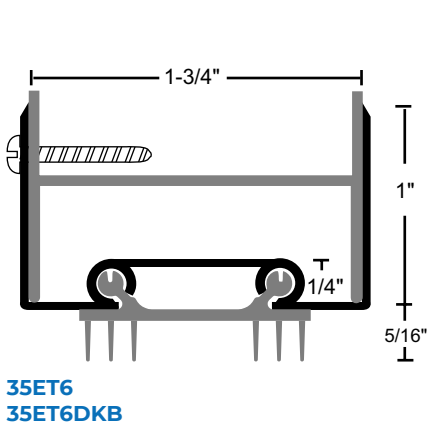
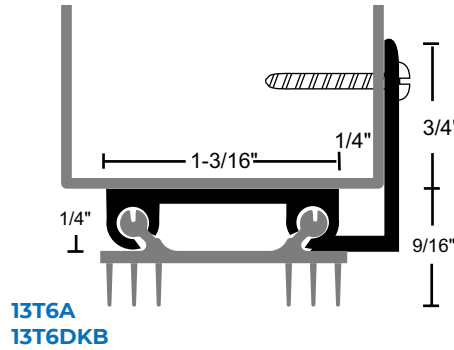
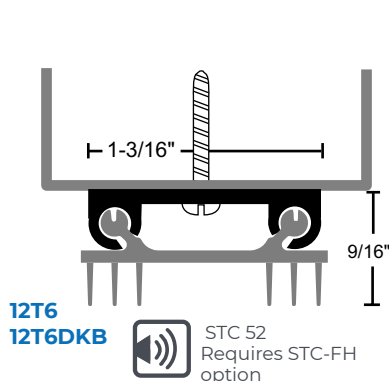
All Products on This Page:



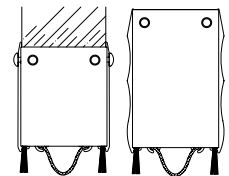
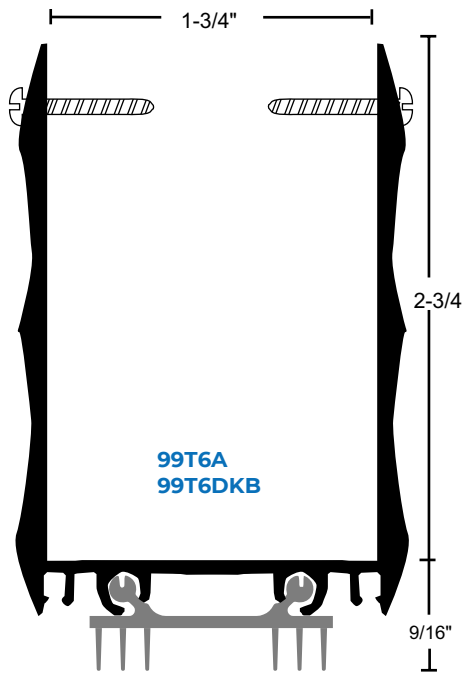
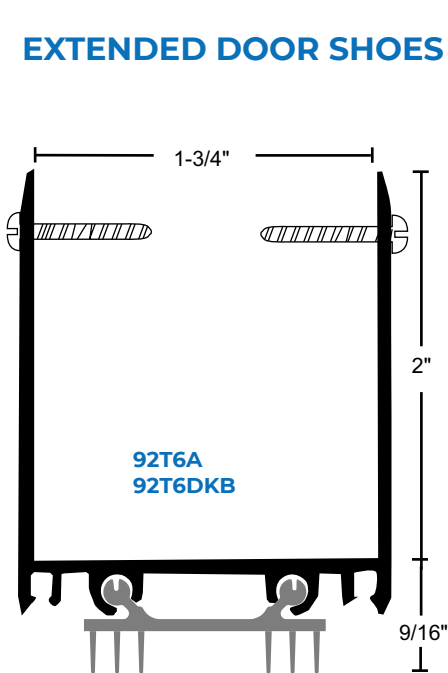
- ▶ Thermoplastic Polymer Seal with Rigid Base and Soft Vinyl Fins
- ▶ 48" Maximum Length
- ▶ #6 x 3/4" Stainless Steel SMS Furnished

PRODUCT#	SUFFIX	FINISH
	<b>A</b>	Anodized Aluminum
	<b>DKB</b>	Dark Bronze / Black Anodized
	<b>None</b>	Mill Aluminum

*Thermoplastic is Dark Brown*



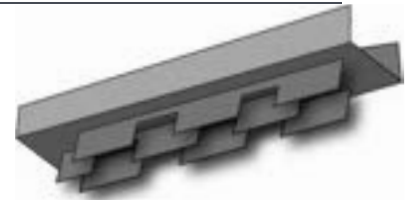
## EXTENDED DOOR SHOES



End Caps Available - Sold Separately

# THERMOPLASTIC DOOR SHOES

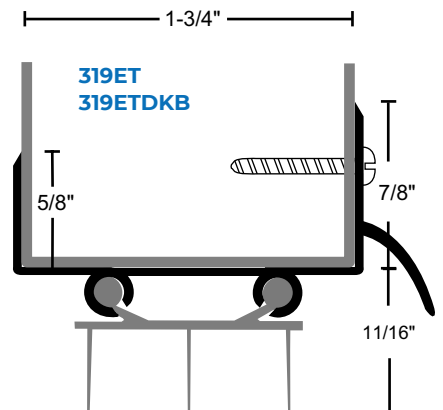
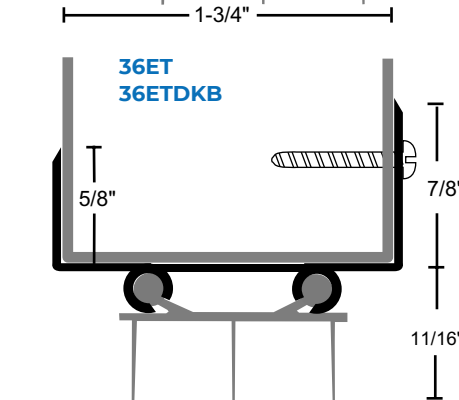
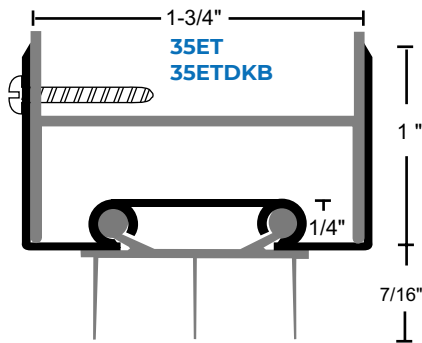
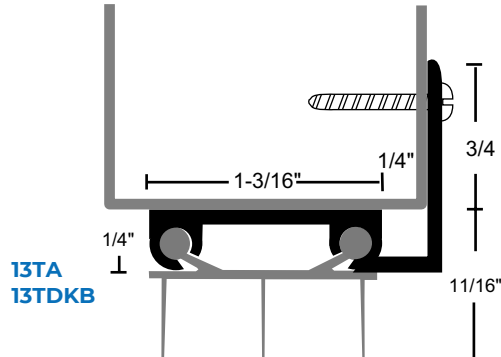
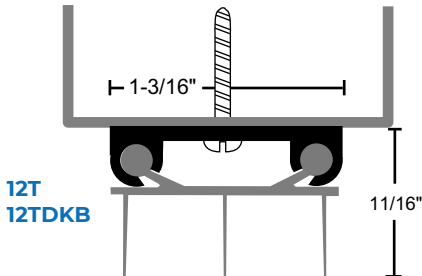
- ▶ Thermoplastic Polymer Seal with Rigid Base and Soft Vinyl Fins
- ▶ Available with Notched Fins to Allow Air Flow While Restricting Light, Suffix NF
- ▶ 48" Maximum Length
- ▶ #6 x 3/4" Stainless Steel SMS Furnished



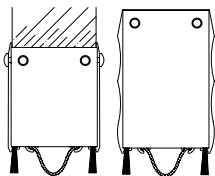
Option: Notched Fins - Suffix 'NF'

PRODUCT#	
SUFFIX	FINISH
A	Anodized Aluminum
DKB	Dark Bronze / Black Anodized
None	Mill Aluminum

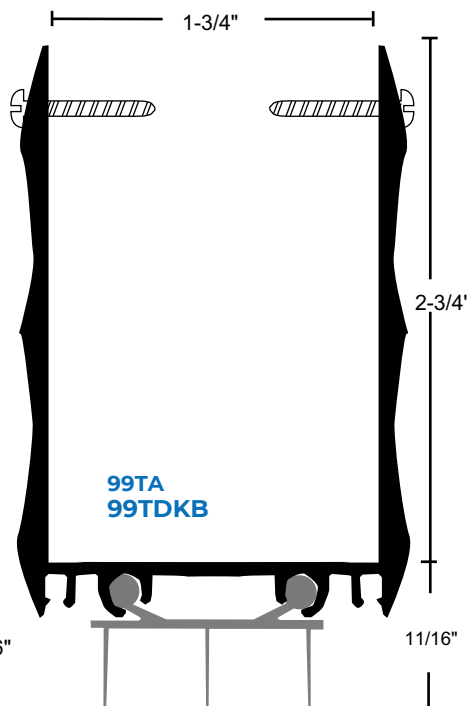
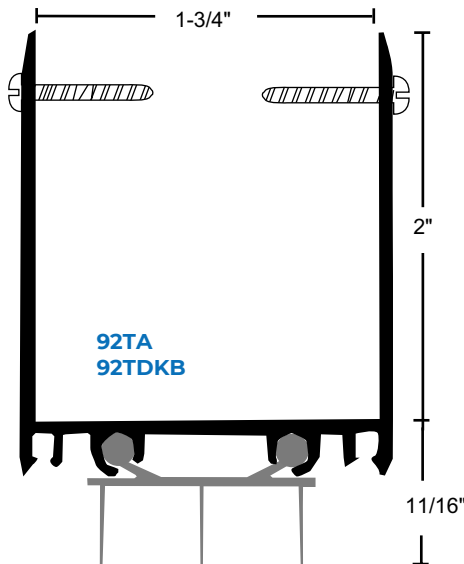
*Thermoplastic is Dark Brown*



## EXTENDED DOOR SHOES

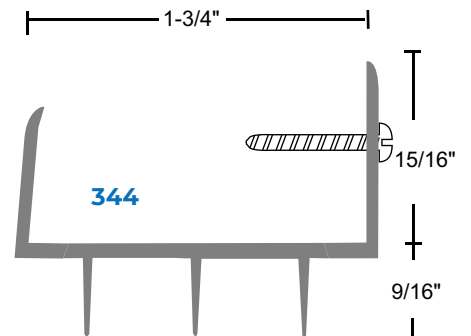


End Caps Available - Sold Separately



## RIGID THERMOPLASTIC DOOR SHOE WITH SOFT VINYL FINIS

- ▶ Available 36" and 48"
- ▶ Color is Dark Brown



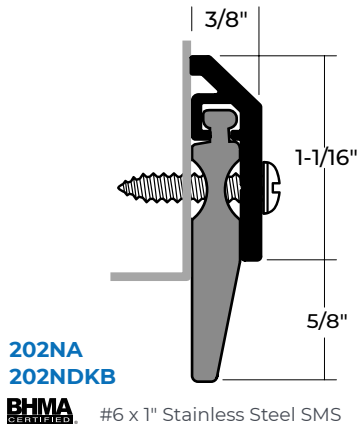
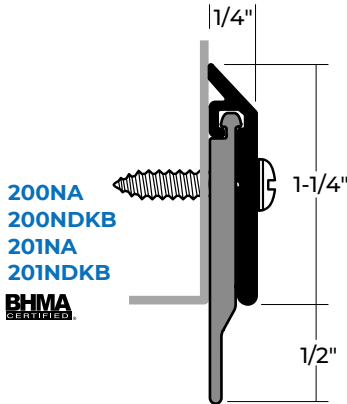
# NEOPRENE AND SILICONE SWEEPS

## NEOPRENE SWEEPS

- ▶ #6 x 3/4" Stainless Steel Sheet Metal Screws Furnished
- ▶ Screw Holes Slotted for Adjustment.



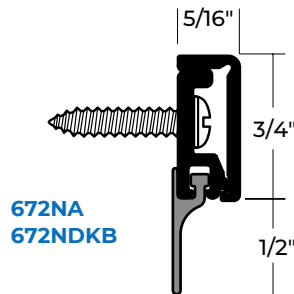
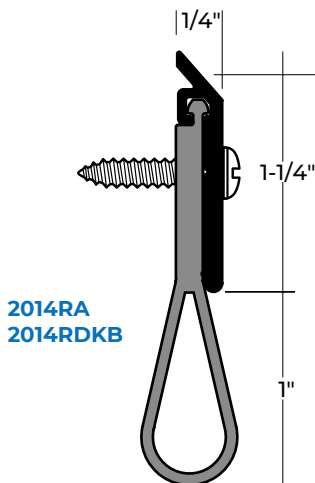
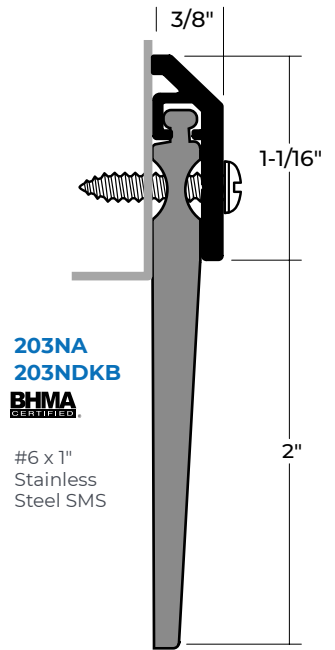
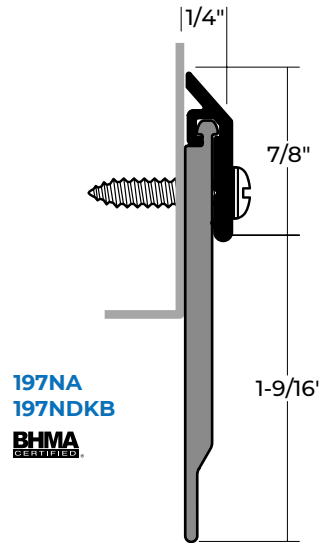
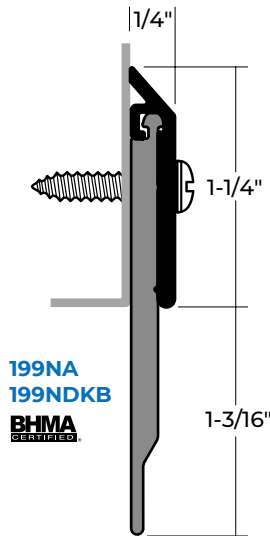
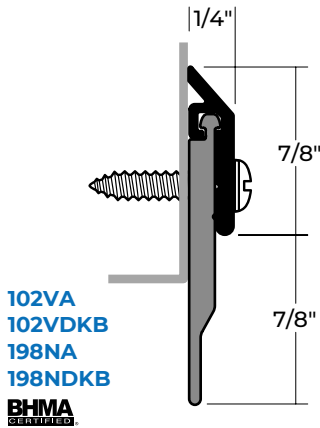
\*except 203N



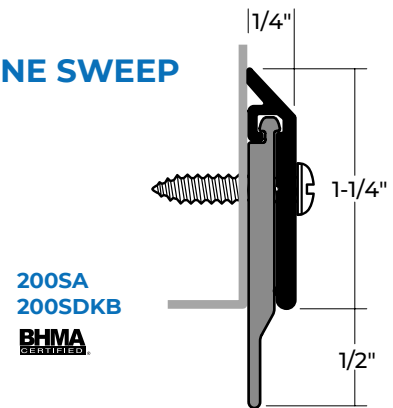
**200NA**  
Anodized Aluminum  
Neoprene Door Sweep

PRODUCT#	SUFFIX	FINISH
	<b>A</b>	Anodized Aluminum
	<b>DKB</b>	Dark Bronze / Black Anodized
	<b>None</b>	Mill Aluminum

*Neoprene and Silicone are Black*



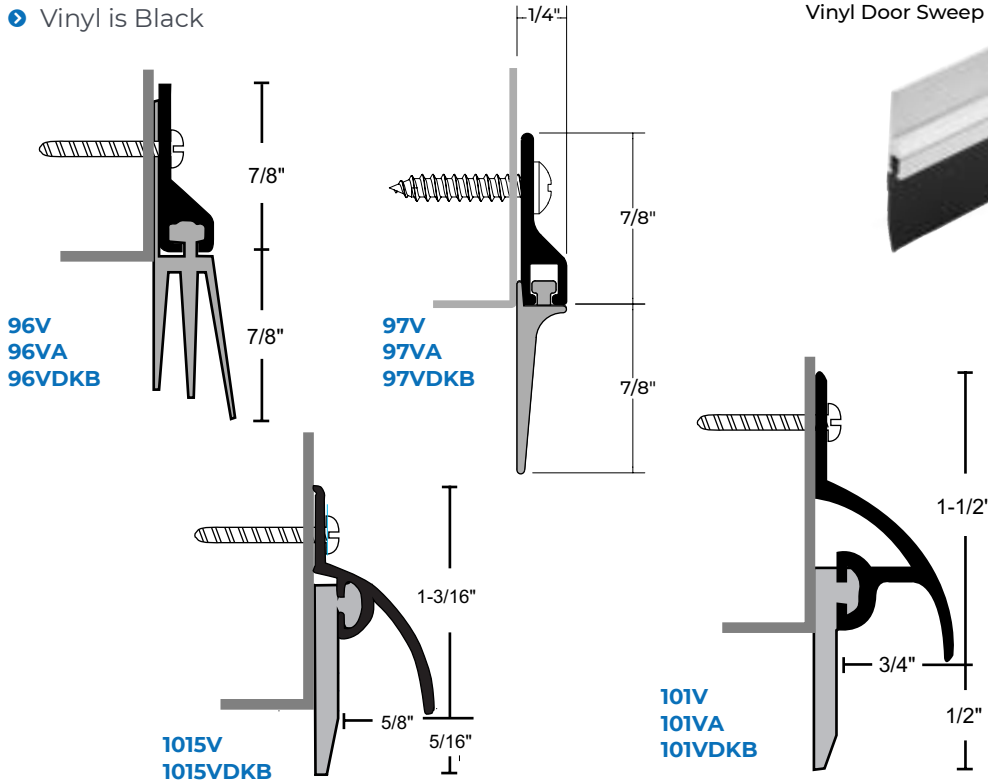
## SILICONE SWEEP



# VINYL SWEEPS



- ▶ #6 x 3/4" Stainless Steel SMS Furnished
- ▶ Screw Holes Slotted for Adjustment
- ▶ Vinyl is Black



**97VA**  
Anodized Aluminum  
Vinyl Door Sweep

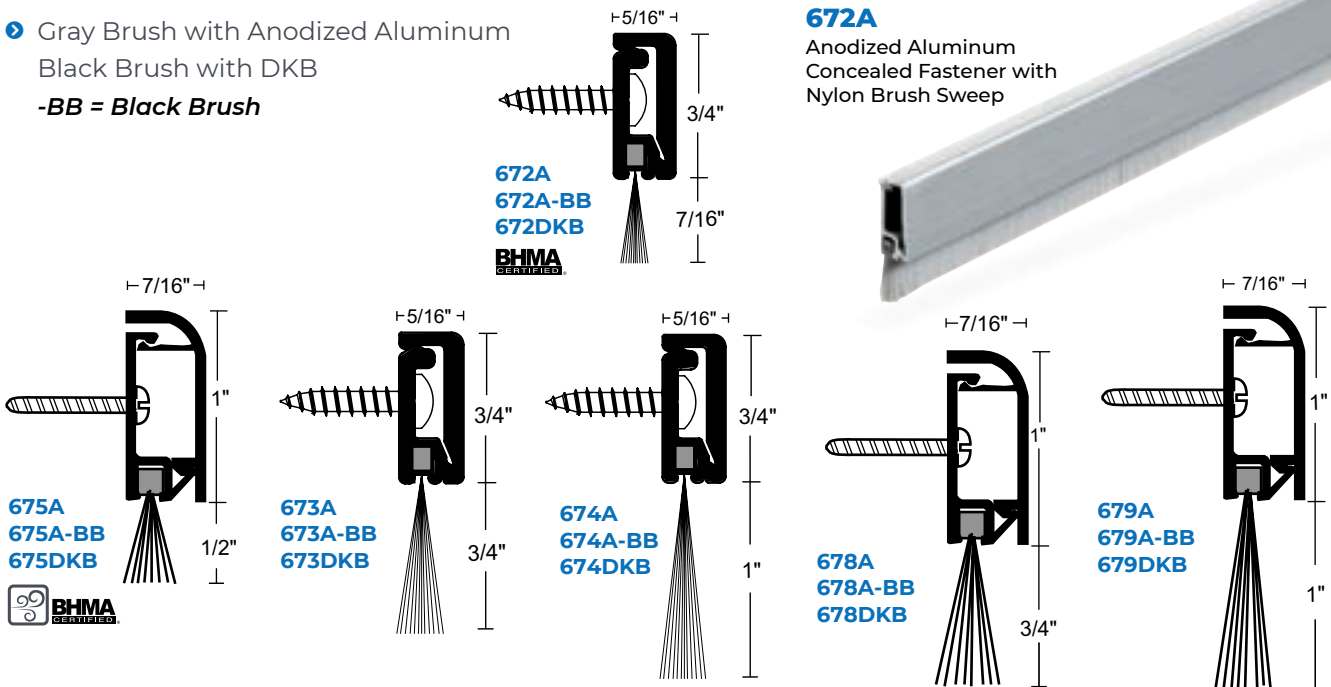
PRODUCT#	SUFFIX	FINISH
A		Anodized Aluminum
DKB		Dark Bronze / Black Anodized
None		Mill Aluminum

-BB = Black Brush

# CONCEALED FASTENER NYLON BRUSH SWEEPS



- ▶ Gray Brush with Anodized Aluminum
- ▶ Black Brush with DKB
- BB = Black Brush



**672A**  
Anodized Aluminum  
Concealed Fastener with  
Nylon Brush Sweep

# NYLON BRUSH SWEEPS

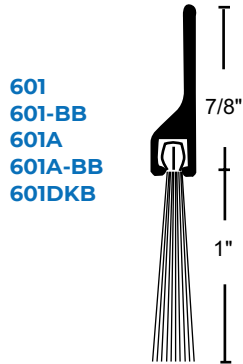
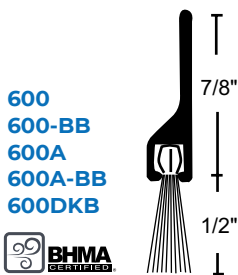
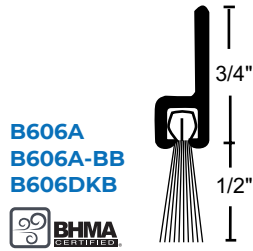
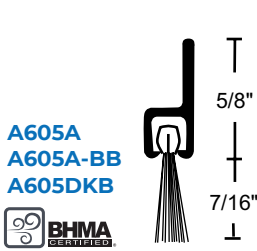
- ▶ #6 x 3/4" Stainless Steel SMS Furnished
- ▶ Screw Holes Slotted for Adjustment



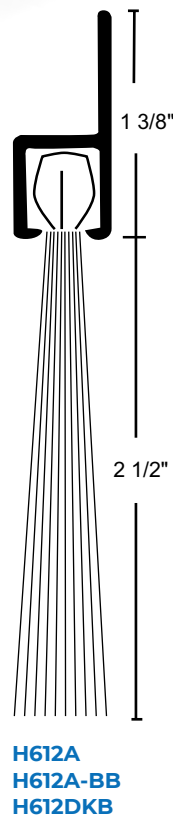
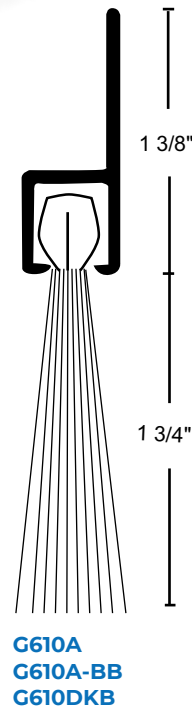
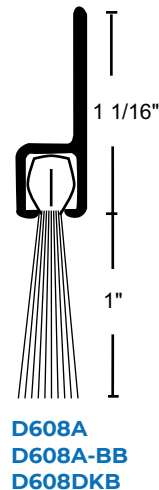
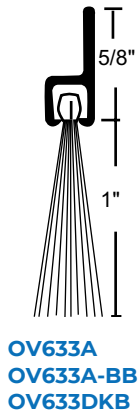
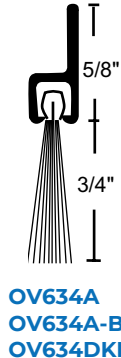
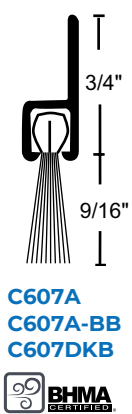
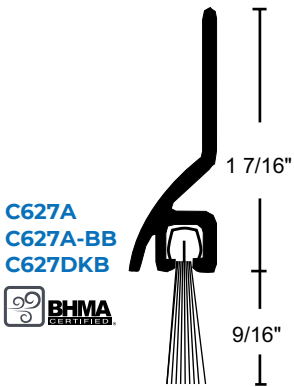
PRODUCT#	FINISH
<b>A</b>	Anodized Aluminum with Gray Brush*
<b>DKB</b>	Dark Bronze / Black Anodized with Black Brush
<b>None</b>	Mill Aluminum with Gray Brush

-BB = Black Brush

**600A**  
Anodized Aluminum  
Nylon Brush Seal  
or Sweep



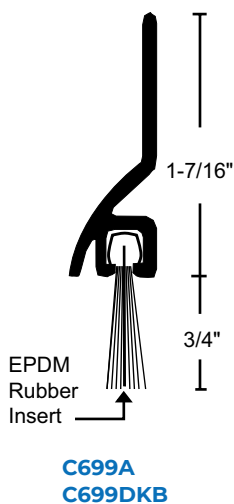
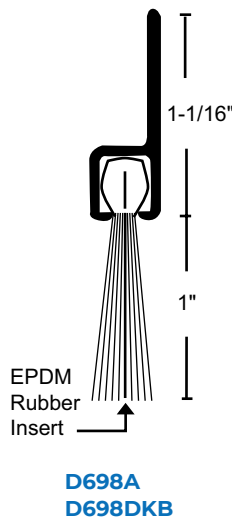
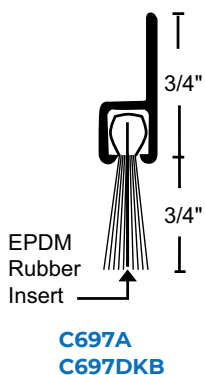
**C627A**  
Anodized Aluminum  
Nylon Brush Seal  
or Sweep



# NYLON BRUSH SEALS WITH EPDM RUBBER INSERT

- EPDM Rubber Insert Protects Against Water Penetration and Provides an Effective Bottom Seal for Exterior Doors
- Excellent Abrasion Resistance, Flexibility and Memory
- Moisture-Resistant
- Retains Insecticides Well
- Temperature Range - 60°F to 300°F
- #6 x 3/4" Stainless Steel SMS Furnished
- Screw Holes Slotted for Adjustment

PRODUCT# SUFFIX	FINISH
<b>A</b>	Clear Anodized with Black Brush
<b>DKB</b>	Dark Bronze /Black Anodized with Black Brush

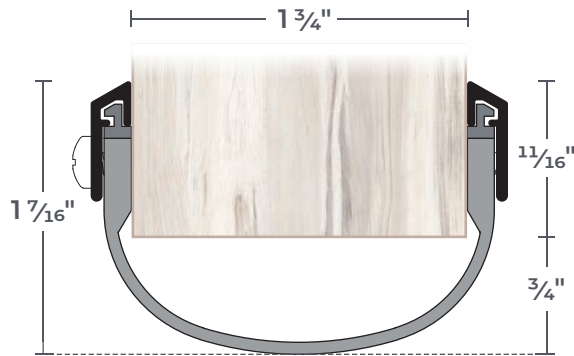


# DOOR BOTTOM SEALS

- ▶ Synthetic EPDM Rubber in Polypropylene Thermoplastic Matrix
- ▶ Flame-Resistant
- ▶ Moisture-Resistant
- ▶ Good Resistance to Ozone, Sunlight and Aging

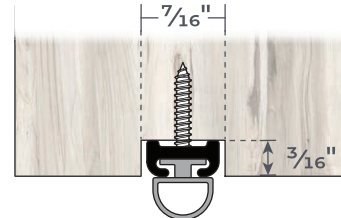
PRODUCT#	FINISH
<b>SUFFIX</b>	
<b>A</b>	Anodized Aluminum
<b>DKB</b>	Dark Bronze / Black Anodized
<b>None</b>	Mill Aluminum

*Neoprene & Silicone are Black*



For 1 3/4" Doors: **14RA-1 3/4"**  
**14RDKB-1 3/4"**

For 2 1/4" Doors: **14RA-2 1/4"**  
**14RDKB-2 1/4"**



**136N**  
**136NDKB**  
Neoprene

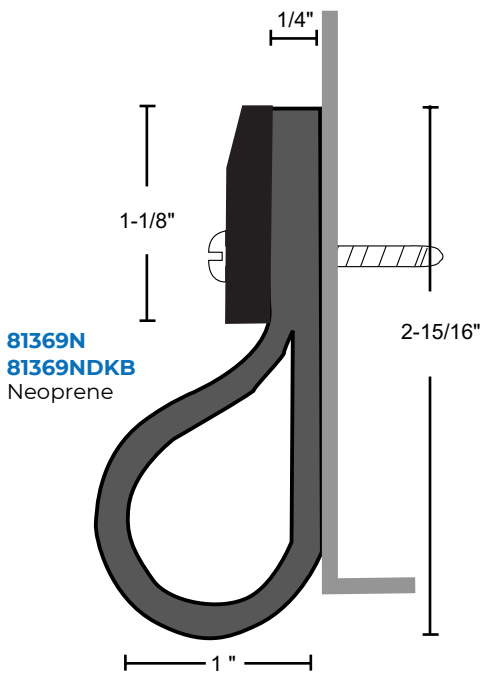
**136S**  
**136SDKB**  
Silicone

 **BHMA**  
CERTIFIED



Mortise 7/16" Wide x Desired Depth.  
#2 SMS Furnished

# OVERHEAD DOOR BOTTOM SEAL



**81369N**  
**81369NDKB**  
Neoprene

#8 x 1-1/4" Stainless Steel SMS



**81369N**  
Mill Aluminum  
Overhead Door  
Bottom Seal

- ▶ Synthetic EPDM Rubber in Polypropylene Thermoplastic Matrix
- ▶ Very Good Abrasion Resistance, Tensile Strength and Memory
- ▶ Flame-Resistant
- ▶ Moisture-Resistant
- ▶ Temperature Range -81°F to 275°F
- ▶ Good Resistance to Ozone Sunlight and Aging

# SMOKE-RATED ASTRAGAL SEALS

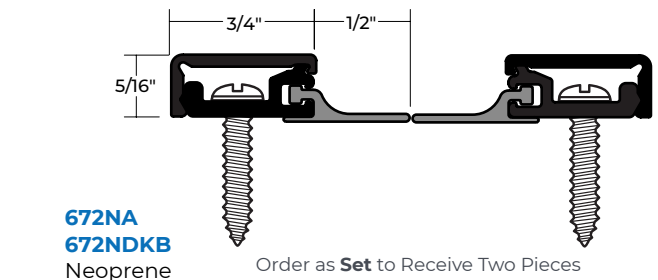
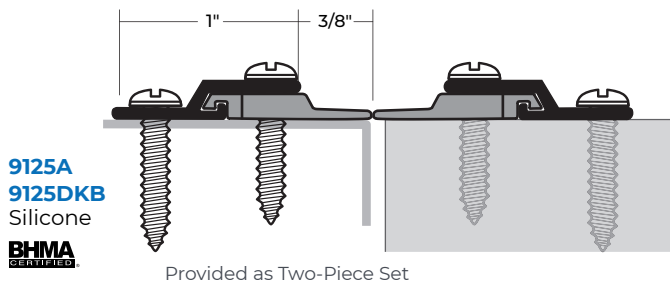
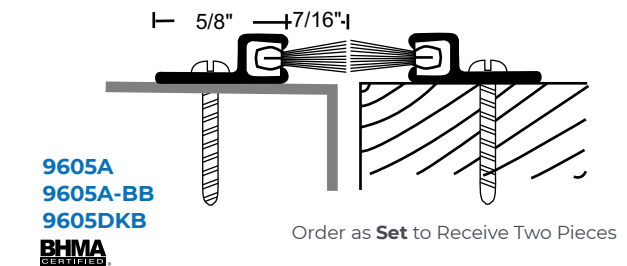
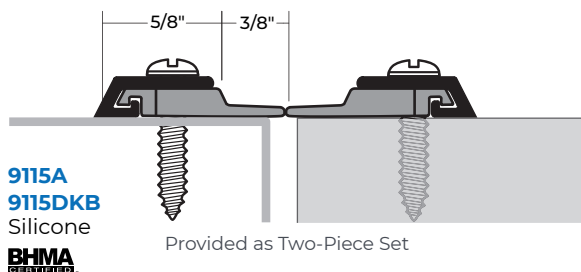
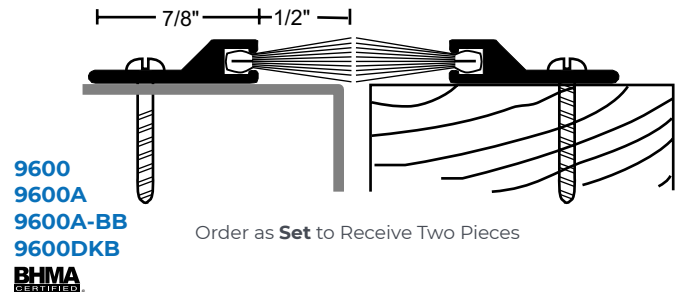
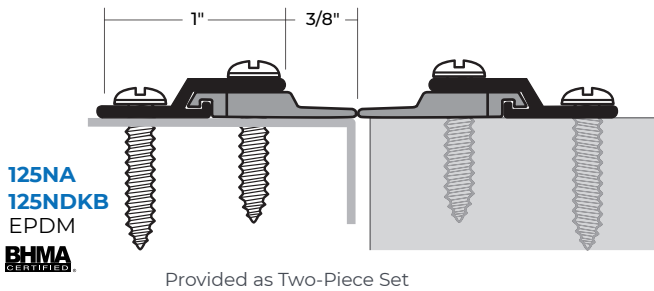
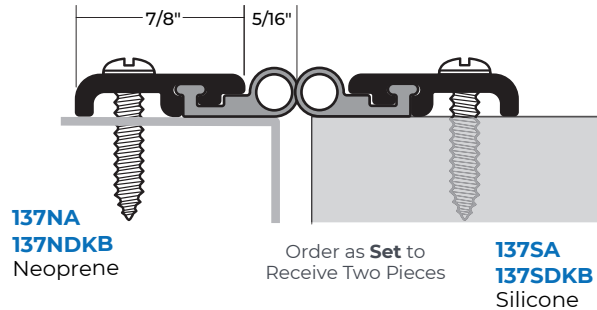
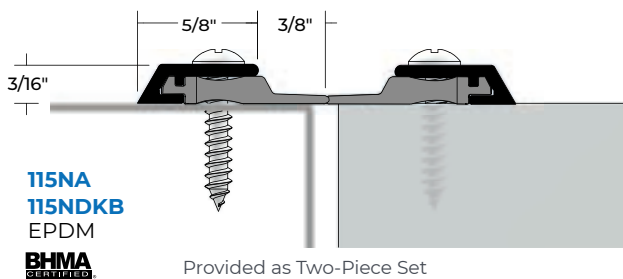
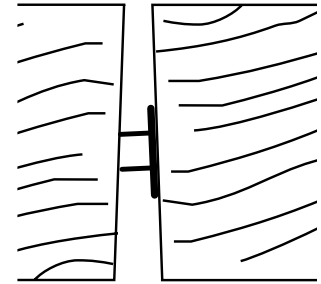


- Fire-Rated Astragal Seals Cannot Replace any Astragal Required on the Door by the Door Manufacturer to Maintain its Fire Label. IBC, NFPA 80, NFPA105, and NFPA 252 Require the Gap at the Meeting Edge Between Fire Labeled Doors Must Not Exceed 1/8"
- #6 x 3/4" Stainless Steel Sheet Metal Screws Furnished
- Screw Holes Slotted for Adjustment

METAL	EPDM	NEOPRENE	SILICONE	NYLON+
<b>A</b> - Anodized Aluminum	Black	Black	Black	Gray
<b>DKB</b> - Dark Bronze / Black Anodized	Black	Black	Black	Black
<b>No Suffix</b> - Mill Aluminum	Black	Black	Black	Gray

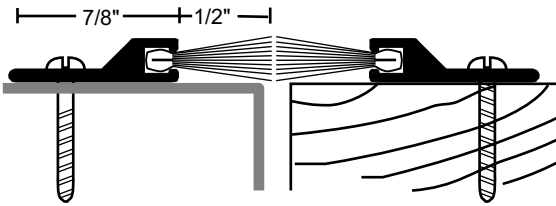
**-BB = Black Brush**

- 5070B** Brown Self-Adhesive Silicone
- 5070CL** Clear Self-Adhesive Silicone



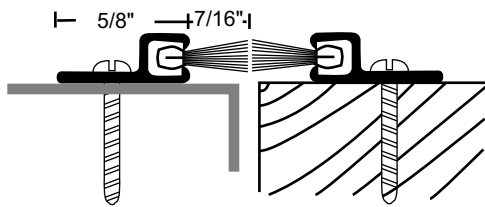
# SURFACE MOUNTED ASTRAGAL SETS

- ▶ #6 x 3/4" Stainless Steel SMS Furnished
- ▶ Screw Holes are Slotted for Adjustment



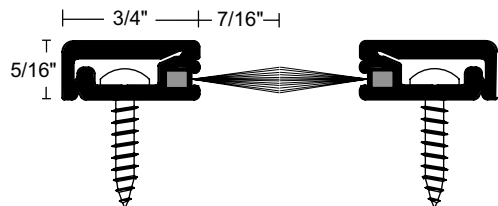
PRODUCT#	INSERT	FINISH
<b>600</b>	Gray Nylon Brush	Mill Al
<b>600-BB</b>	Black Nylon Brush	Mill Al
<b>600A</b>	Gray Nylon Brush	Anodized Al
<b>600A-BB</b>	Black Brush	Anodized Al
<b>600DKB</b>	Black Nylon Brush	Dark Bronze / Black Anodized

Order as **Set** to Receive Two Pieces



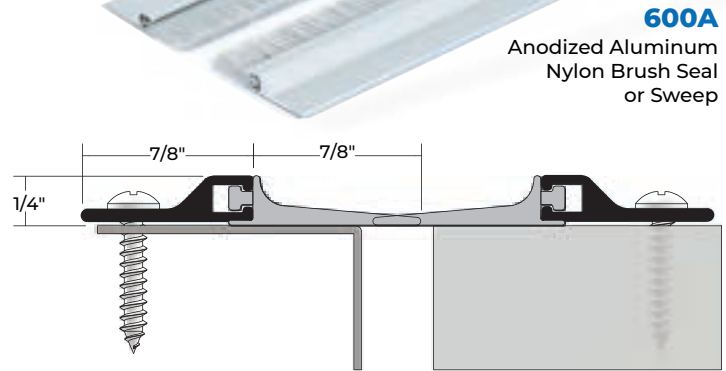
PRODUCT#	INSERT	FINISH
<b>A605A</b>	Gray Nylon Brush	Anodized Al
<b>A605A-BB</b>	Black Nylon Brush	Anodized Al
<b>A605DKB</b>	Black Nylon Brush	Dark Bronze / Black Anodized

Order as **Set** to Receive Two Pieces



PRODUCT#	INSERT	FINISH
<b>672A</b>	Gray Nylon Brush	Anodized Al
<b>672A-BB</b>	Black Brush	Anodized Al
<b>672DKB</b>	Black Nylon Brush	Dark Bronze / Black Anodized

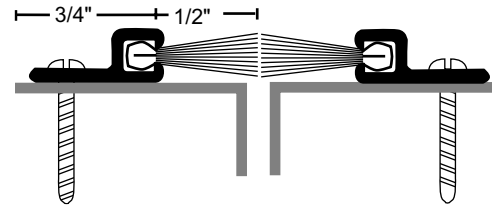
Order as **Set** to Receive Two Pieces



**600A**  
Anodized Aluminum  
Nylon Brush Seal  
or Sweep

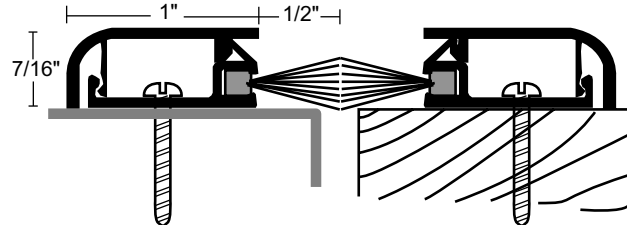
PRODUCT#	INSERT	FINISH
<b>97V</b>	Black Vinyl	Mill Al
<b>97VA</b>	Black Vinyl	Anodized Al
<b>97VDKB</b>	Black Vinyl	Dark Bronze / Black Anodized

Order as **Set** to Receive Two Pieces



PRODUCT#	INSERT	FINISH
<b>B606A</b>	Gray Nylon Brush	Anodized Al
<b>B606A-BB</b>	Black Nylon Brush	Anodized Al
<b>B606DKB</b>	Black Nylon Brush	Dark Bronze / Black Anodized

Order as **Set** to Receive Two Pieces



PRODUCT#	INSERT	FINISH
<b>675A</b>	Gray Nylon Brush	Anodized Al
<b>675A-BB</b>	Black Brush	Anodized Al
<b>675DKB</b>	Black Nylon Brush	Dark Bronze / Black Anodized

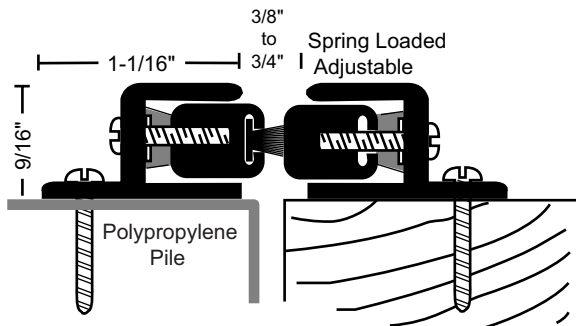
Order as **Set** to Receive Two Pieces

# SPRING ADJUSTABLE ASTRAGAL SETS

- Adjustment Screws on 10" Centers Allow Adjustment of the Seal Without Re-Positioning Mounting Location
- Spring-Loaded to Maintain Constant Pressure for the Most Effective Seal



**140PA**  
Anodized Aluminum  
Spring Loaded Pile  
Astragal

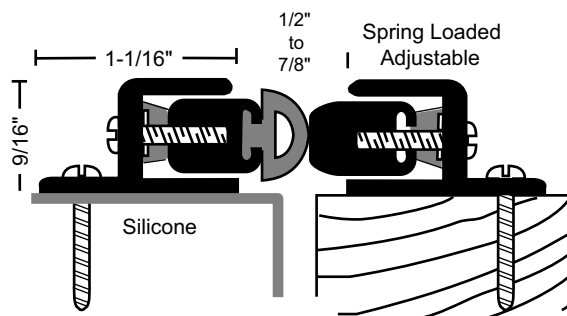


**140PA**  
**140PDKB**  
Pile is Gray

Provided as Two-Piece Set

PRODUCT# SUFFIX	FINISH
<b>A</b>	Anodized Aluminum
<b>DKB</b>	Dark Bronze / Black Anodized
<b>None</b>	Mill Aluminum

*Pile is Gray  
Silicone is Black*



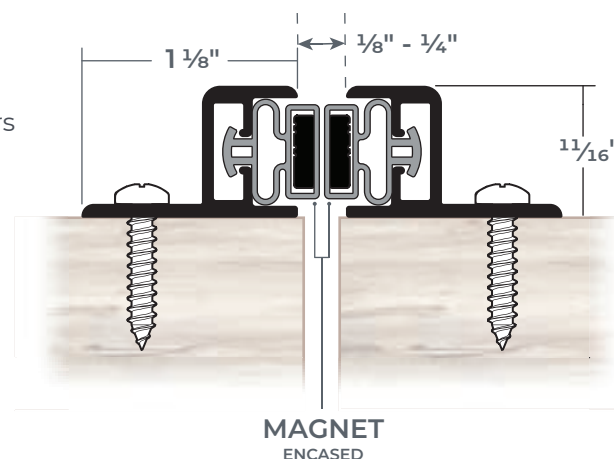
**140SA**  
**140SDKB**  
Silicone is Black



Provided as Two-Piece Set

# MAGNETIC ASTRAGAL SETS

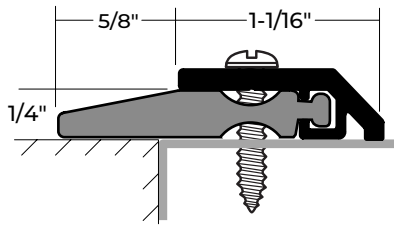
- #6 x 3/4" Stainless Steel SMS Furnished
- Screw Holes are Slotted for Adjustment
- Maximum Length 120"
- Not Recommended for Use on Metal Doors



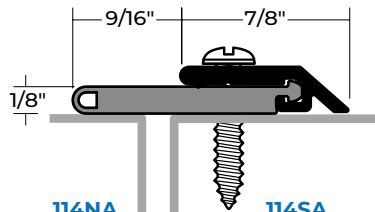
**149MA**  
**149MDKB**

Provided as Two-Piece Set  
Magnet Encased in Black Vinyl

# OVERLAPPING ASTRAGALS



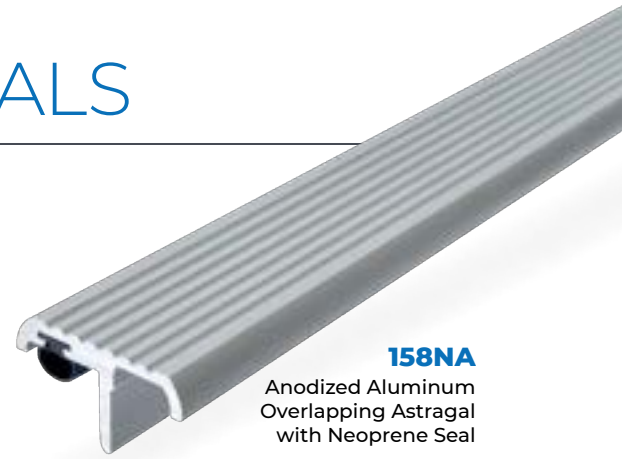
**109NA**  
**109NDKB**  
Neoprene  
#6 x 1" & #6 x 3/4"  
Stainless Steel  
SMS Furnished



**114NA**  
**114NDKB**  
Neoprene



**114SA**  
**114SDKB**  
Silicone



**158NA**  
Anodized Aluminum  
Overlapping Astragal  
with Neoprene Seal

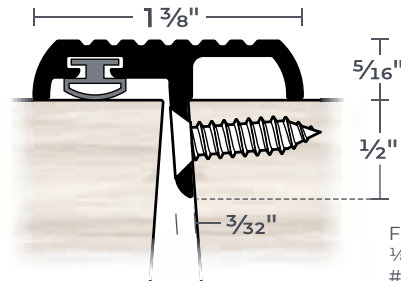
PRODUCT#	SUFFIX	FINISH
	<b>A</b>	Anodized Aluminum
	<b>DKB</b>	Dark Bronze / Black Anodized
	<b>None</b>	Mill Aluminum

*Pile is Gray  
Vinyl, Neoprene and  
Silicone are Black*

**158VA**  
**158VDKB**  
Vinyl



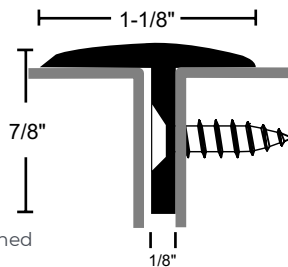
**158NA**  
**158NDKB**  
Neoprene



Maximum  
Height 120"

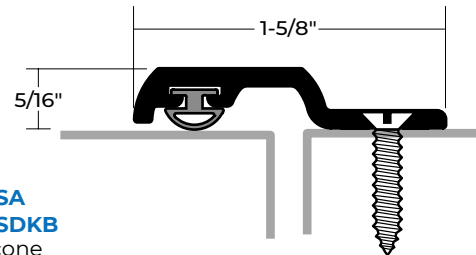
Fits Beveled Edge Doors with  
1/8" Clearance Between Doors.  
#10 X 3/4" FH U/C SMS Furnished

**158SA**  
**158SDKB**  
Silicone



**176A**  
**176DKB**

Maximum Height 120"  
Fits Square Edge Doors  
#10 X 3/4" FH U/C SMS Furnished



**178SA**  
**178SDKB**  
Silicone



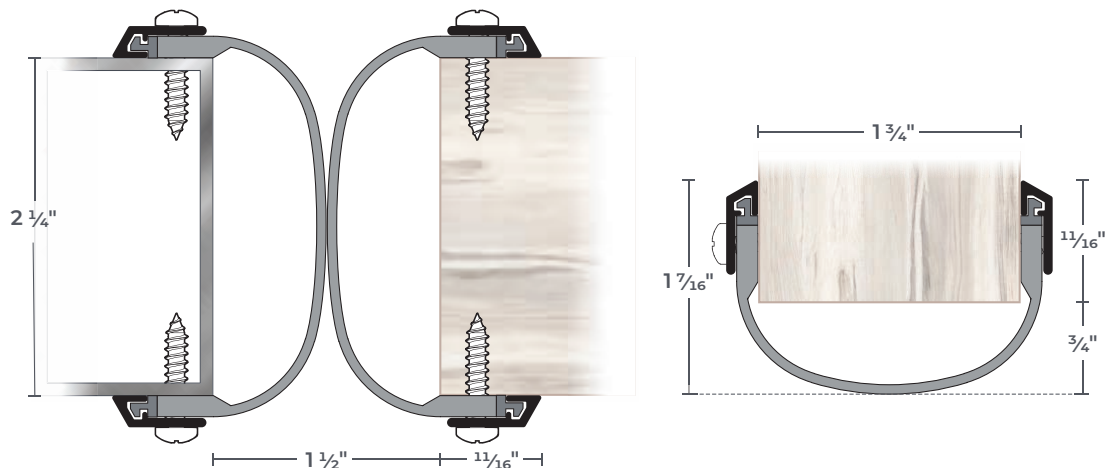
Maximum Height 120"  
#10 X 3/4" FH U/C SMS Furnished

# SPECIALTY ASTRAGAL

For 1 3/4" Doors:  
**14RA-1 3/4"**  
**14RDKB-1 3/4"**

For 2 1/4" Doors:  
**14RA-2 1/4"**  
**14RDKB-2 1/4"**

Rubber is Black  
Order as Set to  
Receive Two Pieces



# SOLID METAL ASTRAGALS

- ▶ 1/16" Thick Lead Insert Available – Specify "Lead-Lined"
- ▶ Available with SNB, Specify

## 139SP Steel Prime Coat

## 139SPDKB Steel Dark Bronze



Furnished with #12 x 1 1/4" SMS.  
Can Replace Astragal Required by the Door Manufacturer on Wood or Metal Fire-Rated Doors. IBC, NFPA80, NFPA 252 Require the Gap at the Meeting Edge Between Fire Labeled Doors Must Not Exceed 1/8". Astragal Must Overlap Gap and Inactive Door Minimum of 3/4".

## 139A Anodized Aluminum

## 139DKB Aluminum Dark Bronze / Black Anodized

#10 x 3/4" SMS Furnished

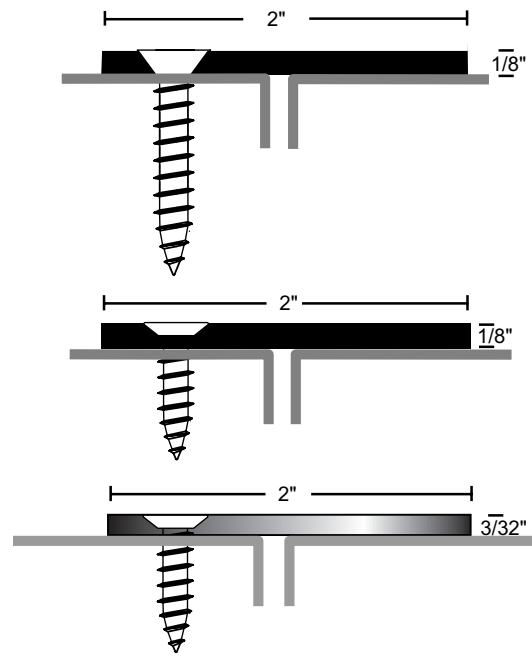
## 139SS Stainless Steel

Type 304 Brushed #4 Finish (US32D, 630)

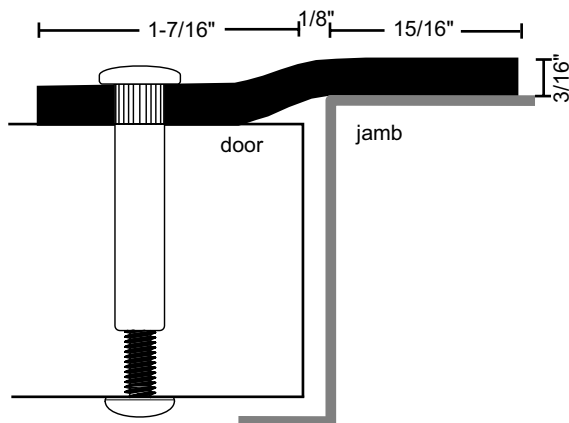
#10 x 3/4" SMS Furnished



**139SP**  
Steel Astragal



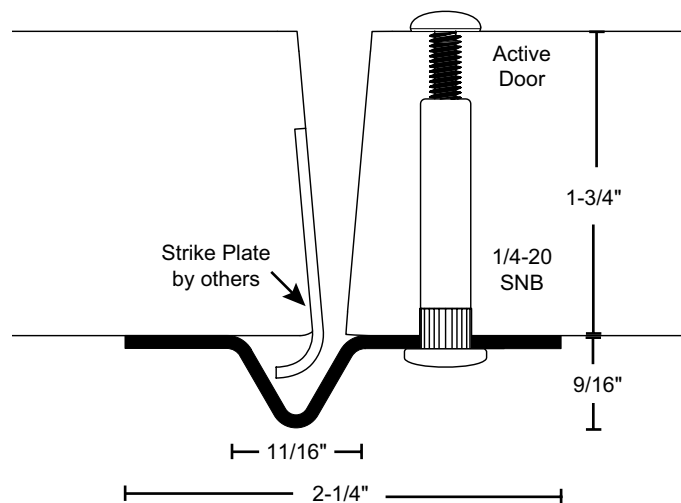
# STEEL SECURITY ASTRAGALS



## 1392SP Steel Prime Coat



Maximum Height 120"  
#1/4-20 SNB's Furnished



## 1390SP-83-1/8" 14 Ga. Galvaneal Steel

No Notching or Field Cutting  
Needed for Curved Lip Strikes

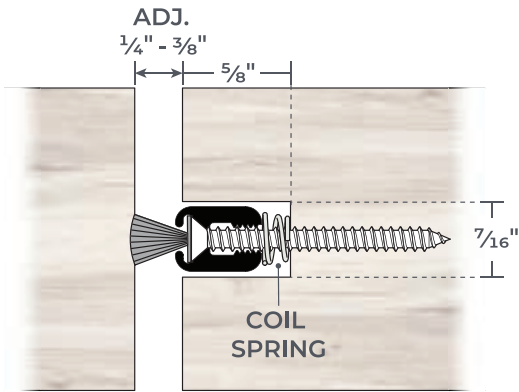
## 1390SP-95-1/8" Prime Coat



# MORTISED ASTRAGALS

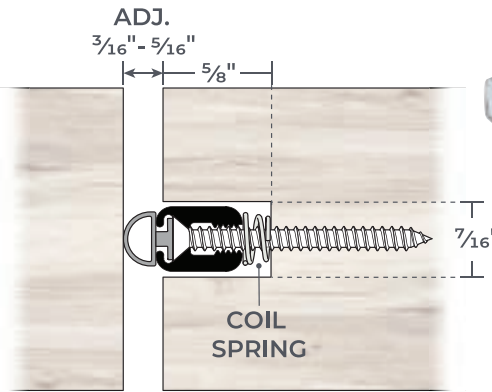


**143PA**  
Anodized Aluminum  
Mortised Astragal with  
Pile Seal



**143PA**  
**143PDKB**  
Polypropylene Pile

#6 SMS Furnished



**143NA**  
**143NDKB**  
Neoprene



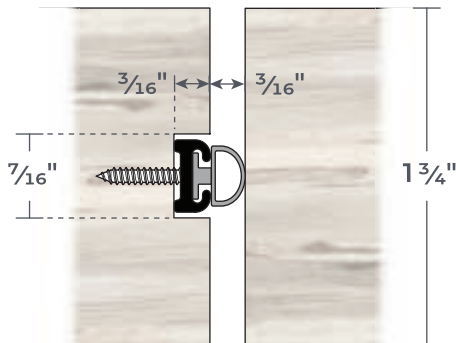
**143SA**  
**143SDKB**  
Silicone



#6 SMS Furnished

PRODUCT# SUFFIX	FINISH
<b>A</b>	Anodized Aluminum
<b>DKB</b>	Dark Bronze / Black Anodized
<b>None</b>	Mill Aluminum

*Nylon Brush\* and Pile are Gray  
Vinyl, Neoprene and Silicone are Black  
-BB = Black Brush*



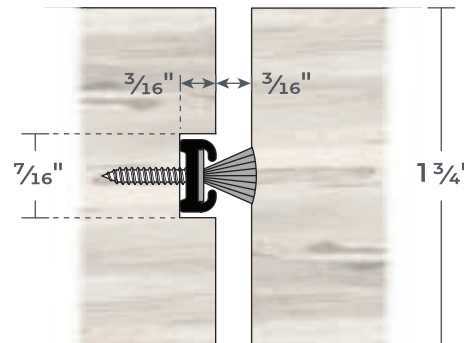
**136N**  
**136NDKB**  
Neoprene



**136S**  
**136SDKB**  
Silicone

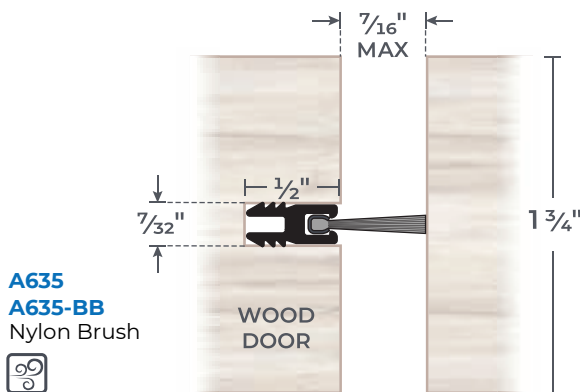


Mortise Dimensions 7/16" Wide x Desired Depth. #2 SMS Furnished



**136P**  
**136PDKB**  
Polypropylene Pile

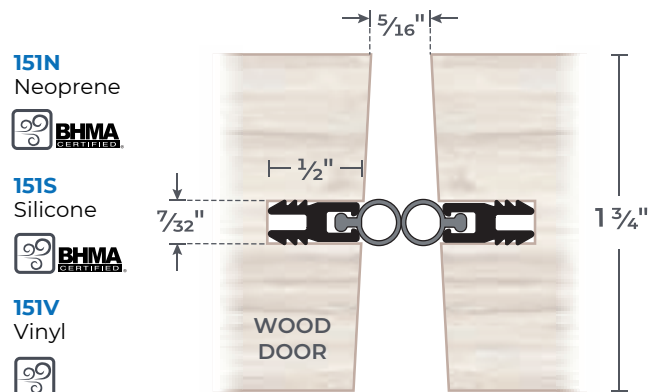
Mortise Dimensions 7/16" Wide x Desired Depth. #2 SMS Furnished



**A635**  
**A635-BB**  
Nylon Brush



Order as **Set** to Receive Two Pieces  
Maximum Length 108"



**151N**  
Neoprene



**151S**  
Silicone



**151V**  
Vinyl

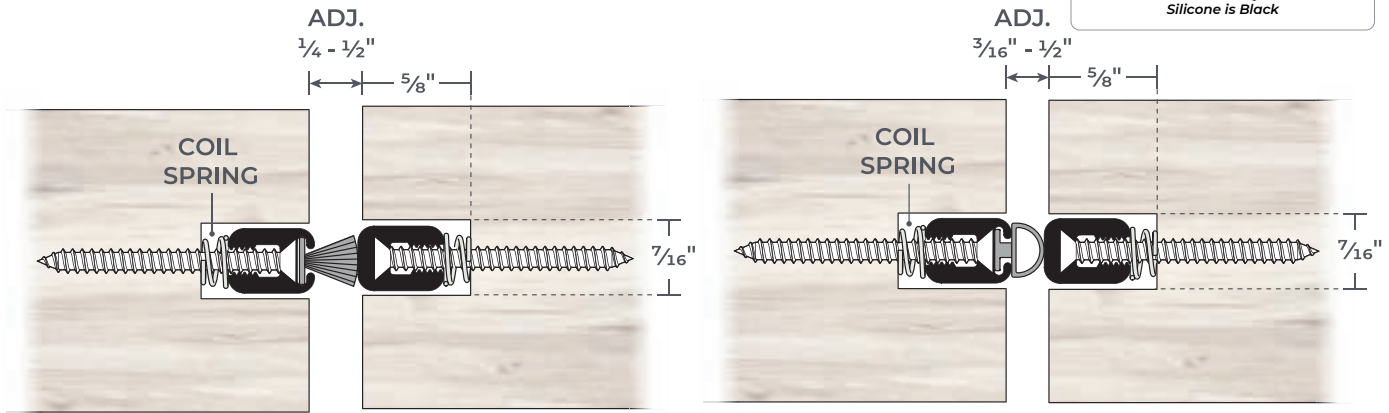


Mortise Dimensions 7/32" Wide x 1/2" High  
Order as **Set** to Receive Two Pieces  
Maximum Length 108"

# SPRING ADJUSTABLE MORTISED ASTRAGALS

- Adjustment Screws on 10" Centers Allow Adjustment of the Seal Without Repositioning Mounting Location
- Spring-Loaded to Maintain Constant Pressure for the Most Effective Seal

PRODUCT#	SUFFIX	FINISH
	<b>A</b>	Anodized Aluminum
	<b>DKB</b>	Dark Bronze / Black Anodized
<i>Pile is Gray Silicone is Black</i>		



**144PA**  
**144PDKB**  
Polypropylene Pile

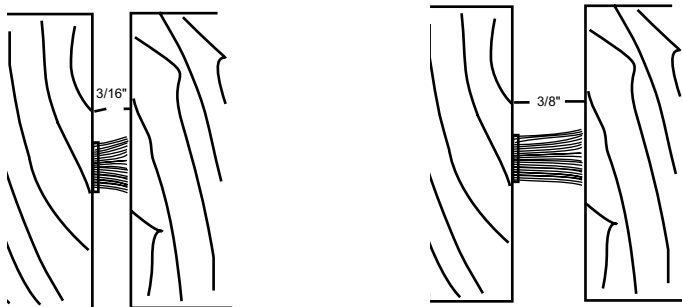
Mortise Dimensions  $\frac{7}{16}$ " Wide x  $\frac{7}{8}$ "  
#8 x  $\frac{3}{4}$ " SMS Furnished  
Provided as Two-Piece Set

**144SA**  
**144SDKB**  
Silicone

Mortise Dimensions  $\frac{7}{16}$ " Wide x  $\frac{7}{8}$ "  
#8 x  $\frac{3}{4}$ " SMS Furnished  
Provided as Two-Piece Set



# SELF-ADHESIVE PILE ASTRAGALS

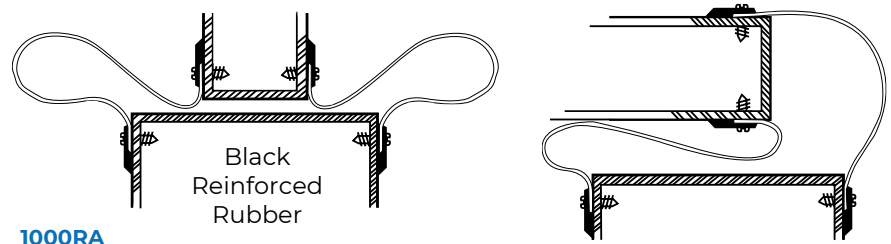


**340P**  
Gray Polypropylene Pile

**336P**  
Gray Polypropylene Pile

# SAFETY SEAL FOR DOUBLE-ACTING DOORS

- Seals and Closes Gap at Heel of Double-Acting or Center Pivoted Doors
- #6 x  $\frac{3}{4}$ " Stainless Steel Sheet Metal Screws Furnished



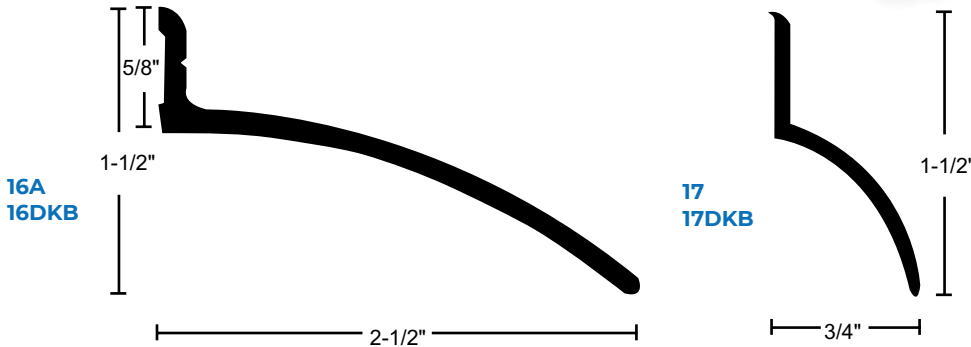
**1000RA**  
**1000RDKB**

5", 10" or 16" Overall Widths Available - Specify  
Order as Set to Receive Two Pieces

# GUARDS / SEALS

## RAIN DRIP GUARDS

- ▶ #6 x 3/4" Stainless Steel SMS Furnished

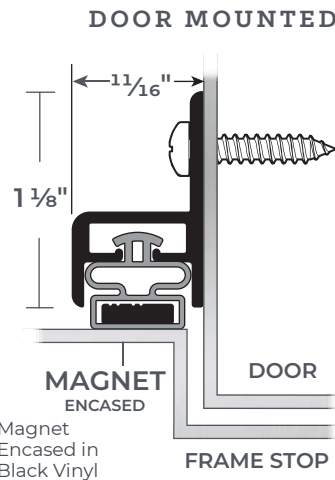
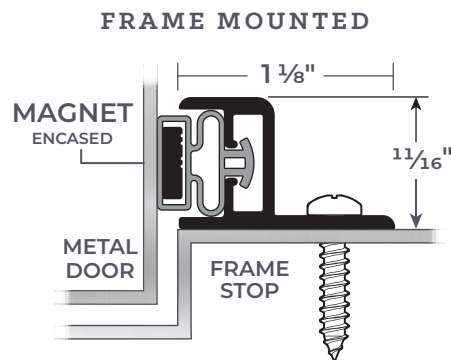


**16A**  
Anodized Aluminum  
Drip Strip

PRODUCT# SUFFIX	FINISH
<b>A</b>	Anodized Aluminum
<b>DKB</b>	Dark Bronze / Black Anodized
<b>None</b>	Mill Aluminum

## MAGNETIC SEALS

- ▶ #6 x 3/4" Stainless Steel SMS Furnished
- ▶ Screw Holes Slotted for Adjustment
- ▶ Maximum Length 120"



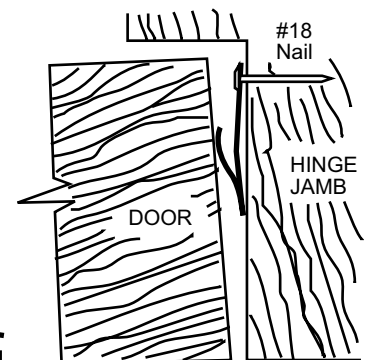
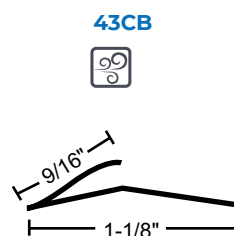
**159MA**  
Anodized Aluminum  
Magnetic Seal

**159MA**  
**159MDKB**



## CUSHION BRONZE WEATHERSTRIP

- ▶ Cushion Material Will Not Coil. Specify Lengths Required (36", 48", 72" 86", And 96".) Nails Not Included
- ▶ Normal Installation Requires 3/4 lb. of Nails Per 100 ft. of Weatherstrip; Install 2" O.C. Zinc Plated Bronze Finish Nails Available in 1 lb. Bags
- ▶ Wafer Head Pilot Point Drive Nails Make Excellent Applications for Metal Jambs, Normal Installation Requires 6 Per Foot
- ▶ Install Using #41 Drill Bit. Available with Fast Attach Tape - Specify X "FATT"



**43CB**

# GASKETING FASTENERS



#2 x 1/2" FH  
Phillips SMS



#4 x 5/8" TH  
Phillips SMS  
Use 5/64" Drill



#6 x 1/2" FH  
Phillips SMS  
Use 7/64" Drill



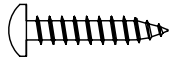
Phillips Head  
Top View



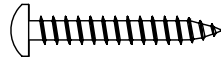
Spanner Head  
Top View



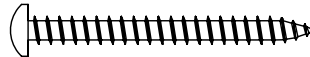
Torx Security  
Top View



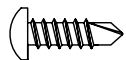
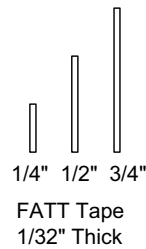
#6 x 3/4" PH  
Phillips SMS  
Use 7/64" Drill



#6 x 1" PH  
Phillips SMS  
Use 7/64" Drill



#6 x 1 1/2" PH  
Phillips SMS  
Use 7/64" Drill



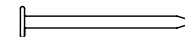
#6 x 1/2"  
Phillips  
TEK Screw



#6 x 3/4"  
Phillips  
TEK Screw



#6 x 1"  
Phillips  
TEK Screw



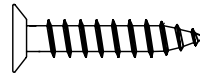
#18 x 7/8" Nail for  
Spring/Cushion  
Bronze Weather Strip  
on Wood Jamb



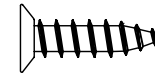
#8 x 3/4" PH  
Phillips SMS  
Use 9/64" Drill



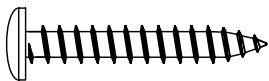
#8 x 3/4"  
Phillips  
TEK Screw



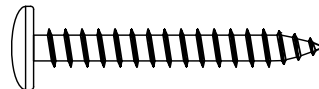
#8 x 1" FH  
Phillips U/C SMS  
Use 9/64" Drill



#10 x 3/4" FH  
Phillips U/C SMS  
Use 11/64" Drill



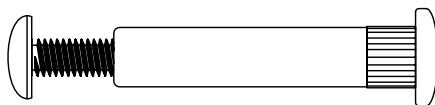
#8 x 1 1/4" TH  
Phillips SMS  
Use 9/64" Drill



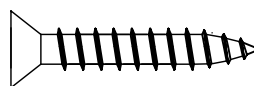
#10 x 1 1/2" TH  
Phillips SMS  
Use 11/64" Drill



#4 Wafer Head Drive Nail  
for Spring/Cushion  
Bronze Weather Strip  
on Metal Jamb  
Use #41 Drill Bit for Pilot Hole



#1/4 - 20 Phillips SNB



#12 x 1 1/4" FH  
Phillips SMS

PH = Pan Head  
FH = Flat Head  
TH = Truss Head  
MS = Machine Screw  
SMS = Sheet Metal Screw  
SNB = Sex Nut & Bolt  
U/C = Undercut

# NOTES

---

# NOTES

---



For the most up-to-date  
Gasketing  
Catalog scan the QR code  
or visit [ngp.com](http://ngp.com).



**[ngp.com](http://ngp.com)**  
**1-800-NGP-RUSH**

FAX: (800) 255-7874  
QUOTES: [quotes@ngp.com](mailto:quotes@ngp.com)  
ORDERS: [orders@ngp.com](mailto:orders@ngp.com)

**NGP MEMPHIS**  
4985 East Raines Road  
Memphis, TN 38118

**CARSON CITY**  
3689 Arrowhead Drive  
Carson City, NV 89706