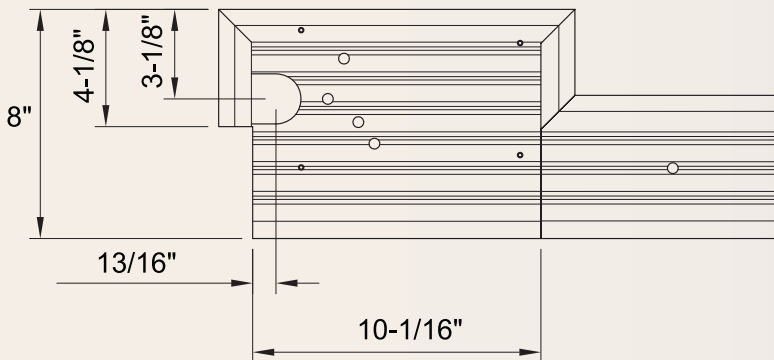




NATIONAL GUARD
PRODUCTS

CUSTOM FABRICATED THRESHOLDS AND FLOOR CLOSER COVERS

Welded Assemblies, Bulkhead Covers and Floor Closer Covers are Available for Special Applications.



Welded Assemblies

- Various widths available
- Aluminum, Architectural Bronze, or Stainless Steel

Bulkhead Covers

- Break Pressed Aluminum or Stainless Steel
- Welded Aluminum Bulkhead Assemblies

Floor Closer Covers

- Type 1 or 4 for center hung applications
- Type 3 or 5 for offset hung applications
- Aluminum, Architectural Bronze, or Stainless Steel

Custom notching and drilling available
Detailed drawings provided
Contact us for a quote and lead time