



# GAP90™ AND GAP90DKB™

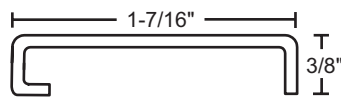
Fire Door Head/Jamb Gap Solutions — Up To 90 Minutes

## PRODUCT INFORMATION

**UL Certified for Head/Jamb Gaps**  
— Measuring over 1/8", and up to 5/16".

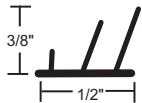
**GAP90™ INCLUDES:** 9945, 9400, 5075CL

**GAP90DKB™ INCLUDES:** 9945, 9400DKB, 5075B



### 9945 Steel Stop Extender

- ▶ 16-Gauge, Gray Primer Finish
- ▶ Furnished with #10 X 1" TEK SMS
- ▶ Patent No.: US9,273,510B2



### 5075 Self-Adhesive TPE Seal

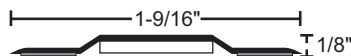


**BHMA**  
CERTIFIED

5075B BROWN

5075CL CLEAR\*

\*Anti-Microbial not available in clear



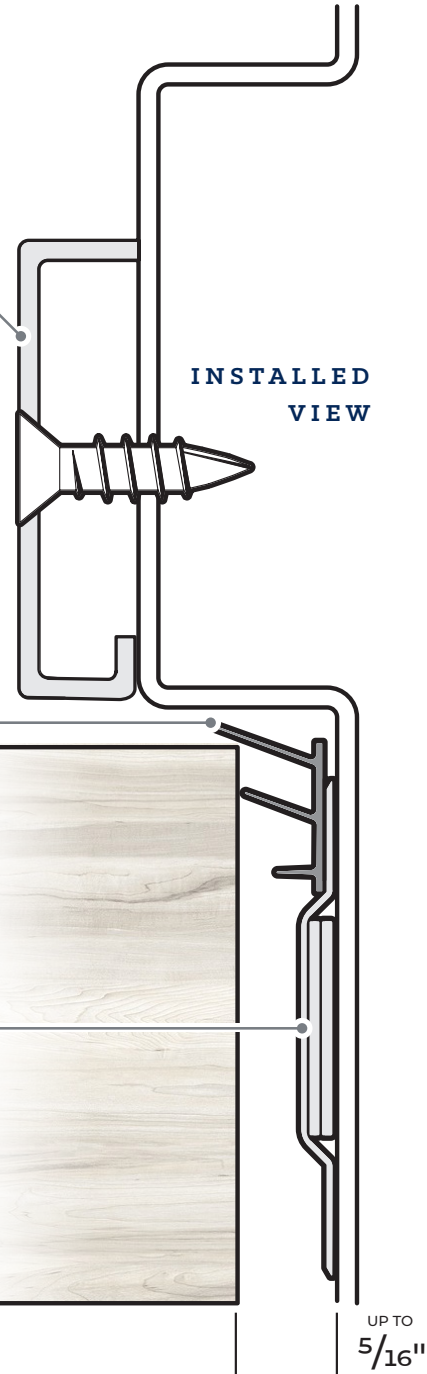
Anti-Microbial

### 9400 NGP-Edge® Intumescent Seal with PVC Cover

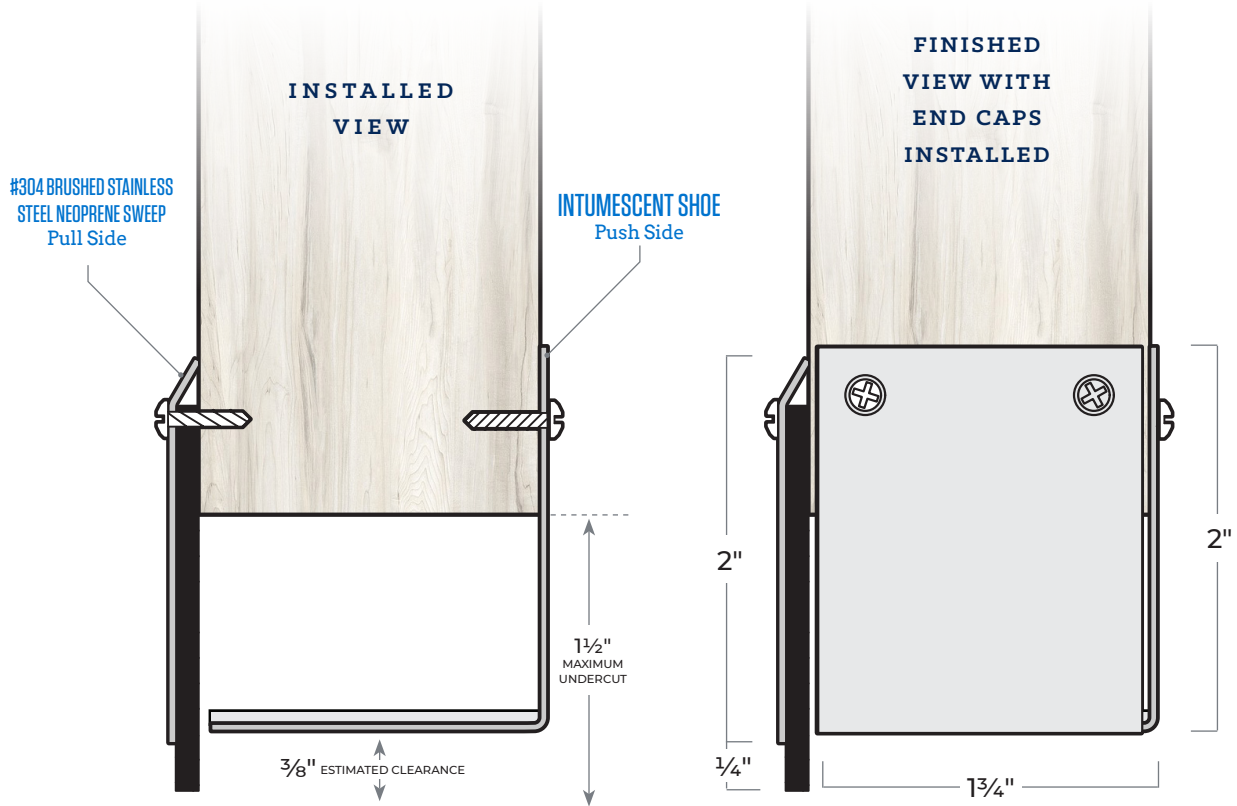
- ▶ Self-Adhesive

9400 GRAY

9400DKB BROWN



Available in 36", 48", 84" and 96"



# 9590™

Fire Door Bottom Gap Solution — Up To 90 Minutes

## PRODUCT INFORMATION

### UL Certified for Door Bottom Gaps — Measuring up to 1 1/2".

- ▶ Restricts the Passage of Smoke
- ▶ 90-Minute Rated — for use on UL10B and UL10C Wood or Hollow Metal Fire Doors
- ▶ Patent Pending
- ▶ Available in 36" and 48" Lengths
- ▶ Non-Handed

### PRODUCT CONSISTS OF:

- + #304 Brushed Stainless Steel Neoprene Sweep - Pull Side
- + #304 Brushed Stainless Steel Intumescent Shoe — Push Side
- + #304 Brushed Stainless Steel End Caps
- + #6 x 3/4" Stainless Steel SMS Furnished

*Brushed stainless steel  
Neoprene is black*

NGP-FDA-GAP-PRI-0919-A



### NATIONAL GUARD PRODUCTS, INC.

4985 East Raines Road  
Memphis, TN 38118

Phone: (800) 647-7874  
Fax: (800) 255-7874

[ngp.com](http://ngp.com)