



GAP90™ AND GAP90DKB™

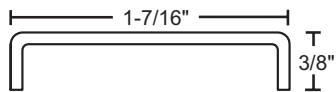
Fire Door Head/Jamb Gap Solutions — Up To 90 Minutes

PRODUCT INFORMATION

UL Certified for Head/Jamb Gaps
— Measuring over 1/8", and up to 5/16".

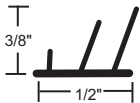
GAP90™ INCLUDES: 9945, 9400, 5075CL

GAP90DKB™ INCLUDES: 9945, 9400DKB, 5075B



9945 Steel Stop Extender

- ▶ 16-Gauge, Gray Primer Finish
- ▶ Furnished with #10 X 1" TEK SMS
- ▶ Patent No.: US9,273,510B2



5075 Self-Adhesive TPE Seal

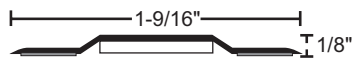


BHMA
CERTIFIED

5075B BROWN

5075CL CLEAR*

*Anti-Microbial not available in clear



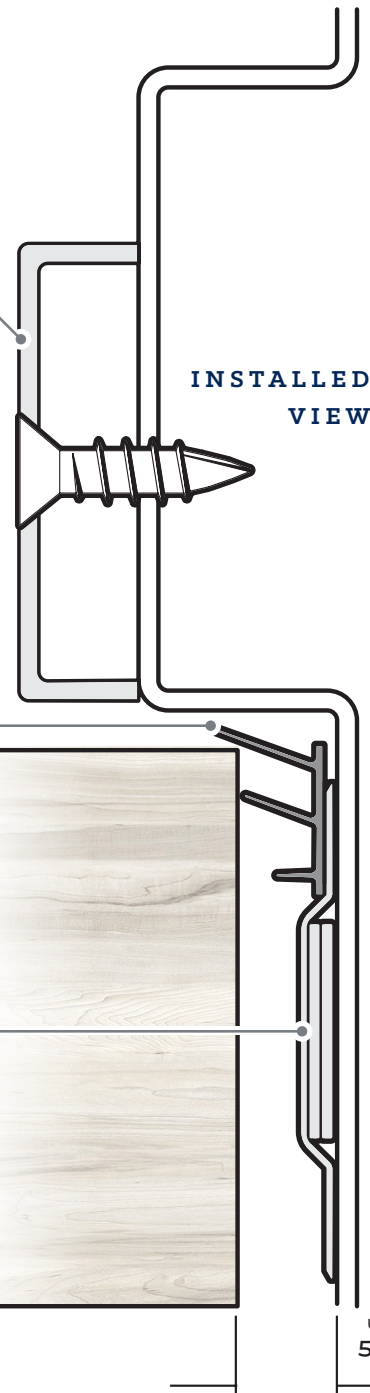
Anti-Microbial

9400 NGP-Edge® Intumescent Seal with PVC Cover

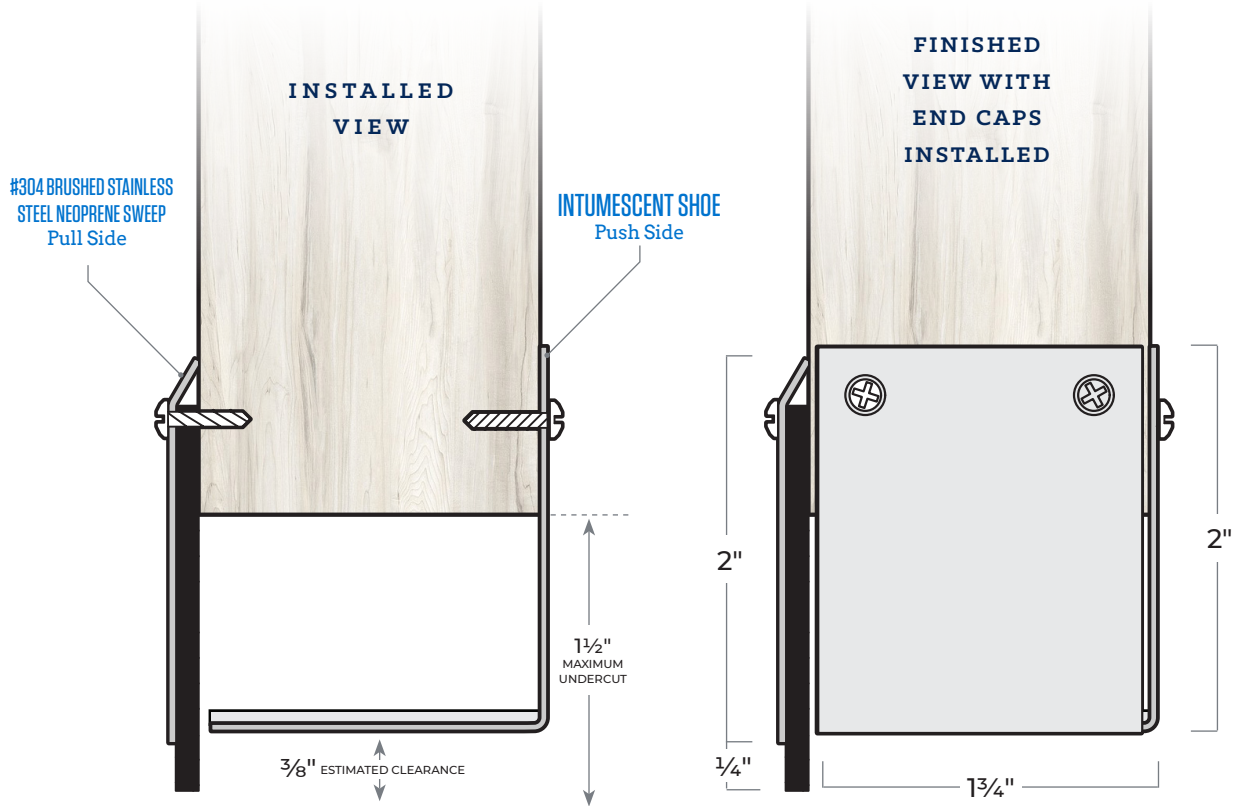
- ▶ Self-Adhesive

9400 GRAY

9400DKB BROWN



Available in 36", 48", 84" and 96"



9590™

Fire Door Bottom Gap Solution — Up To 90 Minutes

PRODUCT INFORMATION

UL Certified for Door Bottom Gaps — Measuring up to 1½".

- ▶ Restricts the Passage of Smoke
- ▶ 90-Minute Rated— for use on UL10B and UL10C Wood or Hollow Metal Fire Doors
- ▶ Patent Pending
- ▶ Available in 36" and 48" Lengths
- ▶ Non-Handed

*Brushed stainless steel
Neoprene is black*

PRODUCT CONSISTS OF:

- + #304 Brushed Stainless Steel Neoprene Sweep - Pull Side
- + #304 Brushed Stainless Steel Intumescent Shoe—Push Side
- + #304 Brushed Stainless Steel End Caps
- + #6 x ¾" Stainless Steel SMS Furnished

NGP-FDA-GAP-PRI-0919-A



NATIONAL GUARD PRODUCTS, INC.

4985 East Raines Road
Memphis, TN 38118

Phone: (800) 647-7874
Fax: (800) 255-7874

ngp.com