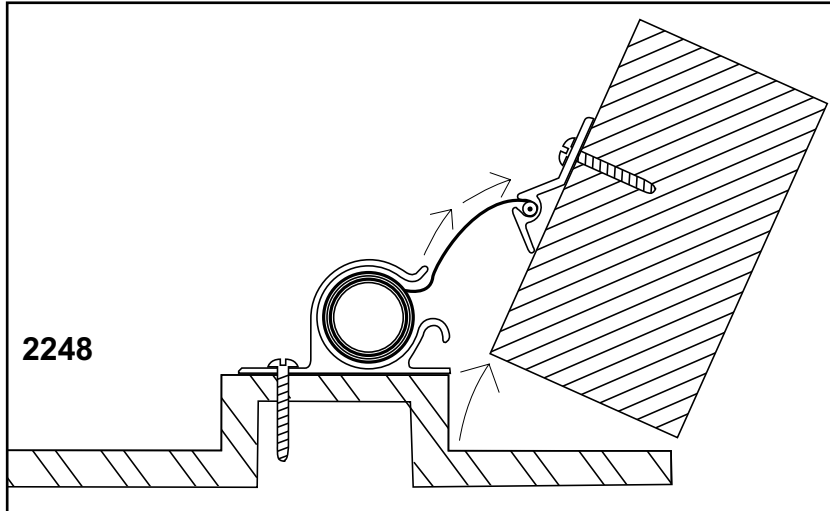


SpecRite

March, 2002

from National Guard Products, Inc.

School Safety: Fingerguard Protects Children



National Guard Products Finger Guard #2248 is designed to help prevent injury to children who may place their fingers behind the hinge edge of a door when it is open and then be injured when the door is closed by another person or a door closer. This unique product features an internal spring mechanism that maintains constant tension against the fabric. This prevents fingers from entering the dangerous area behind the edge of the door. This item is available in full length 76" for most doors and half-length 39" for Dutch door applications. Available in clear anodized alu-

minum with white polyethylene material and dark bronze anodized aluminum with black polyethylene material.

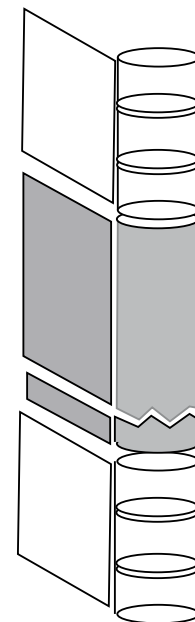
Hinge side Finger Guard #2250 is an aluminum tube that mounts on the edge of the door between the hinges aligning with the hinge barrel. It takes up space so that fingers are not as likely to be able to get in behind it and get pinched on the pull side of the door.

Unlike some other products that have been on the market – this Finger Guard is a quality item that really works! We warranty it for 5 years regardless

of the amount of cycles it performs.

It is UL listed for use on fire doors rated up to 3 hours metal and 1-hour wood.

If you would like to see a sample of this product to review with an Architect on an upcoming project, please fax us a note Attn: Brian or Joshua (Sample Dept.) and tell us if you want the 2248A or 2248-DKB Sample.



Spec Rite is designed as a vehicle to provide information to Architects and Specification Writers to make them better informed and to make their job easier.

Published by National Guard
Products

4985 E. Raines Road
Memphis, TN 38118

Phone: 1-800-647-7874

Fax: 1-800-255-7874

www.ngpinc.com

ASK THE EXPERTS :

Give us a call or drop us an e-mail if you have questions about thresholds, gasketing, lite kits, or louvers. We'd love to solve your problems and share the answers here in the Spec Rite. Better communication and knowledge makes for better projects.

INSTANT SUBMITTALS

Did you know that you can create and print submittals from our website? It's our latest improvement to www.ngpinc.com. Check it out!

OUR SALES REPS

Connecticut, Maine, Massachusetts,
New Hampshire, RI, Vermont

**Security & Safety Consultants of
New England**

PH: 781-449-2860

Delaware, So. New Jersey, So.
Pennsylvania

Mid-Atlantic Agents, Ltd.

PH: (610) 363-7611

New York State,

Dugan Associates

PH: 716-223-4204

NY City metro area & Northern New
Jersey

Paul J. Polke Company

(212) 732-3139(NYC)

(973) 777-7500 (NJ)

(800) 526-1179

Maryland, Virginia, Washington DC

Frazier Commercial Sales

PH: (301) 353-1400

Ohio, West PA, W. Virginia

Barrett Group, Inc.

PH: (513) 779-9350

(800) 735-7923

Alabama, Arkansas, Louisiana,
Mississippi, Tennessee, Panhandle
of Florida

Crenshaw Sales

PH: (901) 878-1239

Chicago, IL

J.A. Waggoner & Associates

PH: (630) 469-8276

Iowa, Eastern Missouri, Southern
Illinois

D.L. Neuner Co., Inc.

PH: (314) 781-6700

Wisconsin

Donald A. Loss & Assoc.

PH: (414) 384-4448

Minnesota, North Dakota, South
Dakota

Combs & Associates, Inc.

PH: (651) 407-9318

Indiana, Michigan, Kentucky, Toledo,
OH

Hardware Agents, LLC

PH: (616) 285-9071

800-875-9586

Georgia, Chattanooga, TN

Phillips- Langley, LLC

PH: (770) 263-6865

N. Carolina, S. Carolina

D.H. Bruch Marketing, Inc.

PH: (704) 588-5214

So. Texas (Except El Paso)

D.L. Collins Associates

PH: 281-373-0494

Austin, San Antonio, Victoria,

Harlingen,

Brownsville,

PH: 512-358-0982

Oklahoma

DL. Collins Associates

PH 405-949-0595

Florida - Daytona Beach/Orlando

Architectural Marketing

Associates

PH: (407) 767-9540

Colorado, Wyoming

R.J. Porter And Associates

PH: (303) 233-0100

Oregon, Washington, Alaska,

Western Idaho

Northwest Hardware

Consultants, Inc.

PH: (425) 402-4242

PORTLAND

**Northwest Hardware
Consultants**

PH: (503) 248-4040

Kansas, Nebraska, West Missouri

Patterson Sales

PH: (816) 221-3322

North Texas

D.L. Collins Associates

PH: 817-461-1055

International Representative

Donald Tucker

(PO Box 4470, 93007)

PH: (805) 659-1232

Northern California, Northern Nevada

R.P. Boxman & Associates

PH: (925) 846-5960

So. California, So. Nevada, Hawaii
Arizona

Brownell & Associates

Ph: (714) 544-8003

Canadian Distribution

K.M. Thomas Company

PH: (416) 798-0611

PH: 403-243-3422

Utah, E. Idaho, Montana, W.

Wyoming

IR Security & Safety Consultants

Mountain States

PH: 801-401-5400

New Mexico

Security Hardware, Inc.

PH: 602-494-3235