

## L-CVFM-SS

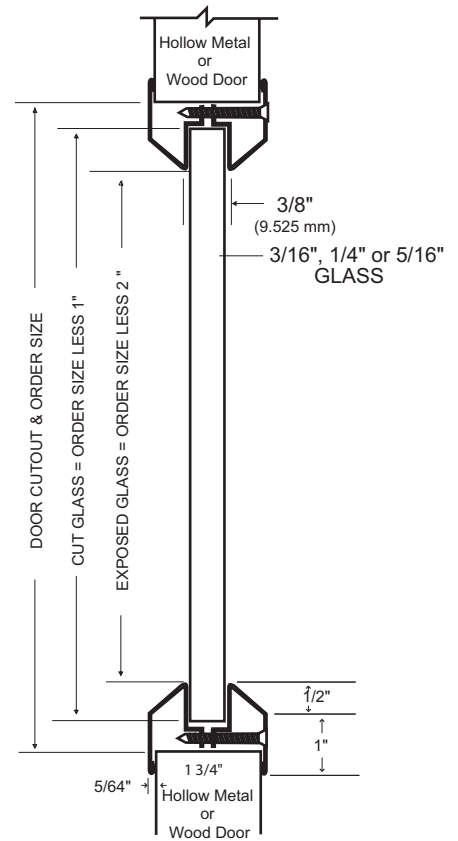
### Stainless Steel Lite Kit

#### STANDARD FEATURES

- \* 20 ga. Type 304 stainless steel
- \* Mitered and welded corners
- \* For 1-3/4" door; accepts 3/16", 1/4" or 5/16" glass
- \* Countersunk mounting screw-holes
- \* #8 x 1 3/4" Phillips head SMS
- \* Standard finish - #4 satin

#### FACTORY OPTIONS

- \* Torx Security Screws
- \* See Page L2 for optional finishes
- \* Glass & Glazing tape (Pages L23-L27)



not to scale

## L-VGLF-PZ (9" X 9")

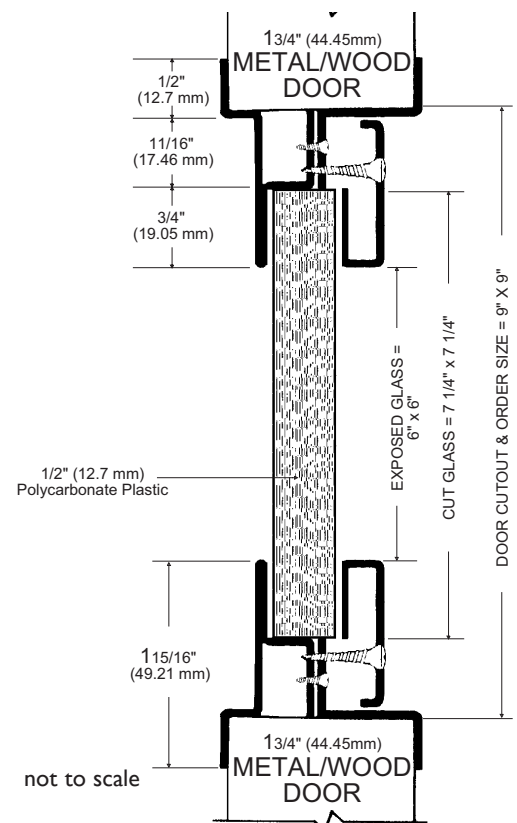
### Security Lite Kit

#### STANDARD FEATURES

- \* 18 ga. cold rolled steel
- \* Mitered and welded corners
- \* For 1-3/4" hollow metal/wood doors
- \* 1/2" thick high impact polycarbonate plastic
- \* No exposed fasteners on outside of door
- \* Low-profile frame
- \* 6" x 6" exposed glass size
- \* 2.8 oz. Silicone sealant included
- \* Standard finish = (GPZ) Gray Primer

#### OPTIONAL FEATURES

- \* Torx security screws
- \* See page L2 for optional finishes
- \* Zinc electro-plating



not to scale