

SpecRite

June, 2004

from National Guard Products, Inc.

ADVANTAGES OF ANODIZED FINISH VS. MILL FINISH

Gasketing products with aluminum retainers are available in dark bronze anodized, gold anodized and in either clear anodized finish or mill finish. NGP recommends and offers clear anodized finish rather than mill finish on our Gasketing products because of the superior appearance and durability of the finish to stand up to cleaning agents and weather.

According to Aluminum finishing companies the properties that make an Anodized finish superior are:

- * Finish cannot peel off - the coating is actually part of the metal.
- * Gives a deeper, richer metallic appearance and uniformity of finish
- * Unaffected by Sunlight including ultraviolet light

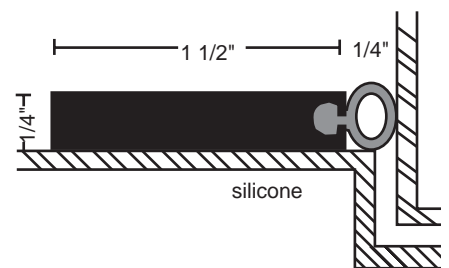
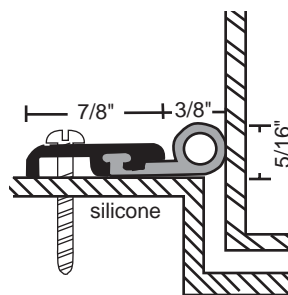
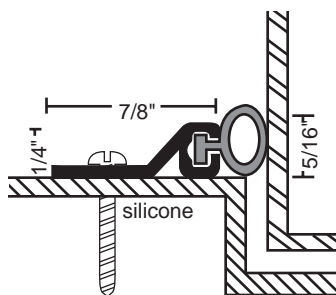
* Hard abrasion resistant finish remains durable with use and cleaning

Architects prefer the appearance of clear anodized aluminum products, which more closely match dull chrome or dull stainless finishes provided on other specified hardware items.

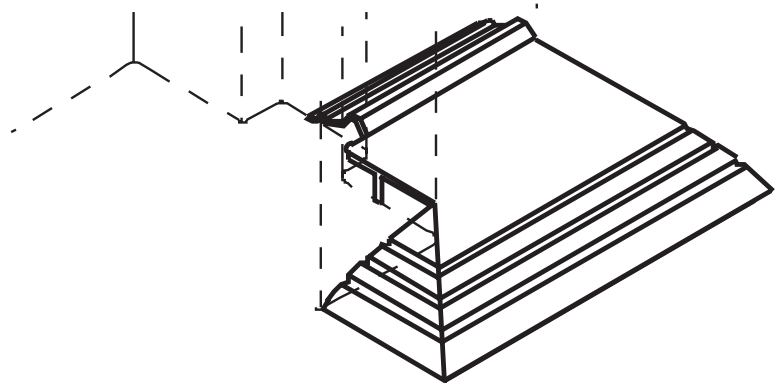
Mill finish extruded aluminum products are generally shiny in appearance and will have mill marks or lines from the extrusion process. Since "mill" finish is the final finish, these marks and lines remain on the product and are evident after installation on the project.

Mill finish products are much more easily scratched and nicked during manufacturing and installation. Often the metal is discolored and the appearance distorted near any cuts or fastener holes that have been punched. These blemishes also remain apparent on the final installed product.

For the best finish specify clear anodized finish on Gasketing products with aluminum retainers. NGP uses the suffix 'A' to our product numbers for our anodized finish. When comparing to determine if other manufacturers products have a clear anodized finish, please check their catalog for the appropriate finish suffix, as it varies by manufacturer and may be indicated by 'AA, C, or X'.



Returned Closed Ends (RCE's) For Thresholds



RCE's on thresholds provide a clean, fitted and finished appearance to the sill of the door opening.

Standard Thresholds are simply cut-off leaving the portion extending outside of the frame with a rough cut-away end view and open area underneath where dirt may accumulate.

RCE's utilize a 45-degree miter cut on the threshold and a closed end welded on which returns to the

doorframe for a professionally finished look.

RCE's are available on most beveled edge thresholds. The return closed end is furnished long (about $\frac{1}{2}$ the threshold width) for field trimming to the desired fit.

Thresholds are typically installed with a bevel edge outside of the doorframe so that the door is located above the flat portion of the threshold. Another available option when using RCE's on a flat

saddle type threshold is to order a Threshold 2" to 3" wider than the jamb depth of the doorframe and to specify "RCE's on both sides" of each end of the Threshold. This dresses up the finished look of all four corners of the sill at the door opening.

To Specify or Order simply designate "RCE" or "RCE both sides" after the Threshold model number.



Written by Roger Skold, AHC is technical director at NGP. He's had 22 years as a distributor, served in all offices of the Great Lakes Chapter of DHI for a total of 9 years, and currently instructs Advanced Architectural Hardware 4 for DHI, as well as serves as President of the Mid-South chapter.

Spec Rite is designed as a vehicle to provide information to Architects and Specification Writers to make them better informed and to make their job easier.

Published by National Guard Products
4985 E. Raines Road
Memphis, TN 38118
Phone: 1-800-647-7874
Fax: 1-800-255-7874
www.ngpinc.com