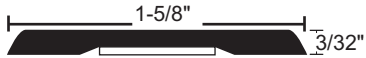


# NGP-Edge® Sealing System for Excessive Fire Door and Frame Clearances

UL Certified Solutions for Fire doors with Excessive clearance between door and frame over 1/8", up to 5/16"



**9200** Gray  
**9200DKB** Brown



Anti-Microbial protection proven up to 99% effective at killing a wide range of bacteria including MRSA and E-coli

## NGP-Edge® Intumescent Fire Seal

UL Certified Miscellaneous Fire Door Accessory for excessive door and frame clearances, measuring up to 5/16"

20 minute rated UL10B and UL10C wood or hollow metal fire doors

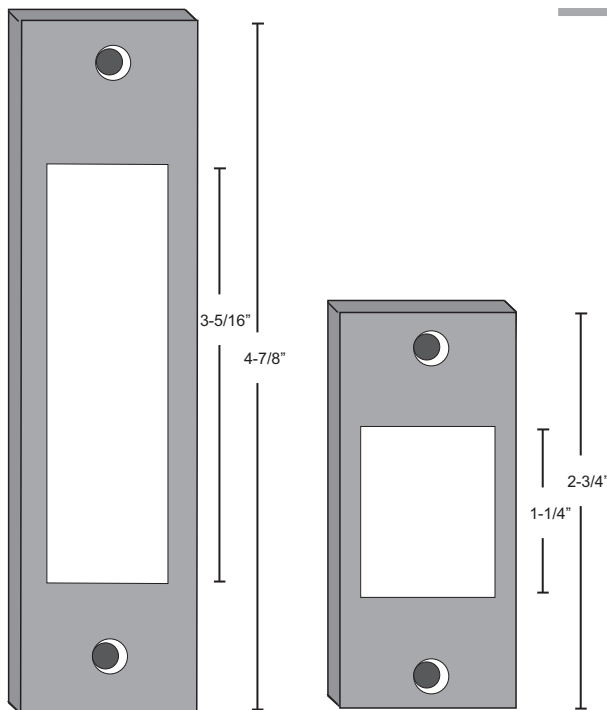
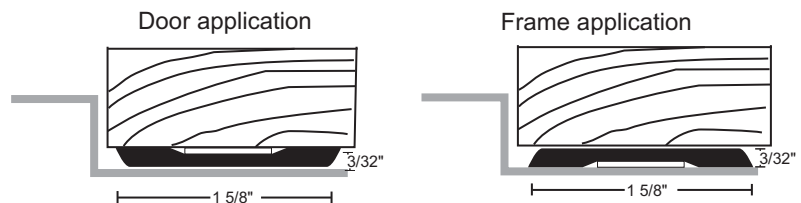
An NGP strike shim 9275 or 9225 is also required for proper latchbolt engagement.

Intumescent with PVC cover

Available in 36", 48", 84", 96" and 108" lengths

Self-Adhesive

See adhesive specifications on page G9



**9275** Gray Paint finish

**9225** Gray Paint finish

## Strike Shims

**9275 - Fits 4 7/8" 'ASA' Strike Plate**

**9225 - Fits 2 3/4" 'T' Strike Plate**

UL Certified Miscellaneous Fire Door Accessory for excessive door and frame clearances, measuring up to 5/16"

20 minute rated UL10B and UL10C wood or hollow metal fire doors

NGP 9200 self adhesive intumescent seal is also required where excessive clearance occurs at jambs and head.

## NGP-Edge® Sealing System for Excessive Fire Door Bottom Undercuts/Clearance

UL Certified Solutions for Fire doors with Excessive Door Bottom Clearances up to 1-1/2"

### NGP-Edge® Intumescent Door Shoes

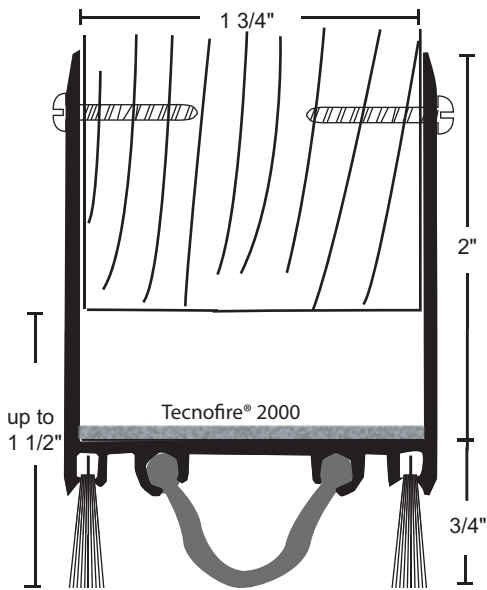
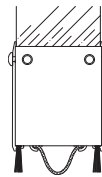
#### 9250 Series

UL Certified Miscellaneous Fire Door Accessory for excessive door bottom undercuts/clearances, measuring up to 1-1/2"

20 minute rated UL10B and UL10C wood or hollow metal fire doors

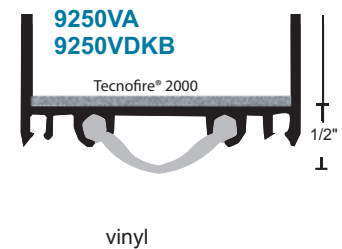
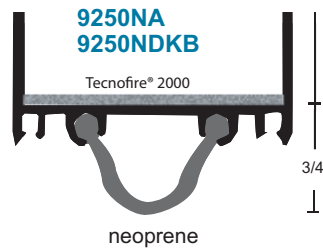
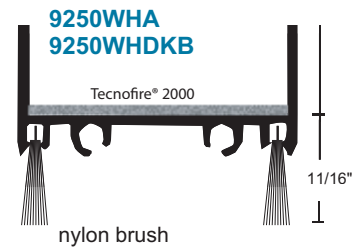
Restricts the passage of smoke

End caps available - sold separately



**9250NWA** neoprene & nylon brush  
**9250WHDKB** neoprene & nylon brush

#### Gasketing options:



#6 x 3/4" Stainless Steel SMS furnished.

**A-** anodized aluminum  
**DKB** - dark bronze

vinyl is gray  
neoprene is black  
thermoplastic is dark brown  
nylon brush is gray with anodized aluminum; black with DKB metal

